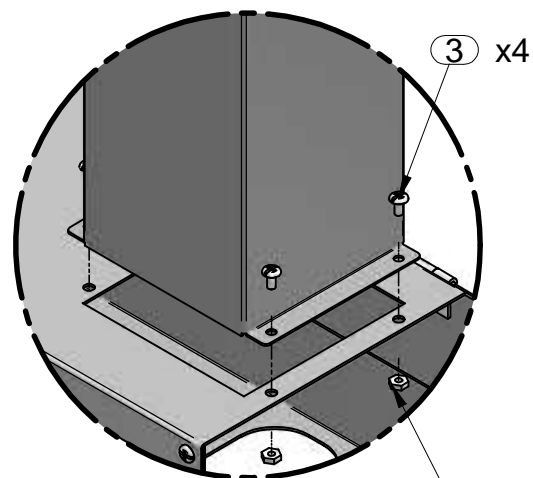
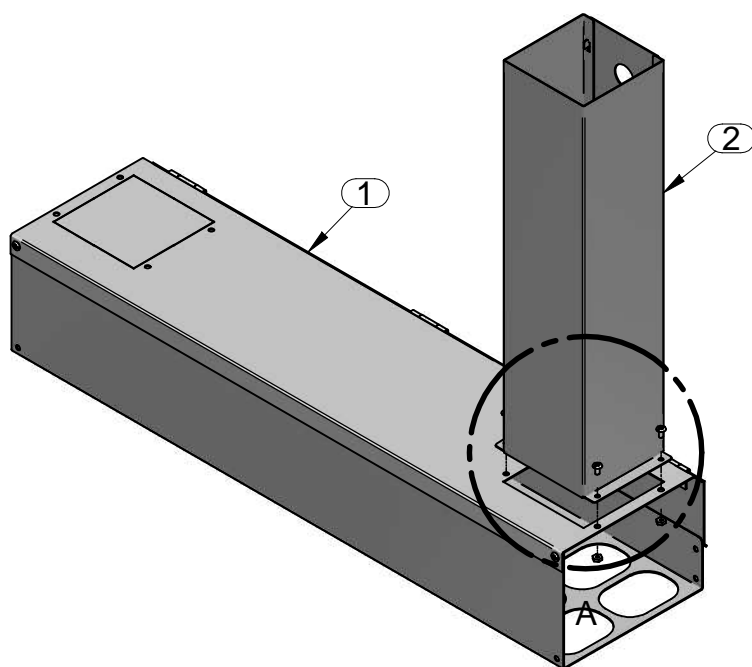




RR19TMD WITH KNOCKOUT REMOVED



DETAIL A

### ASSEMBLY INSTRUCTIONS:

- A) Remove square knockout from item #1. File down any sharp edges
- B) Line up mounting holes in item #2 and item #1. Fasten using 4 of item #3 and item #4. [See detail A]

### PARTS LIST

ITEM No.	DESCRIPTION	QTY
1	TOP CABLE MANAGER	1
2	CHIMNEY	1
3	SCREW 10-32 x 3/8"	4
4	10-32 KEP NUT	4

#### TOOL BOX



Phillips  
Screw Driver



Hammer



Striking  
Tool

