

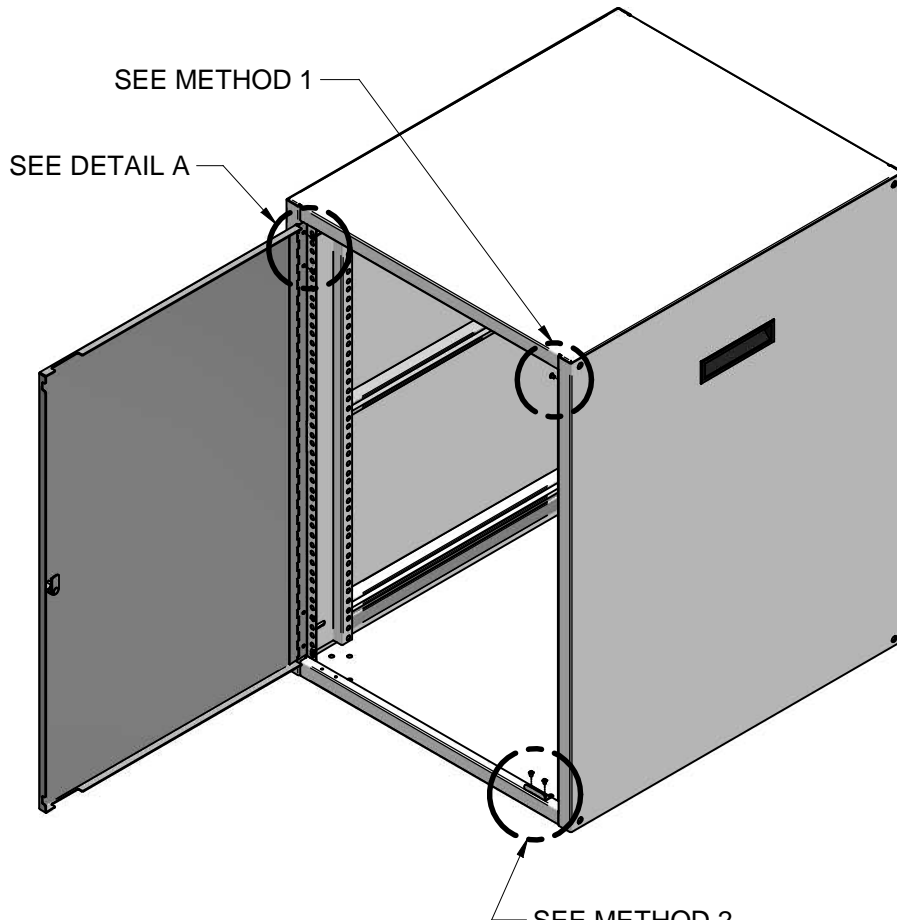
# RCHD - SERIES

## ASSEMBLY INSTRUCTIONS FOR RCHS DOOR

BUL10301

REV. C

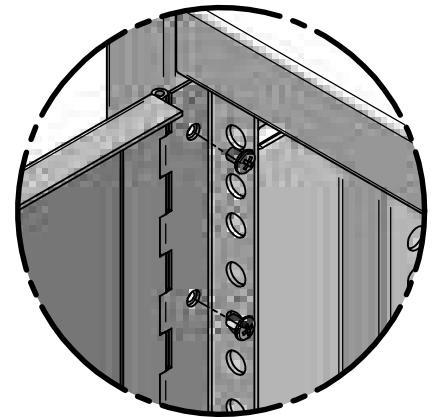
PAGE 1 OF 1



### NOTES:

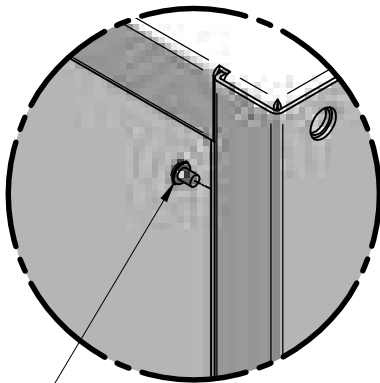
IF MOUNTING RAILS ARE POSITIONED FULLY TO THE FRONT/BACK THEN NO DOOR STOPS ARE REQUIRED!

THERE ARE 2 DOOR STOP METHODS DEPENDING ON CABINET AND DOOR REVISION LEVELS.



DETAIL A  
TYP TOP & BOTTOM

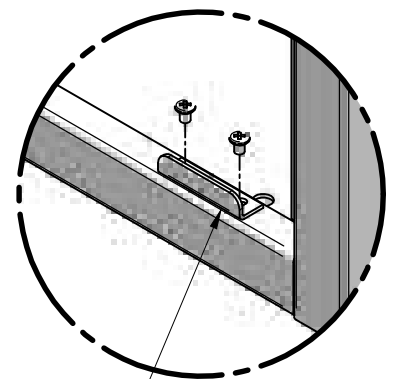
### METHOD 1 TYP TOP & BOTTOM



6-32 SCREWS CAN BE USED AS DOOR STOPS. LOCATE ONE AT THE PREPUNCHED HOLE AT THE VERY TOP AND BOTTOM.

SEE METHOD 2  
(CAN ONLY BE USED WHEN FRAME HAS PREPUNCHED HOLES AND DOOR IS NOTCHED FOR BRACKET)

### METHOD 2 TYP TOP & BOTTOM



WHERE HOLES EXIST ON FRAME AND NOTCHES ON DOOR, THEN THIS METHOD MAY BE USED AS THE DOOR STOP.

TOOL BOX



Phillips  
Screw Driver



**HAMMOND**  
**MANUFACTURING™**  
ELECTRONICS GROUP

visit our website @ [www.hammondmfg.com](http://www.hammondmfg.com)