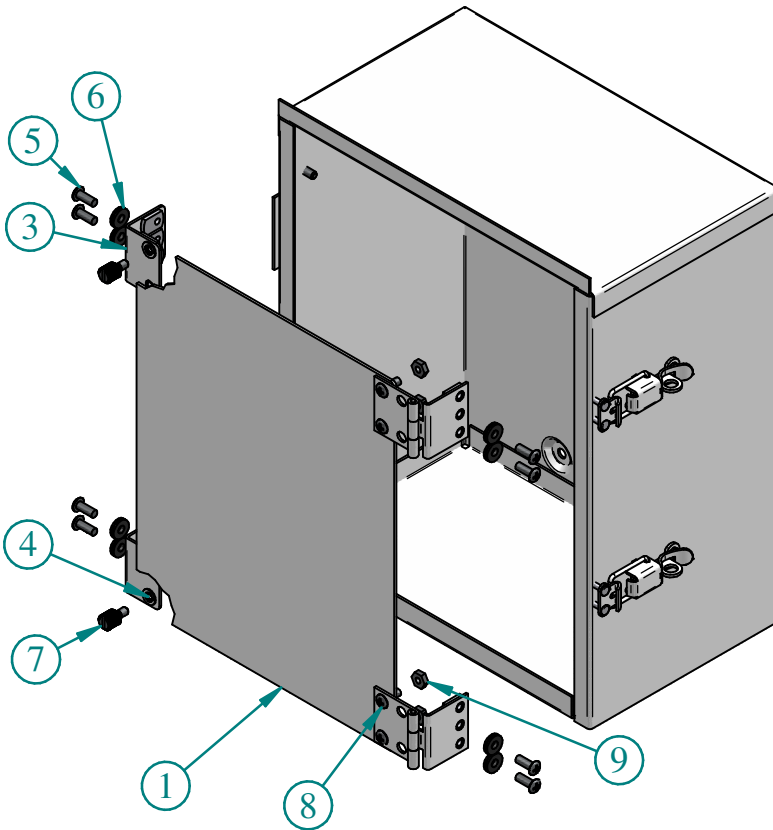


# SPB1 SERIES

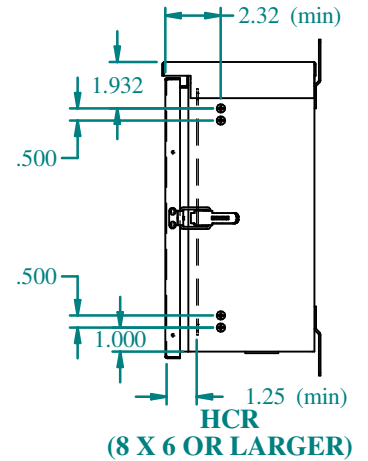
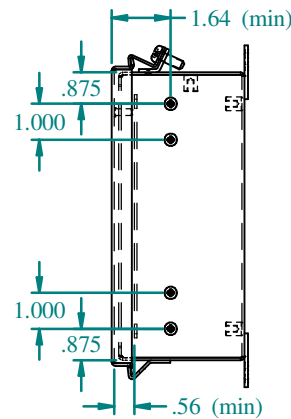
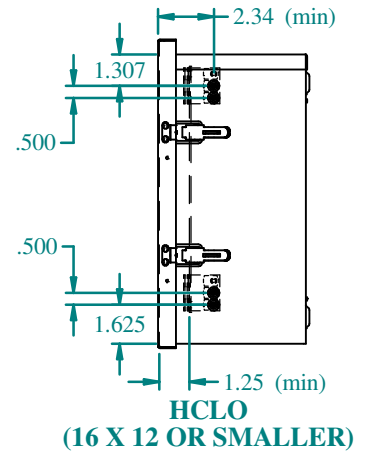
BUL10318

REV C

## ASSEMBLY INSTRUCTIONS FOR SWING PANEL



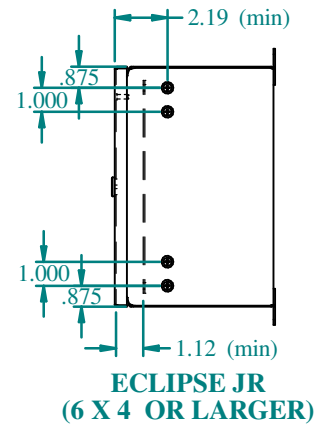
### DRILL DETAIL



**NOTE:** - To maintain Type 12 & 4 rating, sealing washers must be used.  
- Panels must be ordered separately.  
- Data subject to change without notice.

### ASSEMBLY INSTRUCTIONS

- Swing panel may be hinged on either side of the enclosure. Determine mounting position and drill .218(5.5mm) Dia. holes as shown in drill detail.
- Mount hinges and brackets using 10-32 screws with supplied sealing washers. (Parts 5 and 6).
- Mount swing panel to hinges using two 10-32 screws and Kep nuts. (Parts 8 and 9). Make sure swing panel swings freely through the door opening.
- Attach Thumb screws to the panel using Pushnuts. (Parts 4 and 7)
- Drill two .265(6.7mm) holes in swing panel and install extra 10-32 screws and Kep nuts (Parts 8 and 9) per hinge as shown.



ITEM #	QTY	DESCRIPTION
1	1	SWING PANEL
2	2	HINGE BRACKET
3	2	FIXED BRACKET
4	2	5/16" PUSHNUT
5	8	10-32 SCREW
6	8	10-32 SEALING WASHER
7	2	10-32 THUMB SCREW
8	4	10-32 SCREW
9	4	10-32 KEP NUT

