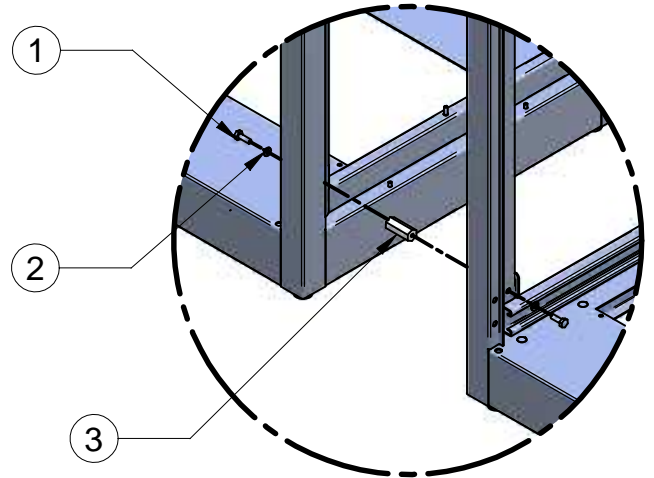


SEE DETAIL "A"

SEE DETAIL "B"



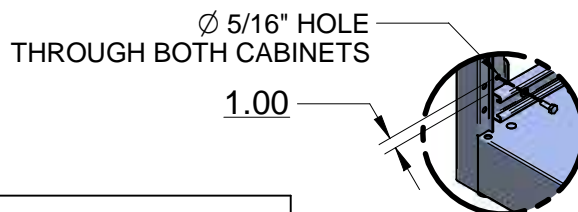
DETAIL A

INSTRUCTIONS:

- 1) BEGIN BY INSTALLING ALL 6 SPACERS TO ONE CABINET THROUGH EXISTING HOLES ON FRAME USING HARDWARE SUPPLIED.
- 2) PUSH THE 2nd CABINET INTO POSITION NEXT TO THE 1st CABINET AND FASTEN TO THE SPACERS WITH THE REMAINING HARDWARE.

| ITEM | QTY | DESCRIPTION |
|------|-----|----------------------------|
| 1 | 12 | 1/4-20 HEX BOLT |
| 2 | 12 | 1/4 SPLIT WASHER |
| 3 | 6 | 1/4-20 THREADED HEX SPACER |

NOTE: THERE HAS BEEN A DESIGN CHANGE THAT MAY AFFECT THE GANGING OF CERTAIN CABINETS. THERE IS THE POSSIBILITY THAT GANGING HOLES IN THE TOP AND BOTTOM DO NOT LINE UP OR ARE NOT PRESENT. IF THIS IS THE CASE SIMPLY DRILL A 5/16" DIA. HOLE APPROX 1" FROM THE "C" CHANNEL THROUGH BOTH CABINETS IN THE SAME LOCATION TOP AND BOTTOM AND ASSEMBLE AS SHOWN.



DETAIL B

