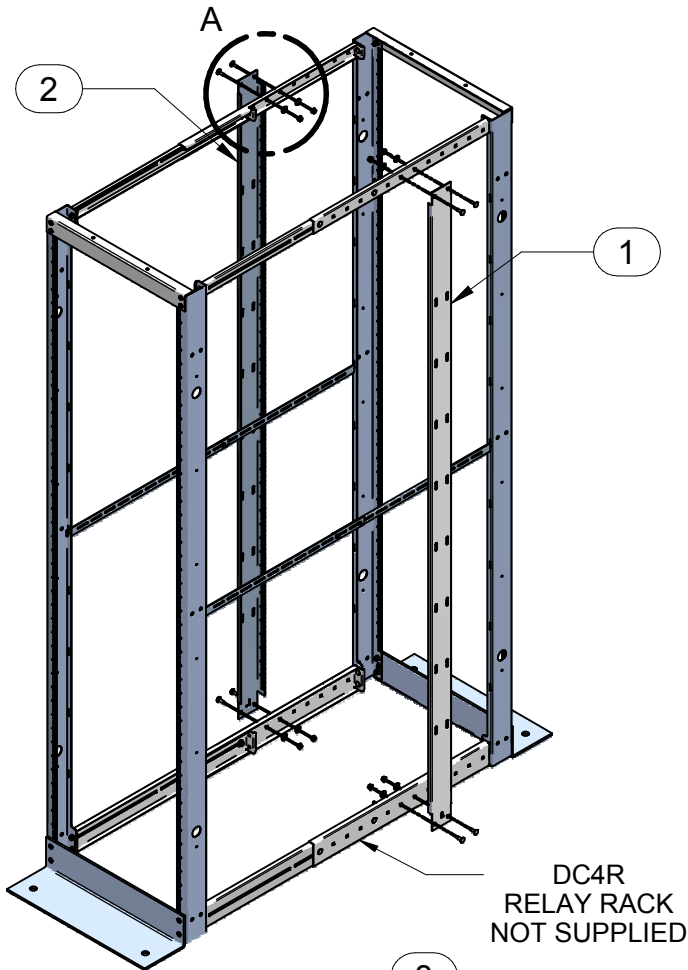


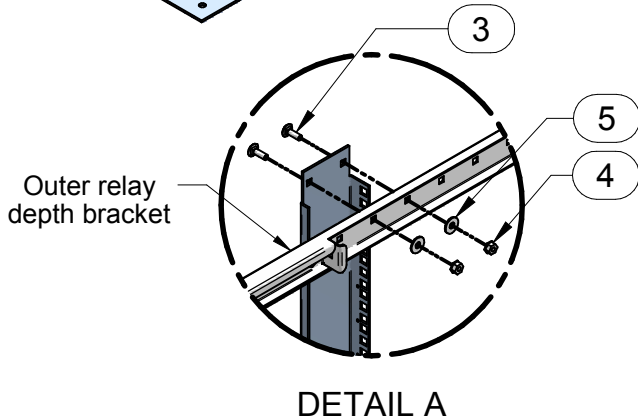
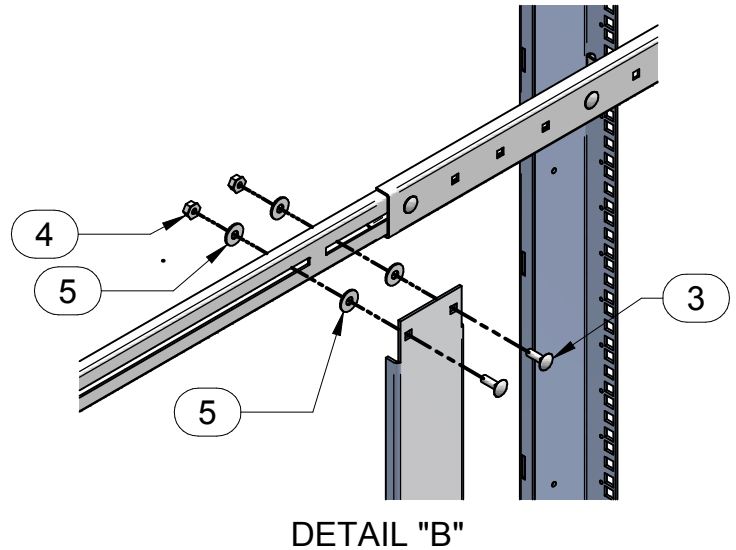
DC4RPR

ASSEMBLY INSTRUCTIONS FOR 4 POST RELAY RACK ADJ. RAILS

BUL10396
REV. C
PAGE 1 OF 1



WHEN MOUNTING TO INNER
RELAY RACK DEPTH BRACKET



ASSEMBLY INSTRUCTIONS:

- A) Attach adjustable rails (Item 1 & 2) at desired location on each outer relay rack depth bracket using the supplied hardware (Item 3, 4 & 5). Do not tighten bolts completely until all 4 bolts are installed (See Detail A).
- B) If rails are to be installed on inner relay rack depth bracket, insert a washer (Item 5) between the rail and inner relay depth bracket (See Detail B).
- C) Tighten all hardware.

PARTS LIST

ITEM No.	DESCRIPTION	QTY
1	DC4RPR - L.H. Adjustable Rail	1
2	DC4RPR - R.H. Adjustable Rail	1
3	1/4-20 X 3/4 Carrage Bolt	8
4	1/4-20 Kep Nut	8
5	Washer	16

TOOL BOX



7/16 Socket
Driver



HAMMOND
MANUFACTURING™
ELECTRONICS GROUP

visit our website @ www.hammondmfg.com