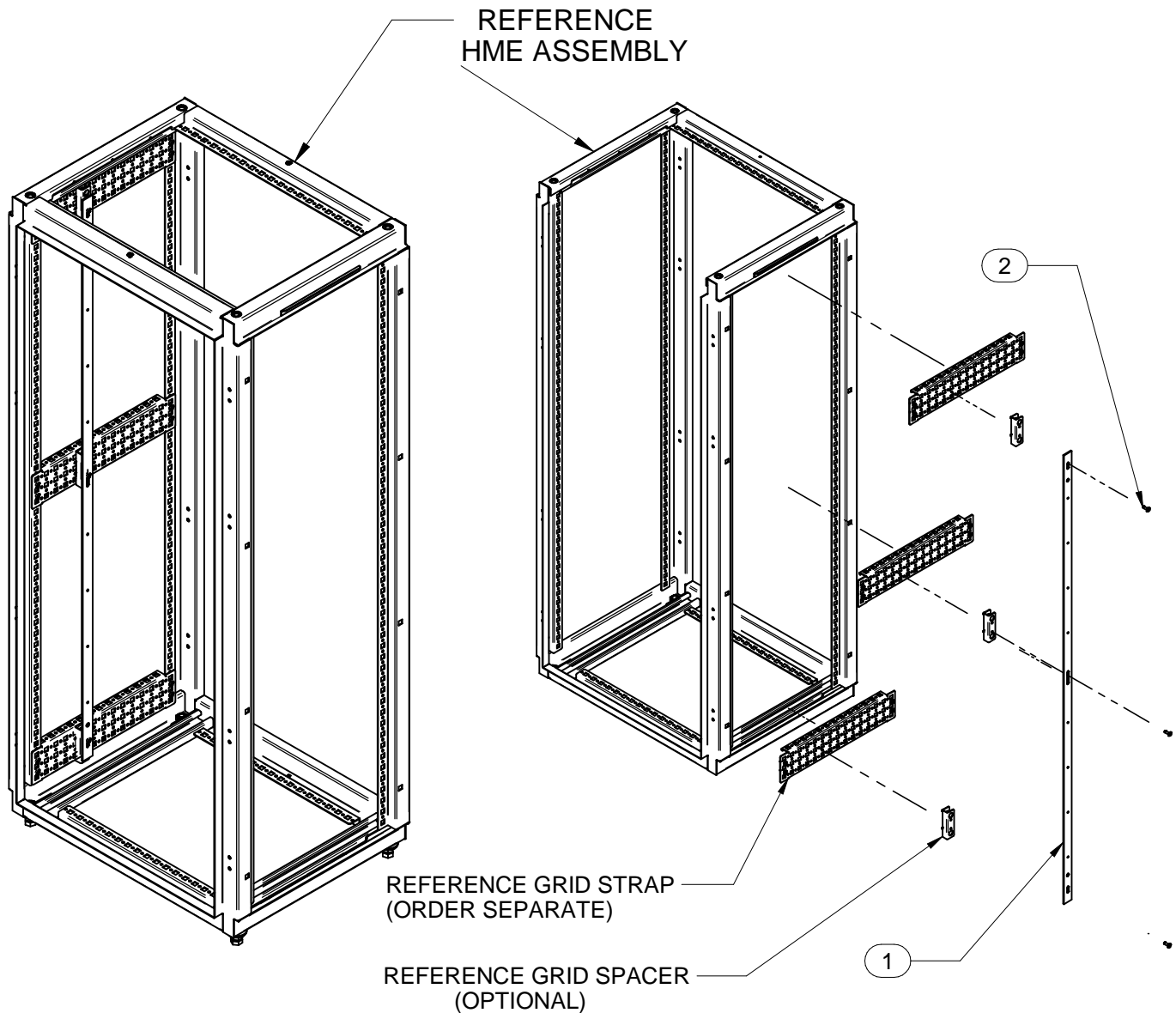


# GRDBARV- SERIES

BUL10427

REV. A

## ASSEMBLY INSTRUCTIONS FOR GRDBAR - HME GROUND BAR



### ASSEMBLY INSTRUCTIONS:

A) Install a 3U grid strap to either of the top two mounting locations on the HME frame. If using the 1U grid strap, you must use the second mounting location from the top

B) Fasten the vertical bus bar to the grid strap, but do not tighten all the way

C) Allow vertical bus bar to hang, and align the other two grid straps with the remaining slots on the vertical bus bar. Once aligned, secure the vertical bus bar to the straps and the straps to the HME frame. Align bus bar vertically as required and tighten all screws.

### GRDBARV PARTS LIST

ITEM No.	DESCRIPTION	QTY
1	VERTICAL GROUND BAR	1
2	#12X1/2 SCREW	3

TOOL BOX



Phillips  
Screw Driver



**HAMMOND**  
**MANUFACTURING™**  
www.hammondmfg.com