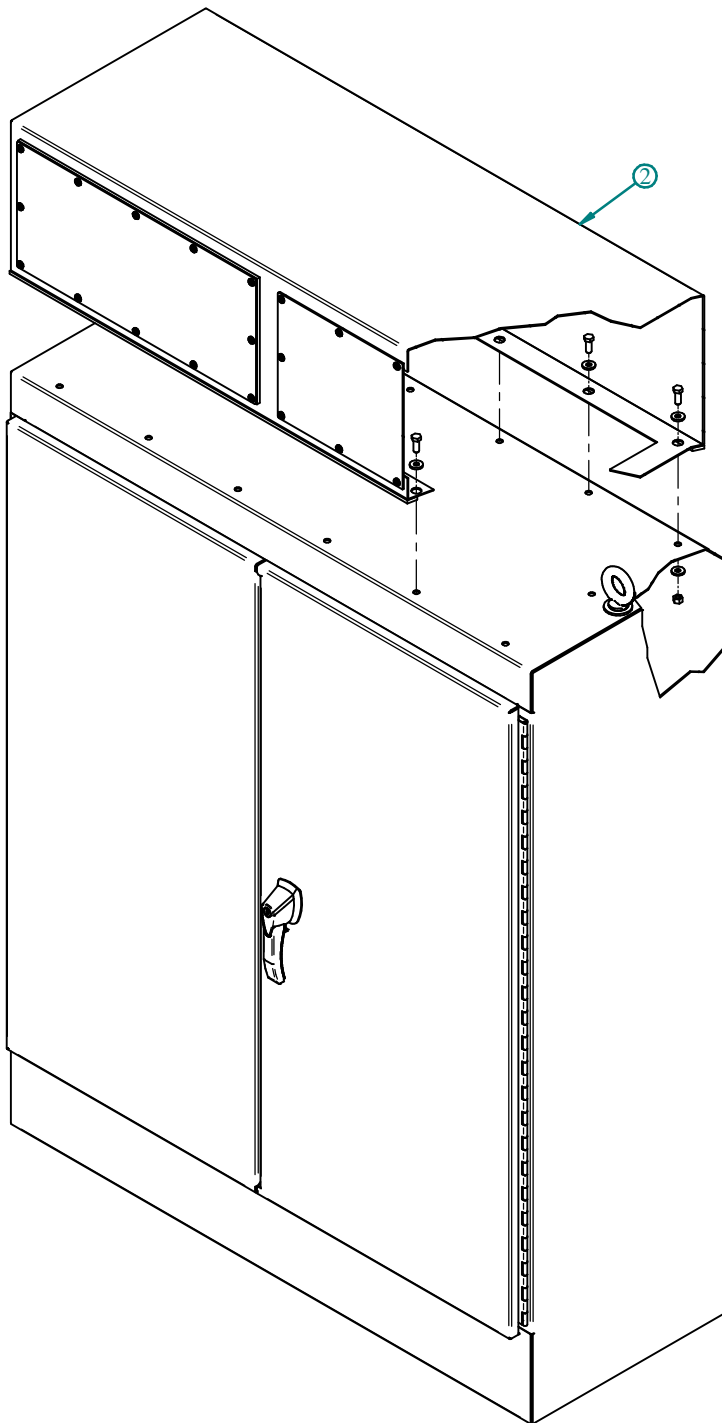


# HTH - SERIES

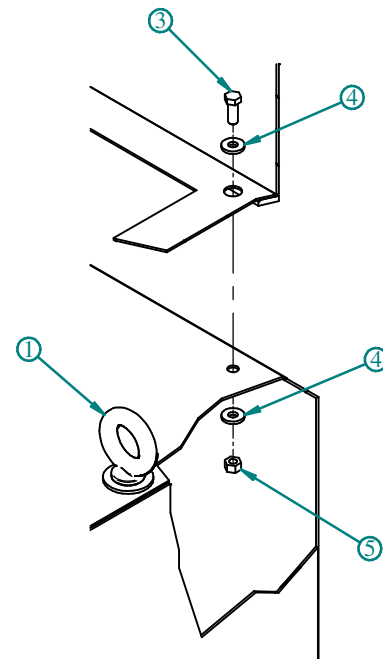
BUL86883

REV. A

## INSTALLATION INSTRUCTION FOR LARGE BOX TOP HATS



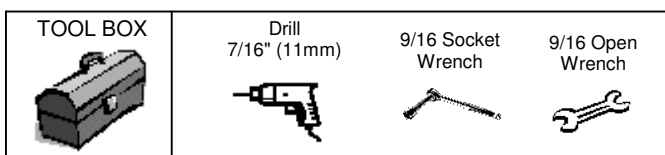
ISOMETRIC VIEW



DETAIL VIEW

### ASSEMBLY INSTRUCTIONS:

- A) Remove eyebolts from top of enclosure. (Item 1)
- B) Install HTH unit (Item 2) and use provided holes as a drilling template. Drill 7/16" dia. holes.
- C) Assemble HTH unit using provided screws (Item 3), sealing washers (Item 4), & nuts (Item 5)



 **HAMMOND  
MANUFACTURING.**  
www.hammondmfg.com