

DATA CONFIGURATION
(FRONT VIEW)

SERVER CONFIGURATION
(REAR VIEW)

ITEM NUMBER	DESCRIPTION	DATA CONFIG.	SERVER CONFIG.
1	PLEXI DOOR	1	0
2	PERF. BARN DOORS (PAIR)	0	1
3	PERF. DOOR	1	1
4	FAN CUTOUT TOP	1	1
5	MOUNTING RAILS (PAIR)	2	2
6	VERTICAL CABLE MANAGER	1	2
7	SIDE PANELS (PAIR)	1	1



IMPORTANT SAFETY CAUTIONS

NOTE: Read all instructions before installing and using the product.



Installation and assembly must be performed by qualified personnel.



Ensure that the floor/wall structure is able to withstand the weight of the cabinet while fully loaded.



Route all chords and cables away from moving parts and all possible pinch points.



Ensure unit is plumb and level for proper operation.



Always fully mount and secure enclosure or rack system before loading equipment.



Evenly distribute all mounted loads and equipment to ensure stability within the system.



To reduce risk of personal injury and product damage always ensure a sufficient amount of personnel are present when loading, unloading, and moving the enclosure or rack system.



The following parts are not effectively bonded to the Protective Earth Terminal (PET): Doors, Rails, Side Panels, Top and Bottom Panels. If any part needs to be bonded to the PET it shall be done in accordance with Article 250 of the National Electric Code.



Suitable for mounting on concrete or other noncombustible surface only.

LOADING RACK SYSTEM

NOTE: When loading equipment into the enclosure or rack system ensure weight is distributed so that heavier loads are placed towards the bottom of the rack to avoid unstable conditions.

Maximum Weight Capacity: 3000 lb

IBC 2012 Zone 4 Seismic Rating: 1000 lb

NOTE: Seismic weight load rating is only applicable when the rack has been secured using the seismic bolt down kit: C4K-Z4



GROUNDING AND BONDING INSTRUCTIONS

1 Included within optional grounding kit (GRDKIT01):



4 x 1/4-20
Locking Nut



4 x 1/4-20
Slotted Screw
Pan Head



4 x 1/4"
Flat Washer



4 x 10-32
Locking Nut



4 x 10-32
Phillips Screw
Pan Head



4 x #10
Flat Washer



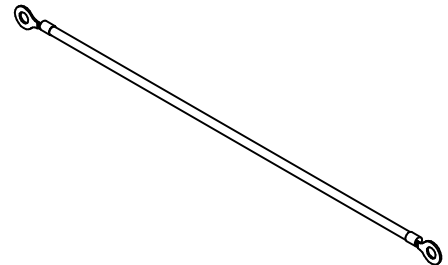
6 x 1/4-20
Thread Cutting
Screw



4 x 1/4"
Tooth Lock
Washer



4 x #10
Tooth Lock
Washer



2 x Bonding Wire
10 Gauge
1/4" Ring Terminals

NOTE: PROTECTIVE EARTH TERMINALS (PET) ARE LABELLED WITH THE PROPER SYMBOL SHOWN IN FIGURE 1 AND ARE THE ONLY TERMINALS TO WHICH THE PROTECTIVE EARTH GROUND CONNECTION SHALL BE ATTACHED TO.



FIGURE 1

NOTE: ALL PROTECTIVE EARTH AND BONDING CONNECTIONS SHALL BE IN ACCORDANCE WITH ARTICLE 250 OF THE NATIONAL ELECTRIC CODE.



2

Main Protective Grounding

When grounding the rack system or enclosure it is essential that the main protective ground is connected and secured first with its own nut before any bonding connections are made on top. (Figure 2)

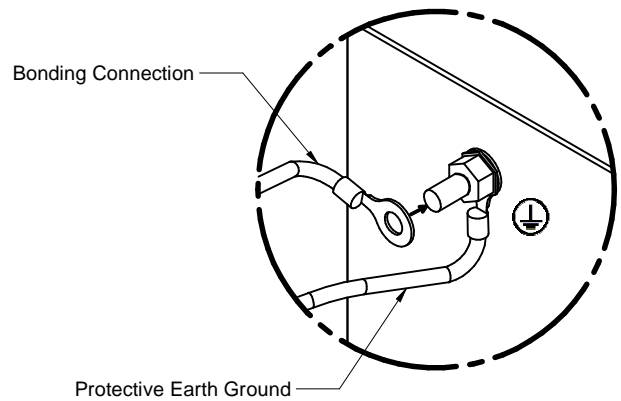


Figure 2

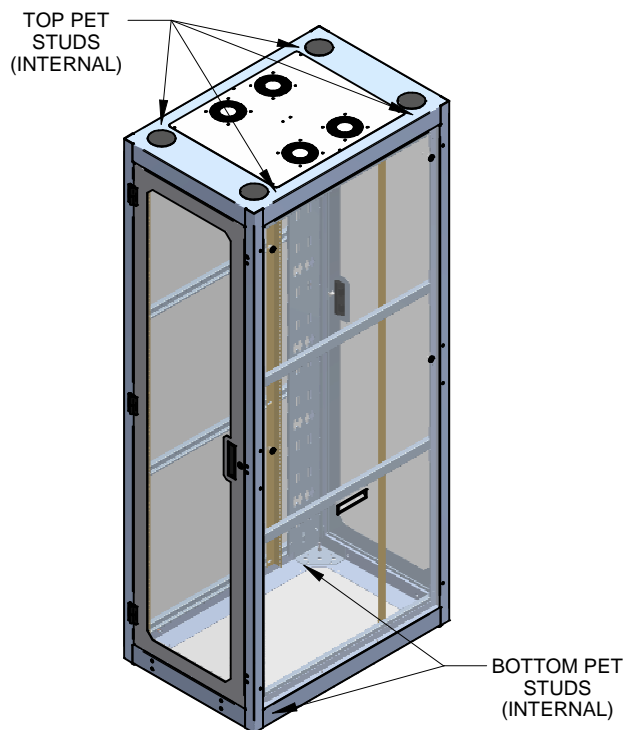
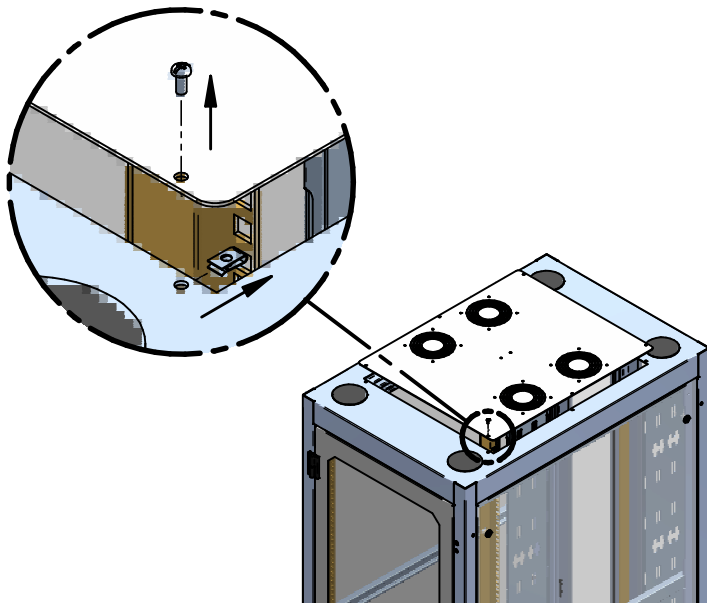
3

Bonding Instructions

Side Panels: Attach bonding wire found in ground kit to a bonding stud on the side panel using the ring terminal and hardware provided. Attach opposite end of wire to the nearest PET on the rack frame.

Doors: Attach bonding wire to the door stud using the same method described previously. Attach the opposite end to the nearest front section bonding stud.

Top and Bottom Panels: Remove one clip nut from the frame along with the corresponding screw. Replace with thread cutting screw, ensuring it penetrates both the panel and the frame.



DATA CONFIGURATION

