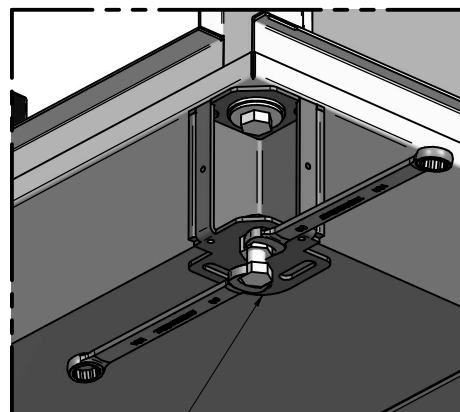
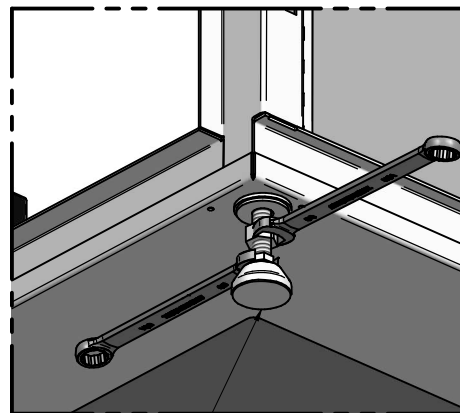
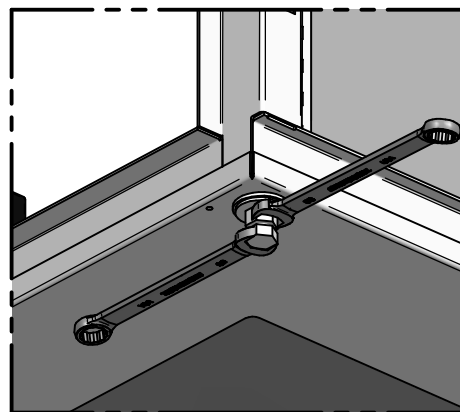
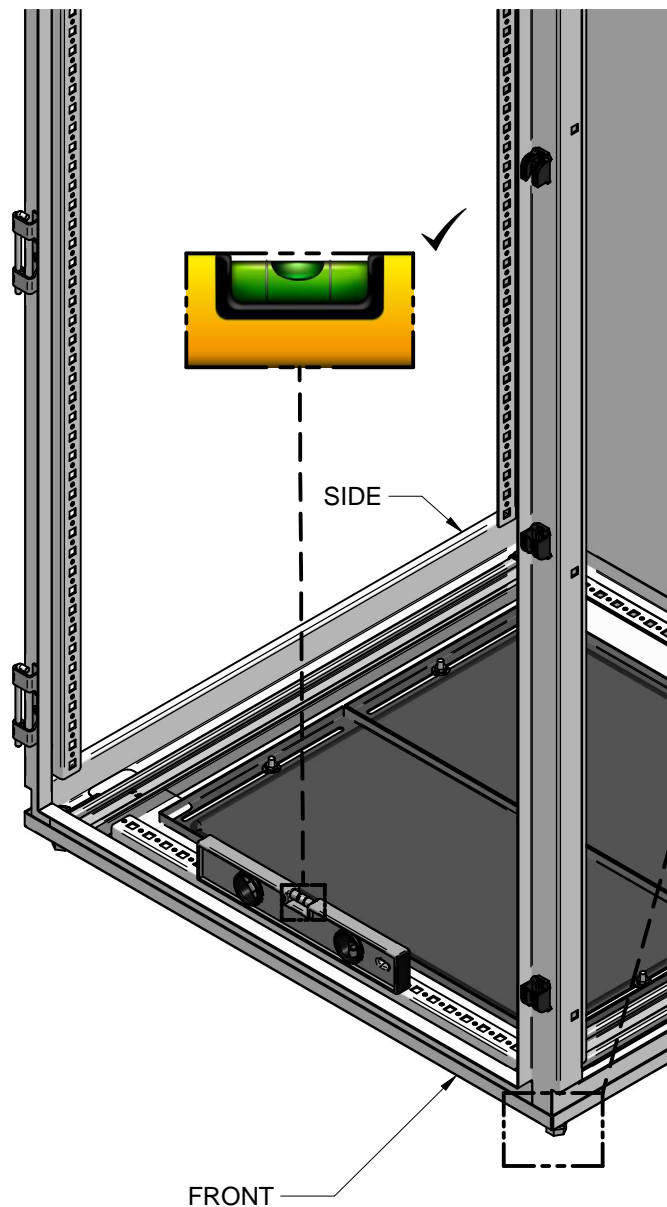


1

HOLD BOLT IN PLACE
LOOSEN UPPER NUT
ADJUST HEIGHT UNTIL LEVEL
RE-TIGHTEN UPPER NUT AFTER ADJUSTING



*NOTE: SAME METHOD OF LEVELLING APPLICABLE
WHEN USING PLINTH OR LEVELLING FEET

TOOL BOX



BOÎTE À OUTILS



2X

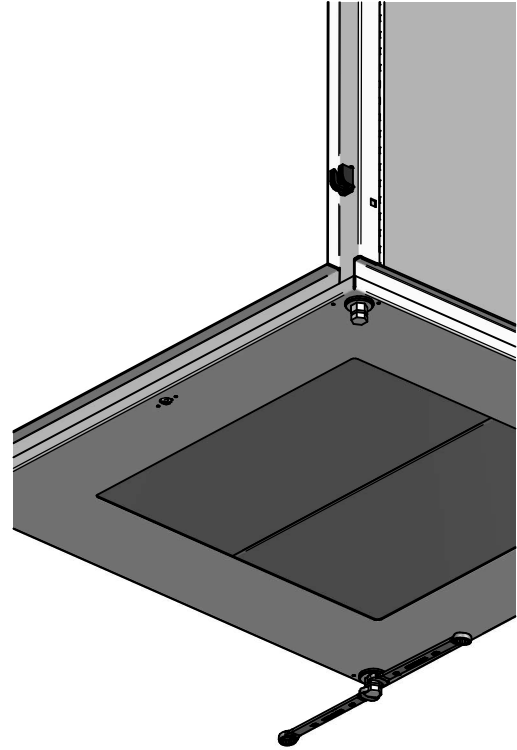
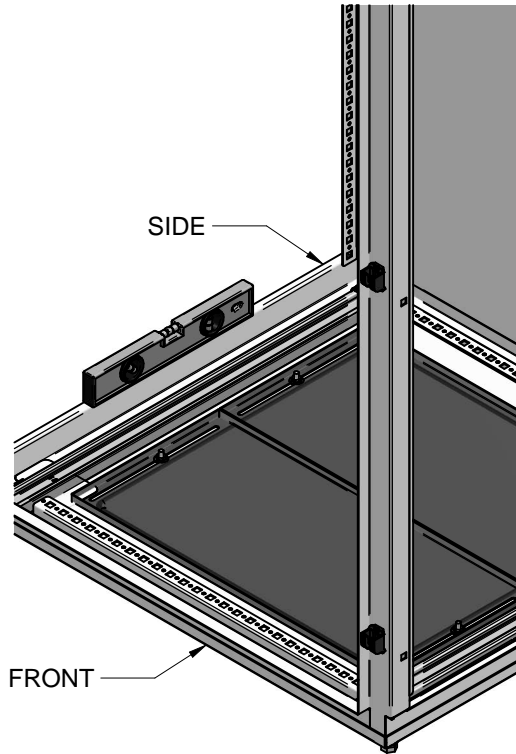
3/4"



visit our website: www.hammondmfg.com
visitez notre site Web:

REPEAT LEVELLING STEPS ON
LEFT AND RIGHT SIDES OF THE CABINET

2



3

