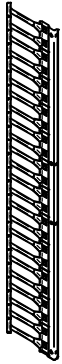


PARTS LIST

LISTE DES PIÈCES



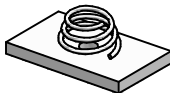
ITEM 1
FINGER MANAGER
QTY 2



ITEM 2
10/32 X 3/8 SCREW
QTY 4



ITEM 3
1/4-20 X 5/8 SCREW
QTY 4



ITEM 4
SPRING NUTS
QTY 4



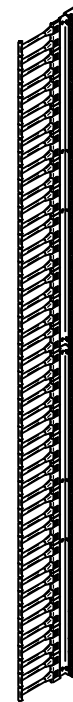
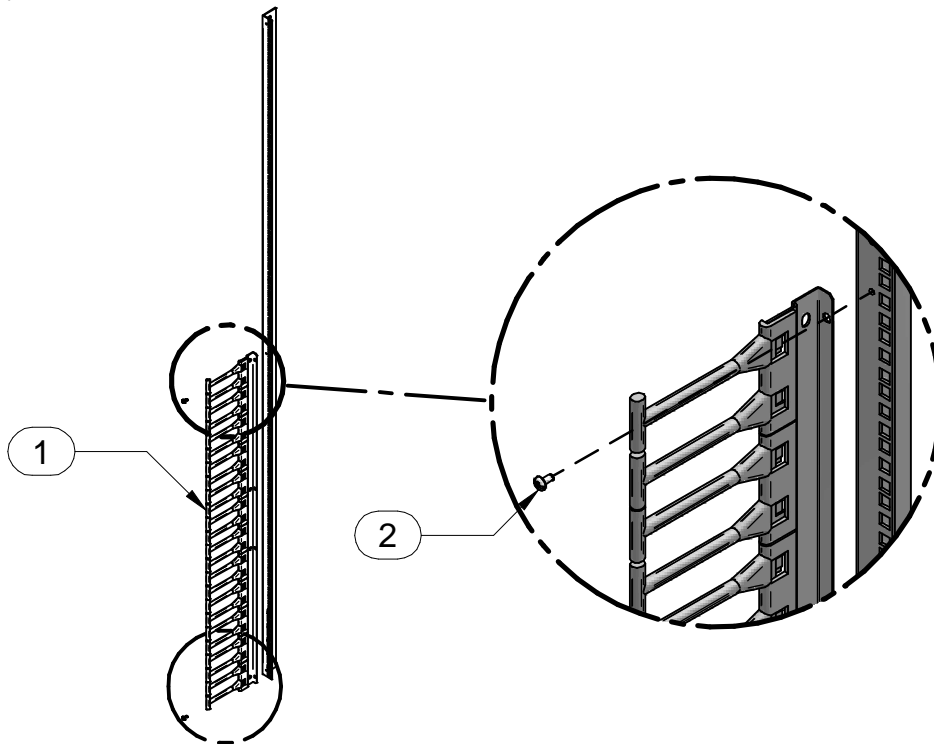
ITEM 5
SPLIT LOCK WASHER
QTY 4



ITEM 6
FLAT WASHER
QTY 4

1

RAIL MOUNTING



TOOL BOX



BOÎTE À OUTILS



HAMMOND
MANUFACTURING®

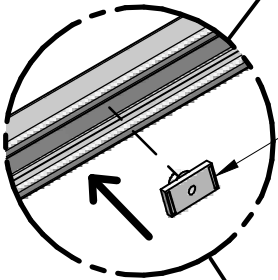
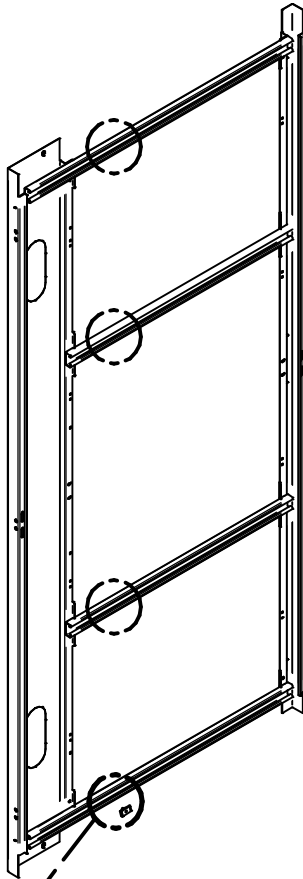
visit our website:

visitez notre site Web:

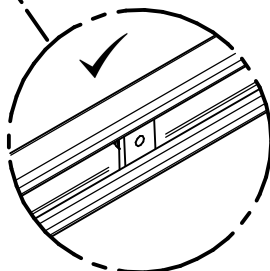
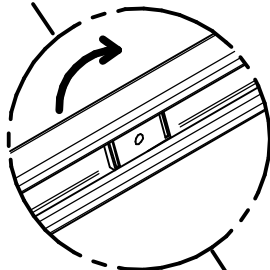
www.hammondmfg.com

STRUT MOUNTING

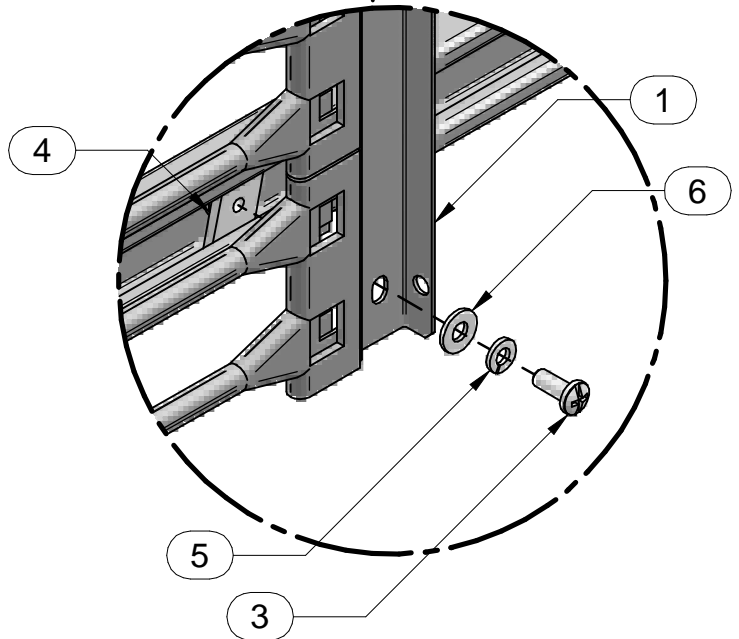
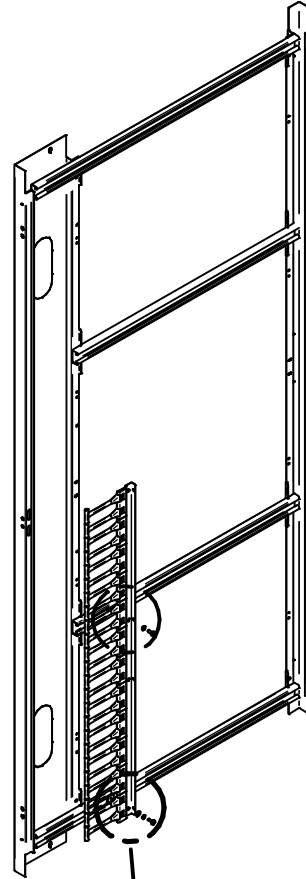
1



4



2



STRUT MOUNTING

