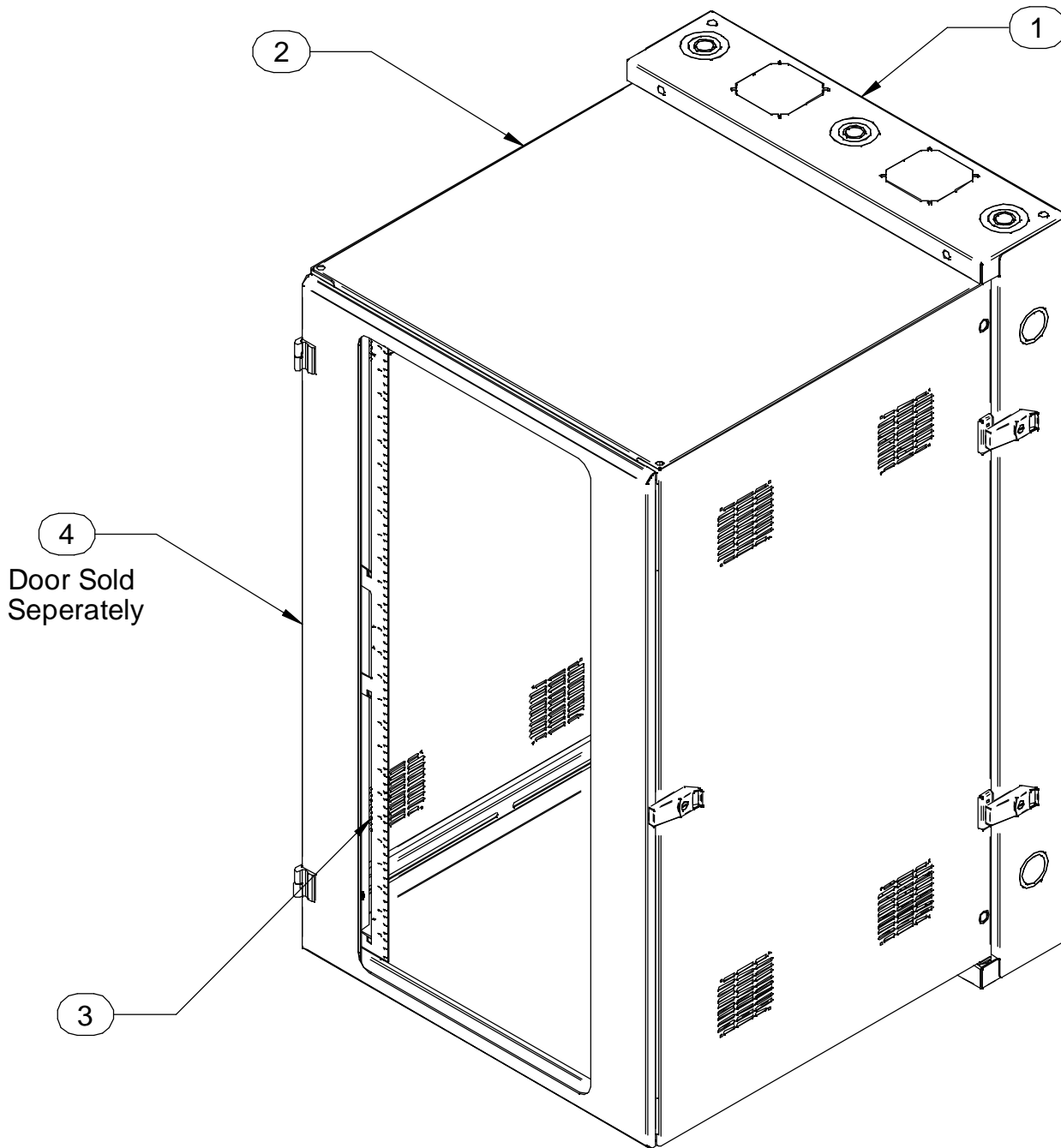


HWC - SERIES

INSTRUCTIONS FOR HWC

BUL87423
REV. C
PAGE 1 OF 9



Item Number	Title	Quantity
1	HWC - REAR MOUNT ASSY	1
2	HWC - CENTRE SECTION	1
3	HWC RAIL - TAPPED	2
4	HWC - WINDOW DOOR ASSY	1



HAMMOND
MANUFACTURING®

visit our website:
visitez notre site Web: www.hammondmfg.com

IMPORTANT SAFETY CAUTIONS

NOTE: Read all instructions before installing and using the product.



Installation and assembly must be performed by qualified personnel.



Ensure that the floor/wall structure is able to withstand the weight of the cabinet while fully loaded.



Route all cords and cables away from moving parts and all possible pinch points.



Ensure unit is plumb and level for proper operation.



Always fully mount and secure enclosure or rack system before loading equipment.



Evenly distribute all mounted loads and equipment to ensure stability within the system.



To reduce risk of personal injury and product damage always ensure a sufficient amount of personnel are present when loading, unloading, and moving the enclosure or rack system.



The following parts are not effectively bonded to the Protective Earth Terminal (PET): Mounting rails, Mid Section, and Door. If any part needs to be bonded to the PET it shall be done in accordance with Article 250 of the National Electric Code.



Suitable for mounting on concrete or other noncombustible surface only.

LOADING RACK SYSTEM

NOTE: When loading equipment into the enclosure or rack system ensure weight is distributed so that heavier loads are placed towards the bottom of the rack to avoid unstable conditions.

Maximum Weight Capacity: 350 lb

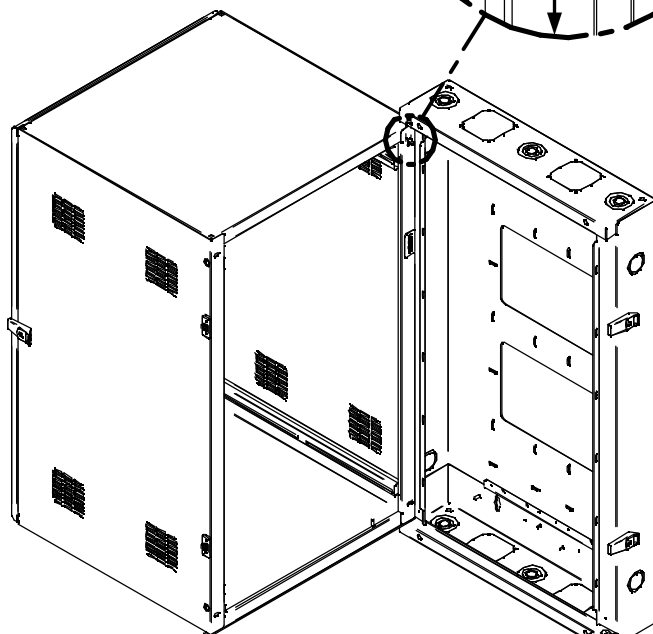
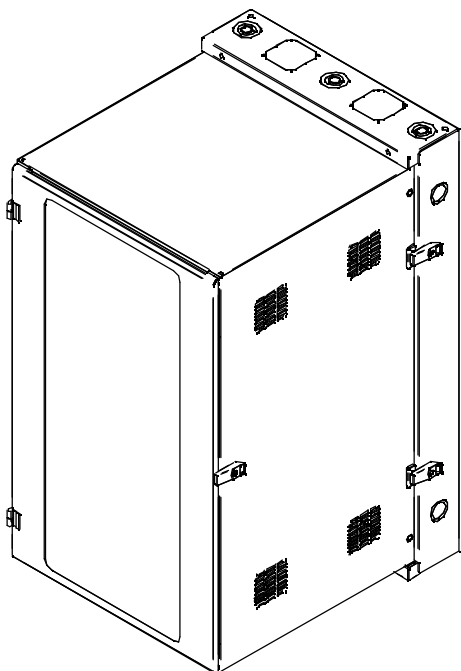
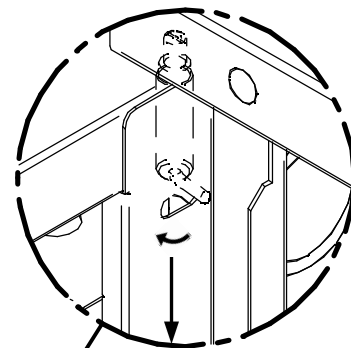


visit our website: www.hammondmfg.com
visitez notre site Web:

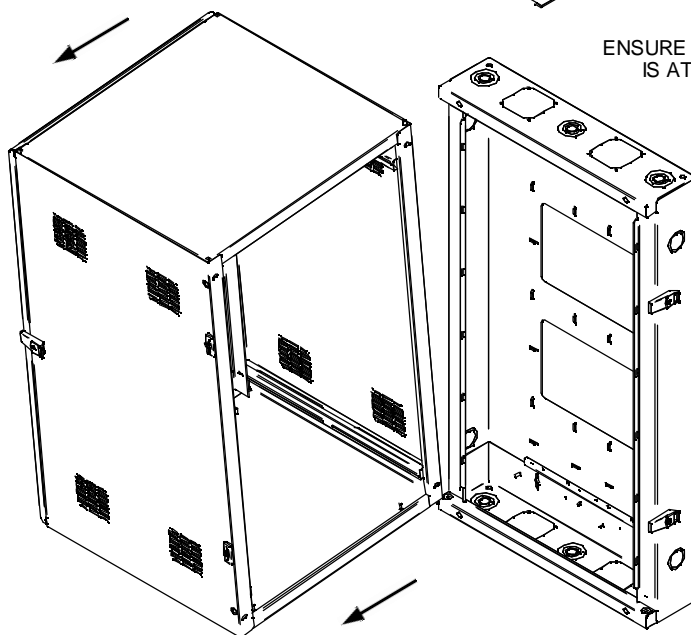
WALLMOUNT INSTRUCTIONS

1

OPTIONAL: Remove front section of wallmount to allow for an easier install.



ENSURE NYLON STRIP
IS AT BOTTOM



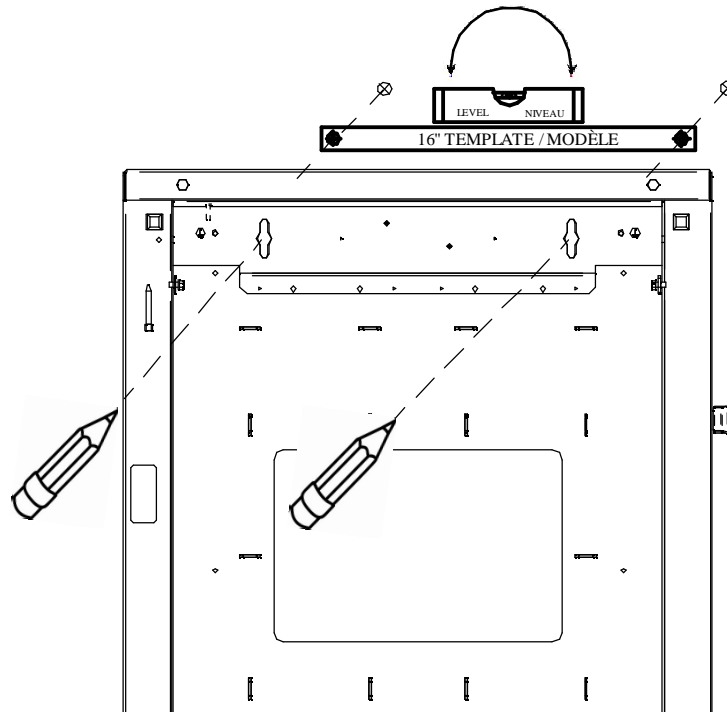
TOOL BOX



HAMMOND
MANUFACTURING®

visit our website:
visitez notre site Web: www.hammondmfg.com

2



3

ENGLISH

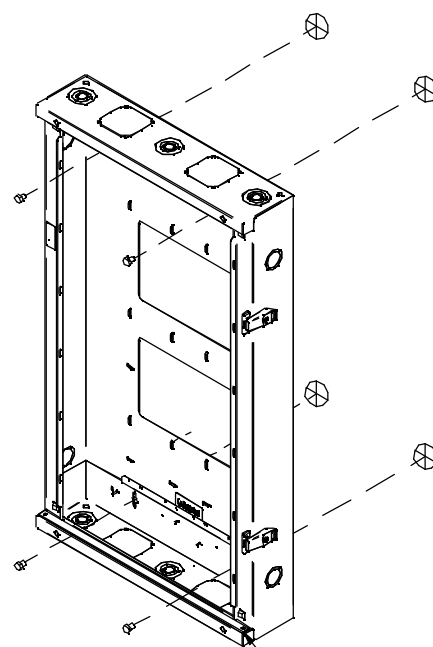
Different wall materials require different types of screws.

Mount back pan using 3/8" dia lag bolts and standard flat washers.

FRANÇAIS

Les différents matériaux de paroi murale nécessitent différents types de vis.

Monter l'arrière du boîtier à l'aide de tire-fond de 3/8 po de diamètre et de rondelles plates standard.



ENSURE NYLON STRIP
IS AT BOTTOM

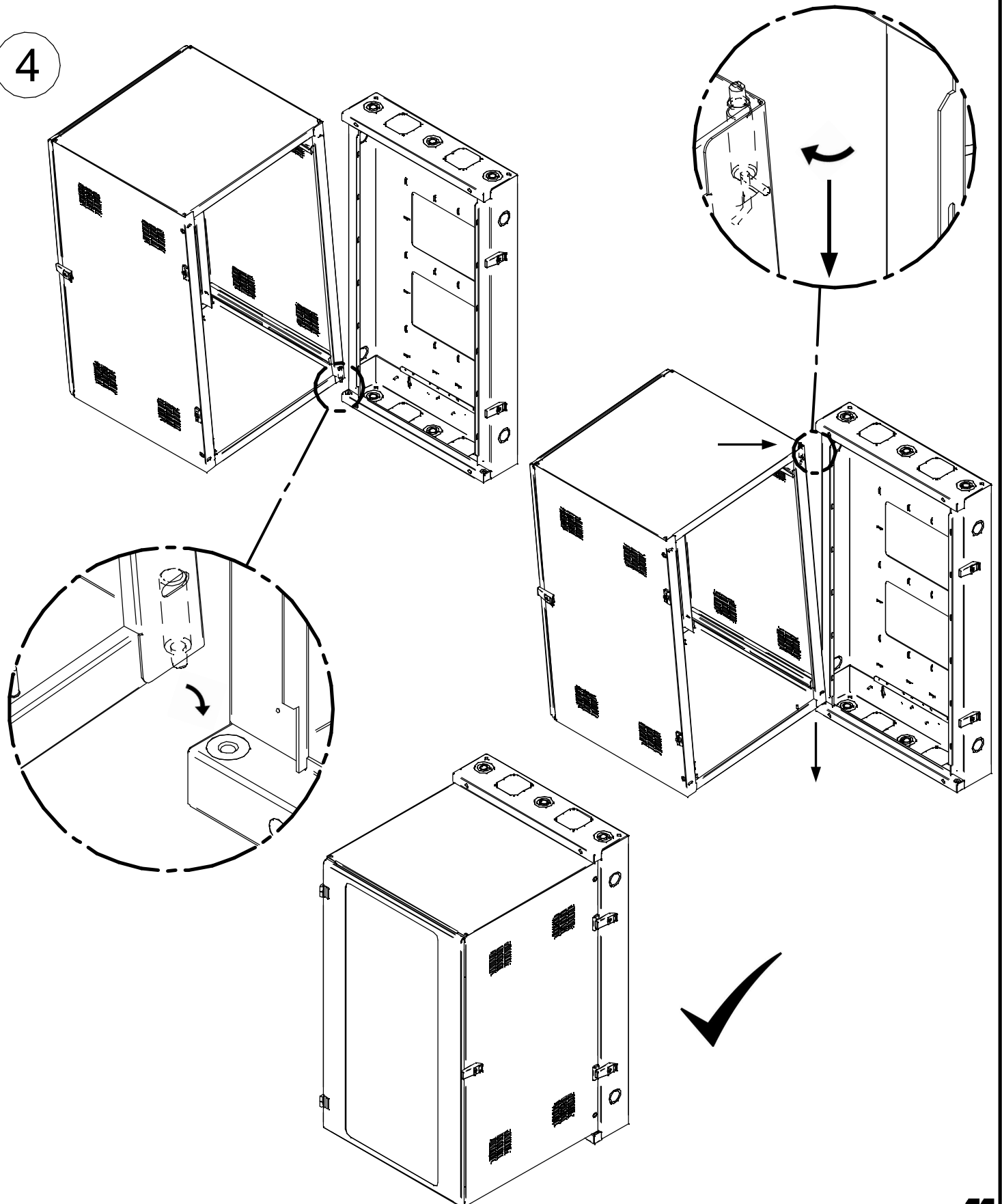


HWC - SERIES

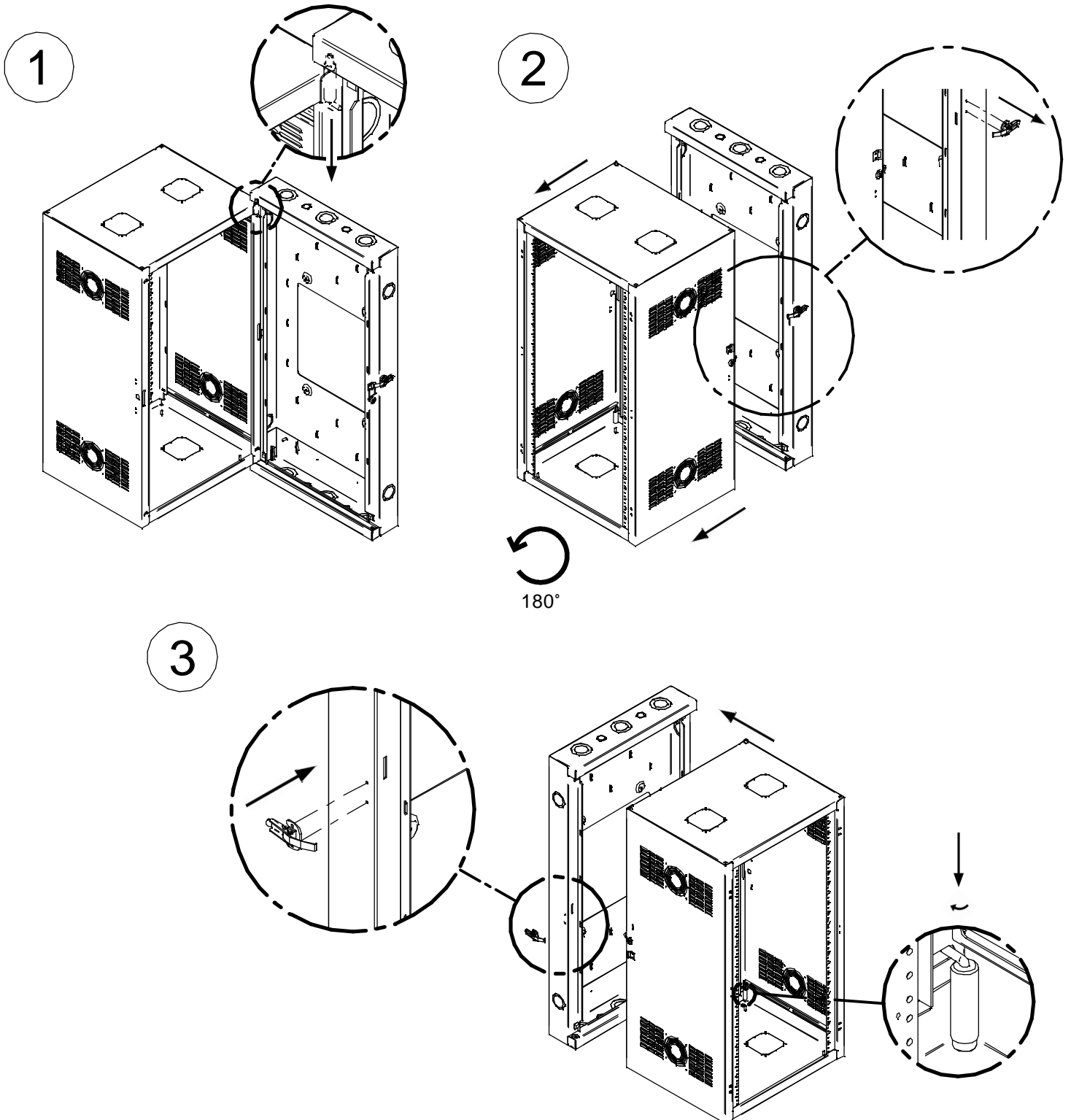
INSTRUCTIONS FOR
HWC

BUL87423
REV. C
PAGE 5 OF 9

4

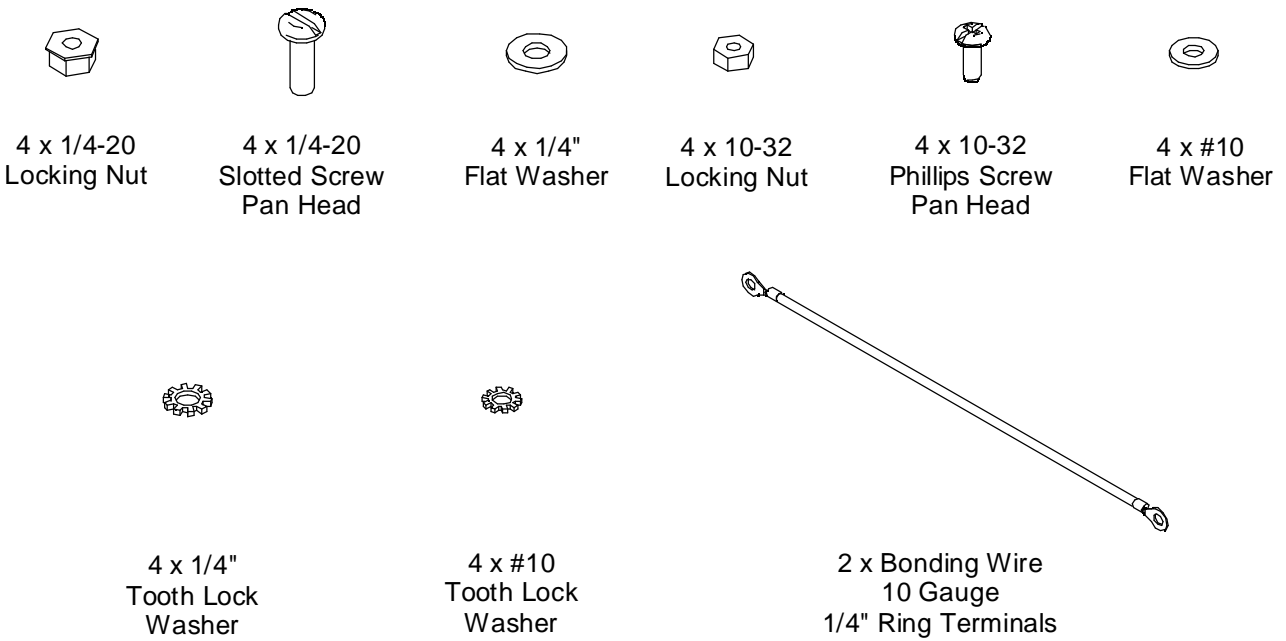


REVERSE MIDDLE SECTION INSTRUCTIONS



GROUNDING AND BONDING INSTRUCTIONS

1 Included within optional grounding kit (GRDKIT01):



NOTE: PROTECTIVE EARTH TERMINALS (PET) ARE LABELLED WITH THE PROPER SYMBOL SHOWN IN FIGURE 1 AND ARE THE ONLY TERMINALS TO WHICH THE PROTECTIVE EARTH GROUND CONNECTION SHALL BE ATTACHED.

NOTE: ALL PROTECTIVE EARTH AND BONDING CONNECTIONS SHALL BE IN ACCORDANCE WITH ARTICLE 250 OF THE NATIONAL ELECTRIC CODE.



FIGURE 1



2

Main Protective Grounding

When grounding the rack system or enclosure it is essential that the main protective ground is connected and secured first with its own nut before any bonding connections are made on top. (Figure 2)

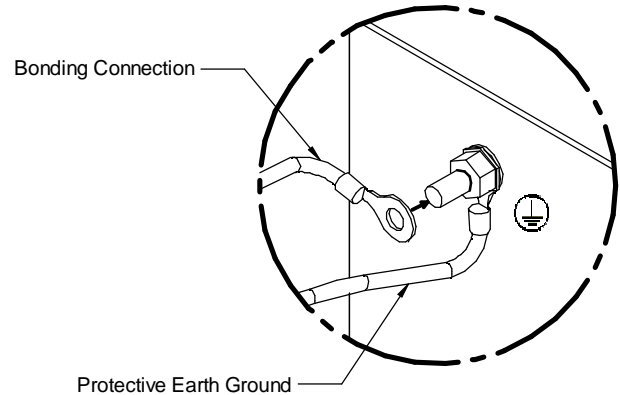


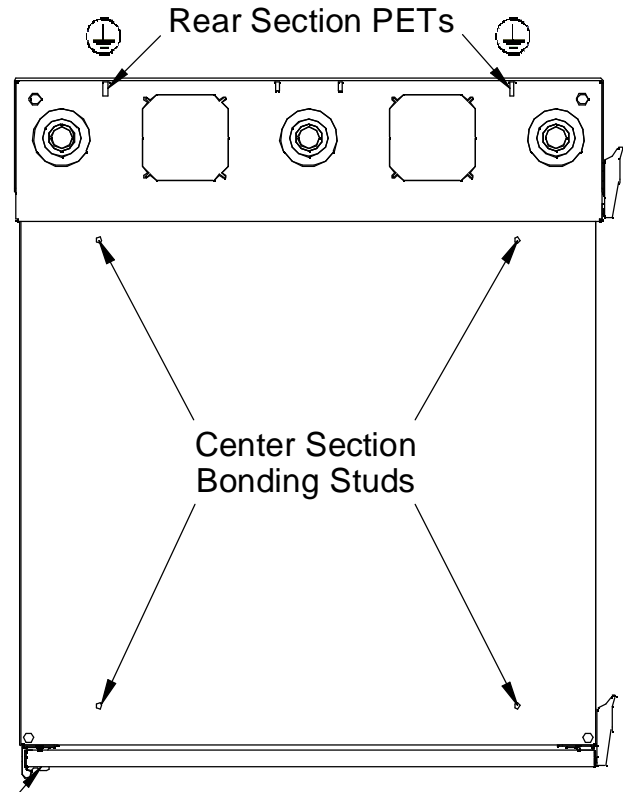
Figure 2

3

Bonding Connections

Centre Section: Attach bonding wire found in ground kit to a centre section bonding stud, closest to the hinged side of the enclosure, using the ring terminal and hardware provided. Attach opposite end of wire to the nearest PET on the rear section.

Door: Attach bonding wire to the door stud using the same method described above. Attach the opposite end to the nearest centre section bonding stud.



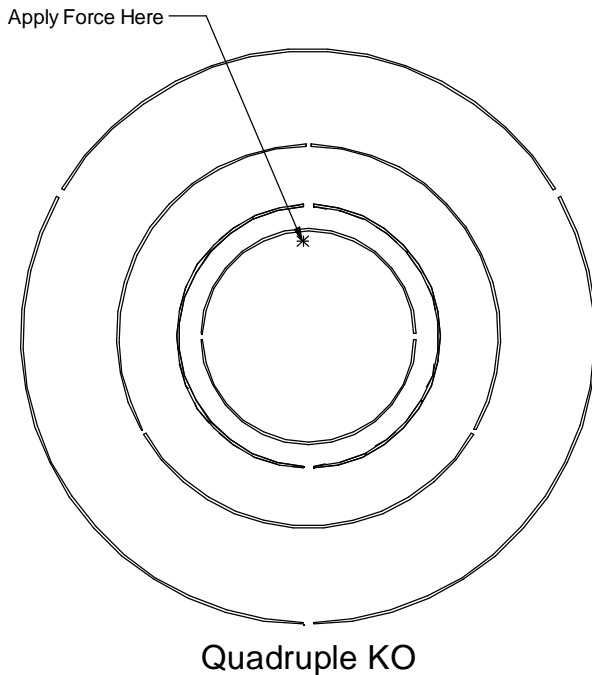
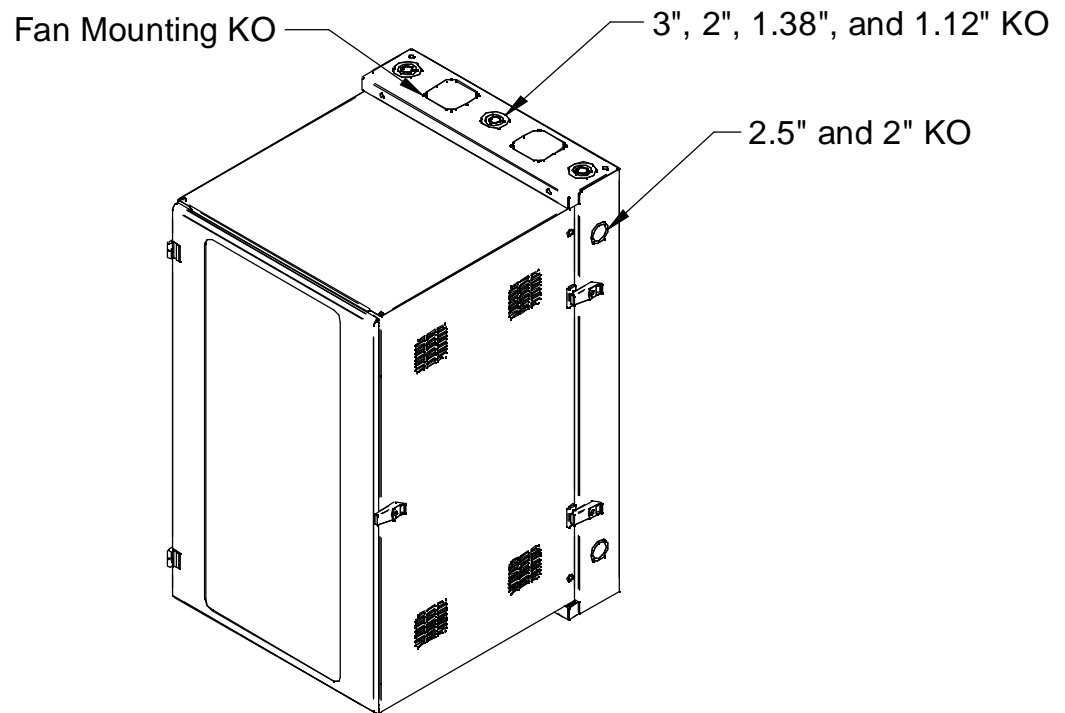
Door Bonding Studs

Top View



KNOCK-OUTS AND CABLE WAYS

- Knock-outs are located on the top/bottom and sides of the rear section.
- The openings allow for cable entry, mounting of conduits, and fan mounting.



Proper Removal of Knock-Outs

When removing an inner knock-out with the intent to leave the larger intact, ensure the force is applied to the weakest area of the ring.

This is accomplished by placing the knock-out tool as far away from the tabs as possible while remaining as close to the tab of the next largest ring (shown to the left).

