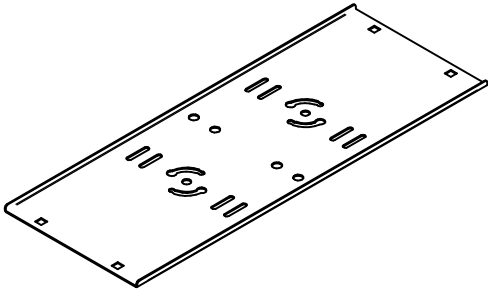
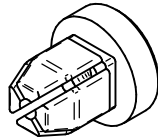


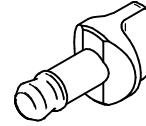
PARTS LIST
LISTE DES PIÈCES



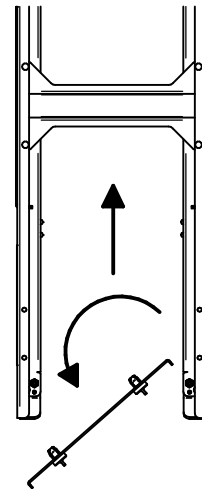
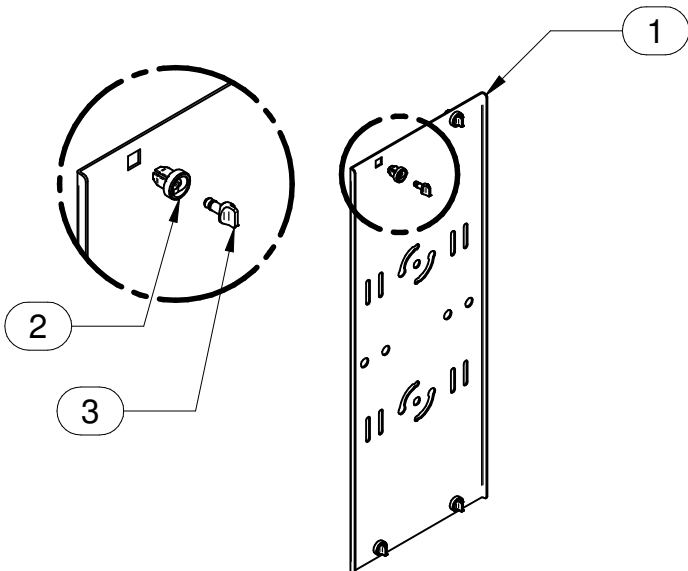
ITEM 1
ACCESSORY PANEL
QTY 1



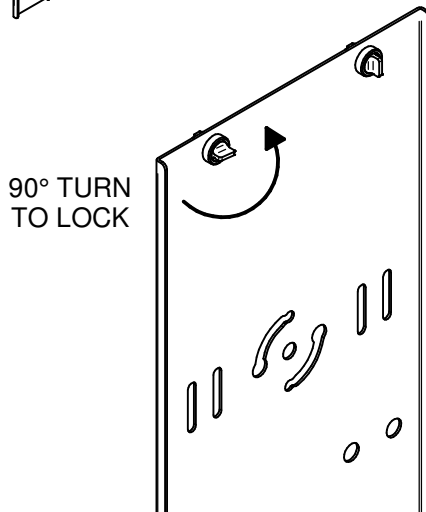
ITEM 2
SNAP CLIP BASE
QTY 4



ITEM 3
SNAP CLIP TOP
QTY 4

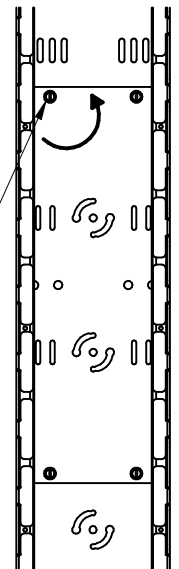


TOP VIEW
VFM SHOWN
(NOT INCLUDED)



90° TURN
TO LOCK

TURN ALL FOUR (4)
SNAP CLIPS 90°
TO LOCK IN PANEL



FRONT VIEW
VFM SHOWN
(NOT INCLUDED)

TOOL BOX



BOÎTE À OUTILS

N/A



visit our website: www.hammondmfg.com
visitez notre site Web: