

HYG - KIT

BUL87980
REV. C

GASKET REPLACEMENT INSTRUCTIONS FOR HYJ, HYMPB AND HYPB SERIES

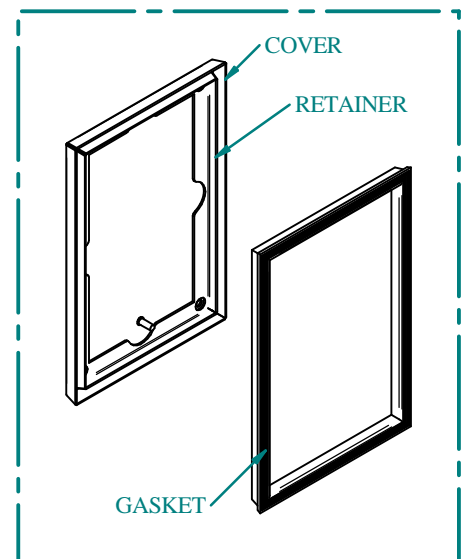
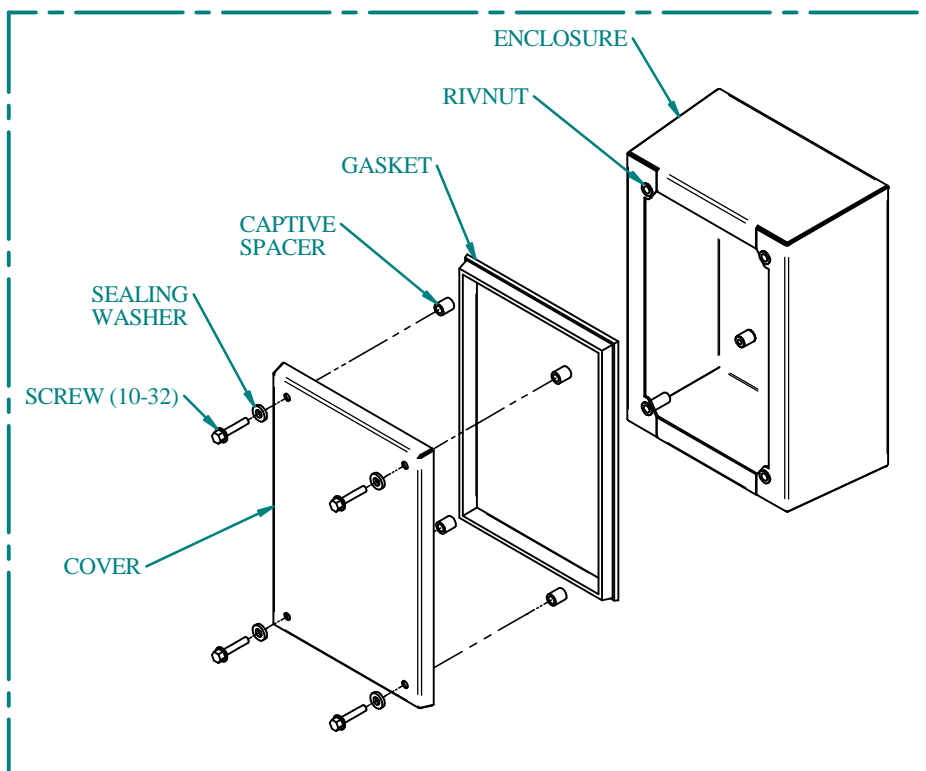
PARTS LIST		
PART #	HEIGHT	WIDTH
HYG1613	15.176	12.177
HYG1411	13.176	10.177
HYG129	11.176	8.177
HYG125	11.176	4.177
HYG107	9.176	6.177
HYG105	9.176	4.177
HYG85	7.176	4.177

Mounting kits are required
to maintain marked Type rating.

Part No.	DESCRIPTION
ST1MFSS316	1" STAND-OFF
ST2MFSS316	2" STAND-OFF
ST4MFSS316	4" STAND-OFF
ST6MFSS316	6" STAND-OFF

Gasket replacing/cleaning procedure

1. Wipe down enclosure. Ensure enclosure is completely dry prior to removing cover.
2. Loosen screws.
3. Remove cover.
4. Wipe off remaining water droplets.
5. Remove gasket.
6. Clean and dry gasket and cover.
7. Place gasket firmly into cover around retainer.
8. Align cover to enclosure.
9. Tighten 10-32 screws by hand.
10. Ensure gasket is properly sealed and sitting flush on enclosure.
11. Torque 10-32 screws to 20 in/lbs.



TOOL BOX



$\frac{5}{16}$ NUT DRIVER



HAMMOND
MANUFACTURING™
www.hammondmfg.com