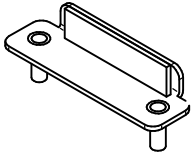


PARTS LIST

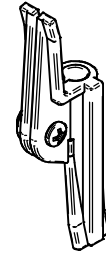
LISTE DES PIÈCES



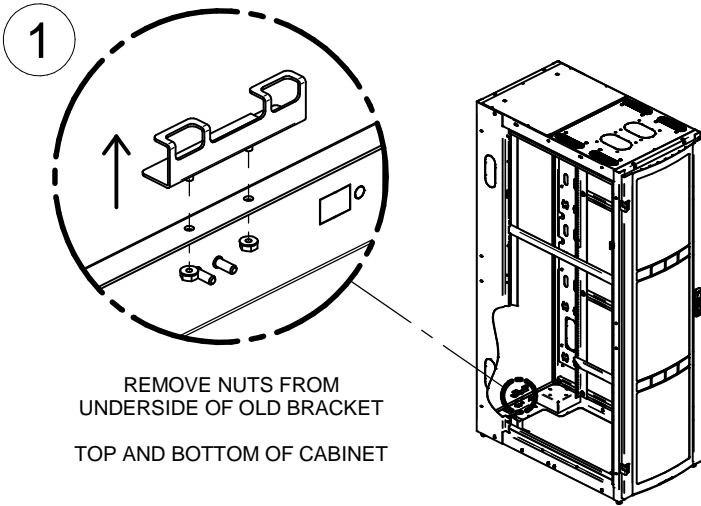
ITEM 1  
STOP BRACKET  
QTY 2



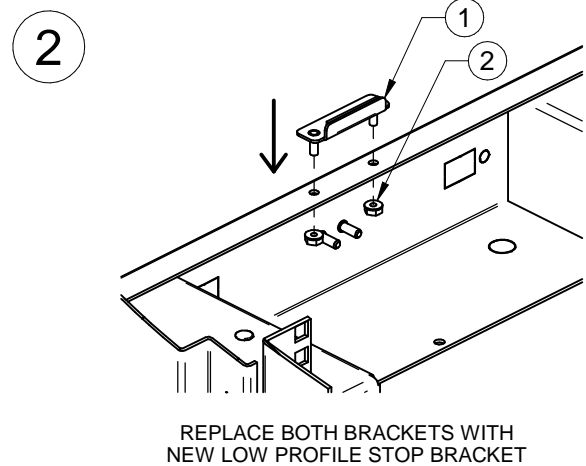
ITEM 2  
8-32 KEPS NUT  
QTY 4



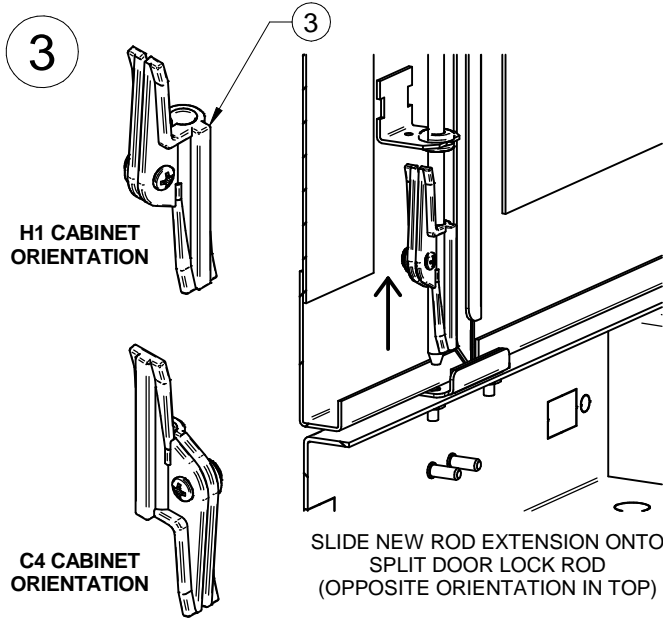
ITEM 3  
ROUND LOCK ROD CLIP  
QTY 2



1  
REMOVE NUTS FROM  
UNDERSIDE OF OLD BRACKET  
TOP AND BOTTOM OF CABINET



2  
REPLACE BOTH BRACKETS WITH  
NEW LOW PROFILE STOP BRACKET

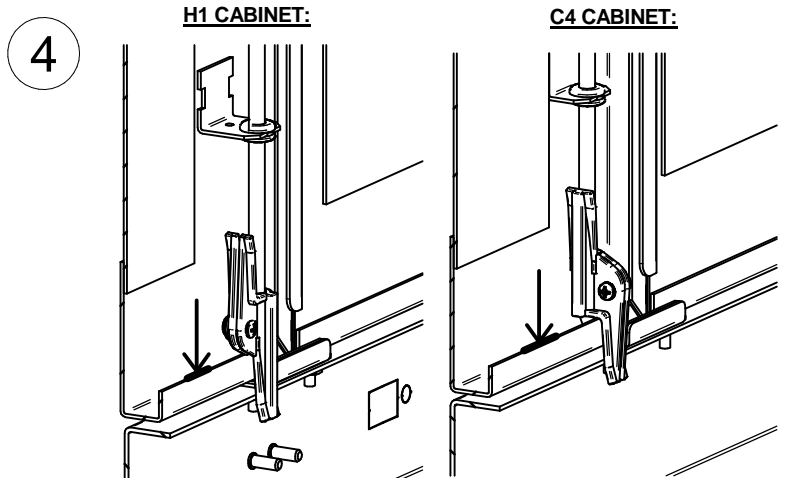


3  
H1 CABINET  
ORIENTATION

C4 CABINET  
ORIENTATION

SLIDE NEW ROD EXTENSION ONTO  
SPLIT DOOR LOCK ROD  
(OPPOSITE ORIENTATION IN TOP)

\*C4 LOCK ROD MAY NEED TO BE  
REMOVED TO INSTALL EXTENSION\*



H1 CABINET:

C4 CABINET:

WITH LOCK RODS FULLY ENGAGED (LOCKED  
POSITION) SLIDE EXTENSION DOWN ROD UNTIL IT  
SEATS AGAINST THE BARN DOOR RETURN FOLD.

TIGHTEN INCLUDED NUT AND BOLT



11/32  
Wrench



visit our website: [www.hammondmfg.com](http://www.hammondmfg.com)  
visitez notre site Web: