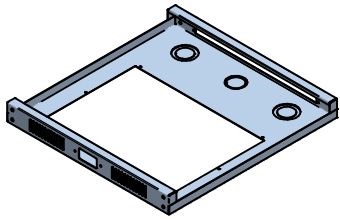
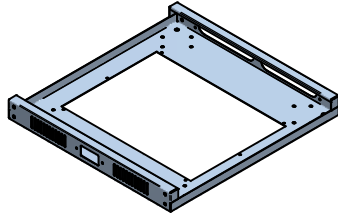


PARTS LIST

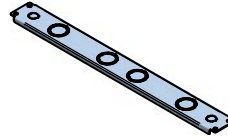
LISTE DES PIÈCES



ITEM 1
RCK TOP
QTY 1



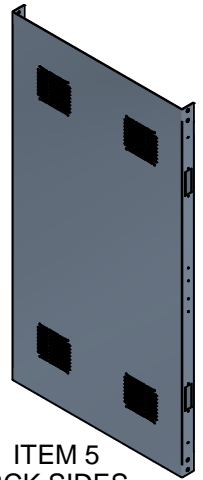
ITEM 2
RCK BOTTOM
QTY 1



ITEM 3
1U KO PANEL
QTY 2



ITEM 4
RCK RAILS
QTY 4



ITEM 5
RCK SIDES
QTY 2



ITEM 6
HINGE COVER PLATES
QTY 8



ITEM 7
1/4-20 SPRING NUT
QTY 16



ITEM 8
1/4-20 BOLT
QTY 16



ITEM 9
M6 SCREW
QTY 16



ITEM 10
WASHER
QTY 16



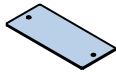
ITEM 11
WASHER
QTY 16



ITEM 12
U CLIP NUT
QTY 6



ITEM 13
SCREW
QTY 24



ITEM 14
DECORA COVER
PLATE
QTY 2



ITEM 15
SCREW
QTY 8



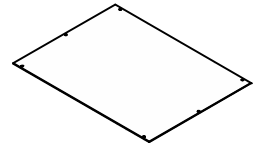
ITEM 16
CLIP NUT
QTY 8



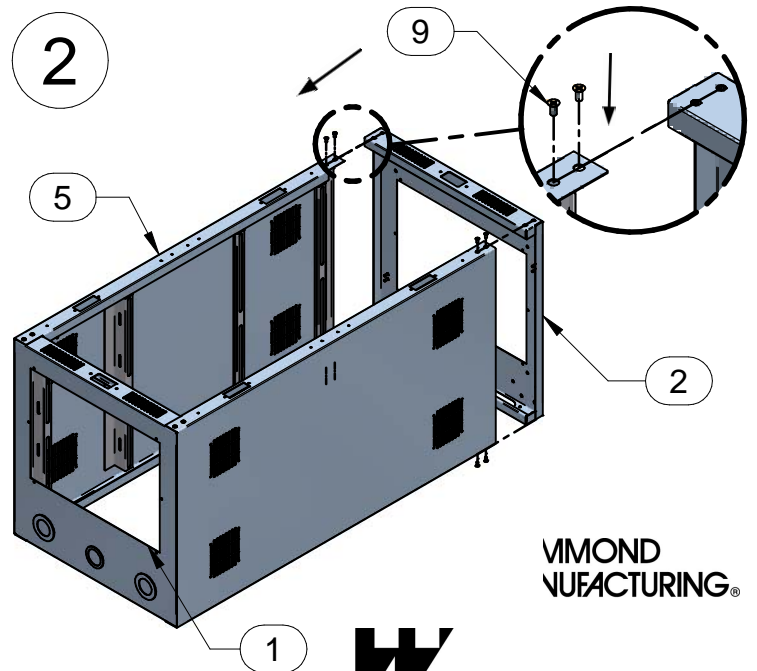
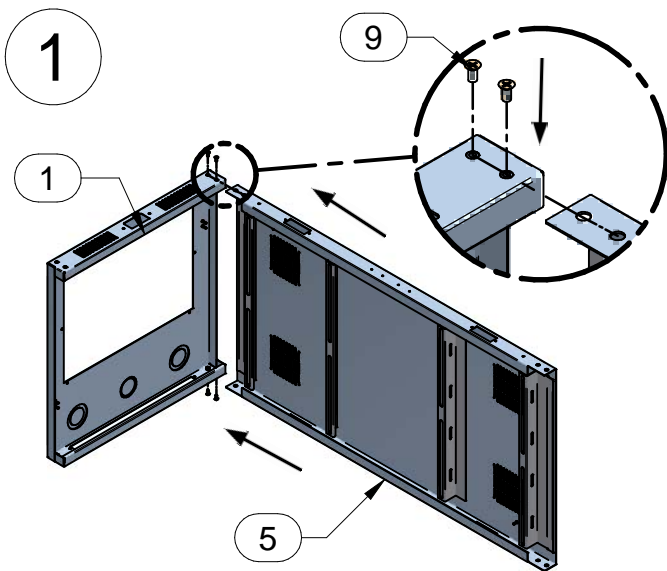
ITEM 17
GANGING BRACKET
QTY 2



ITEM 18
SCREW
QTY 6



ITEM 19
TOP PANEL
QTY 1



HAMMOND
MANUFACTURING®

TOOL BOX



BOÎTE À OUTILS

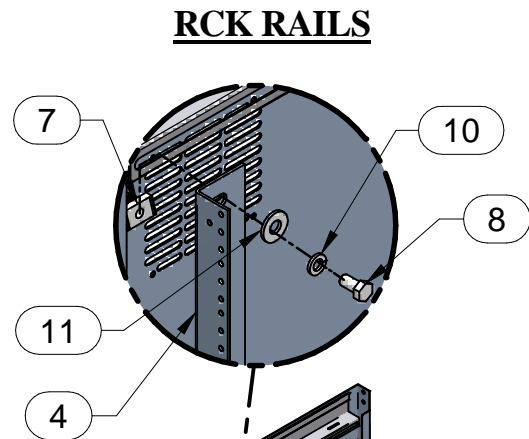
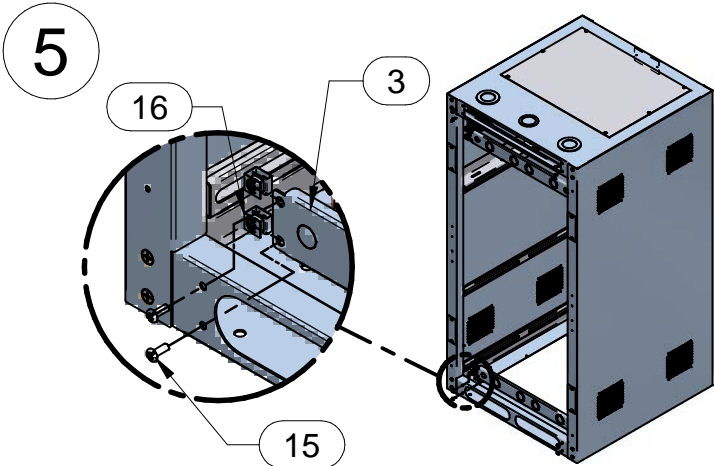
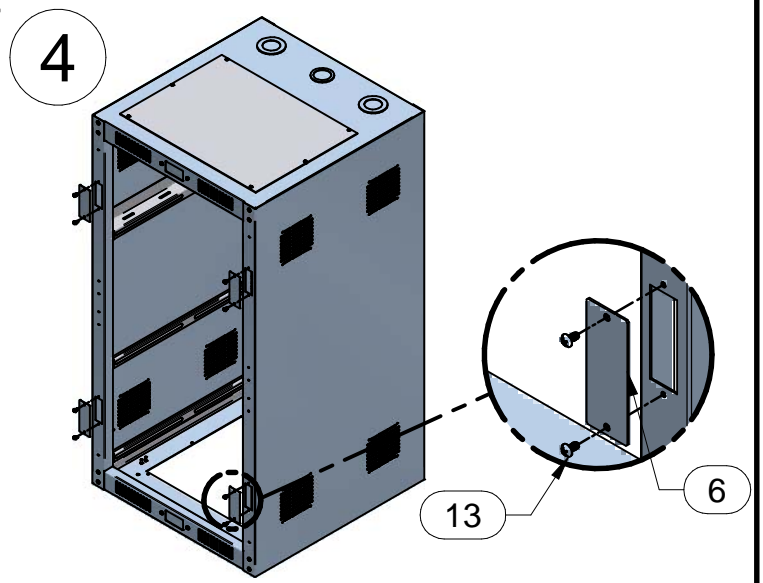
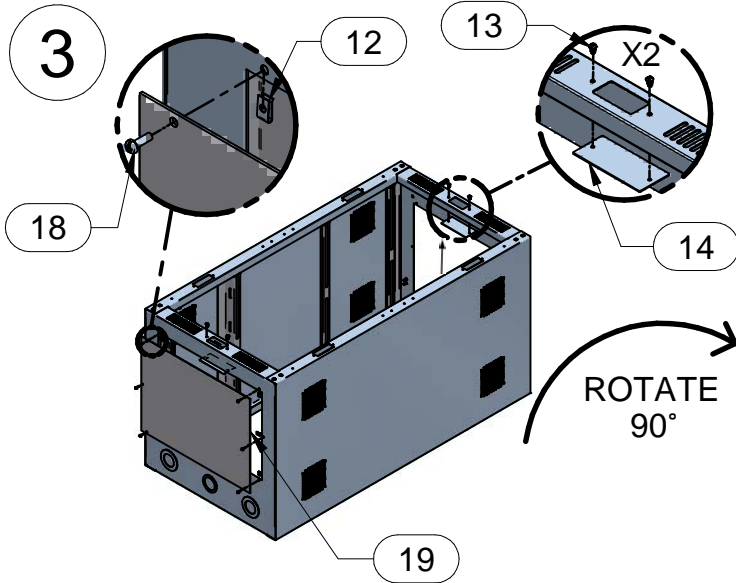


9/16 Socket
Driver



visit our website:
visitez notre site Web:

www.hammondmfg.com



GANGING

