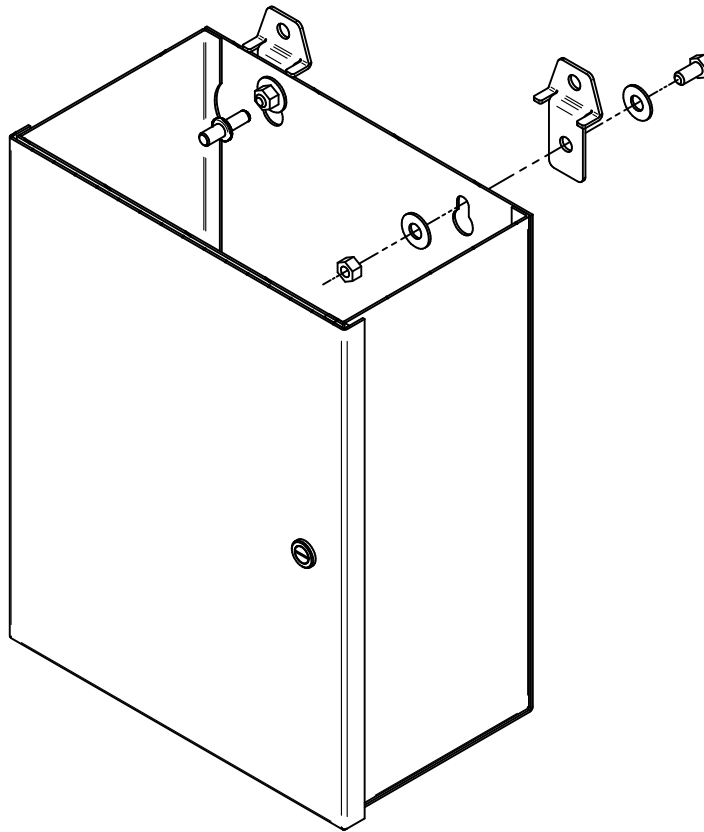


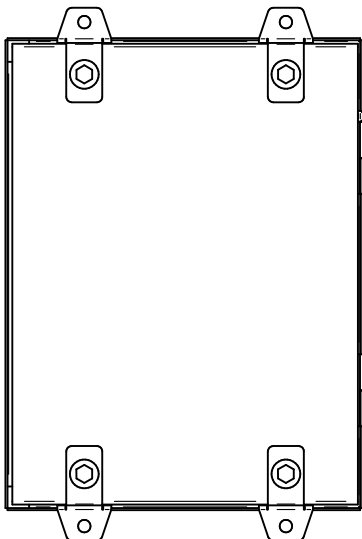
# NIAMFK - SERIES

BUL88913  
REV. A

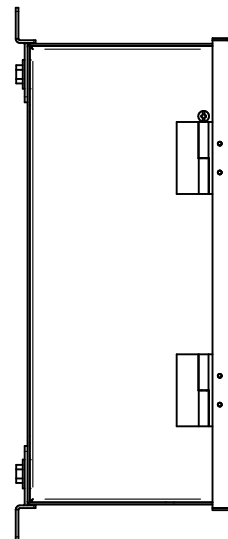
## ASSEMBLY INSTRUCTIONS



ISOMETRIC VIEW  
(TOP REMOVED)

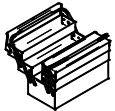


BACK VIEW



SIDE VIEW

TOOL BOX



9/16" WRENCH (x2)



 **HAMMOND  
MANUFACTURING™**  
[www.hammondmfg.com](http://www.hammondmfg.com)