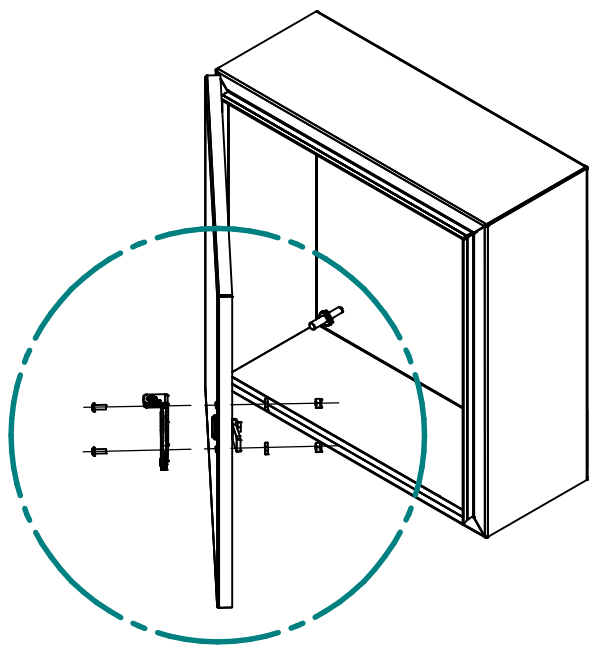
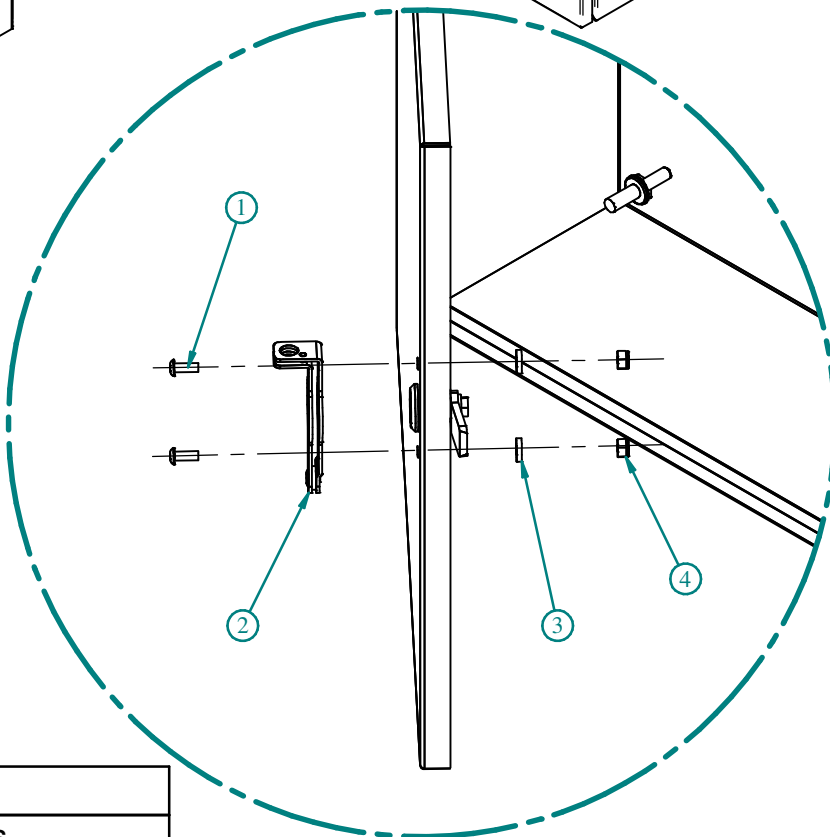
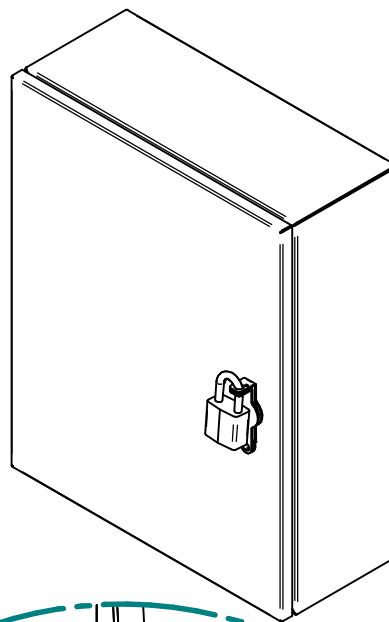


Eclipse Sr. SERIES

ASSEMBLY INSTRUCTIONS FOR PADLOCK ACCESSORY



A




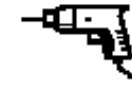

DETAIL A

ASSEMBLY INSTRUCTIONS:

- A) CENTER BASE (PART 2) AROUND LOCK ON COVER.
- B) USE BASE (PART 2) AS TEMPLATE TO DRILL (2) .218DIA. HOLES IN COVER.
- C) FASTEN THE BASE (PART 2) TO COVER USING 10-32 HARDWARE (PARTS 1,3,4) SUPPLIED.

NOTE: THE NYLON INSERT NUT (PART 4) WILL NOT ALLOW THE PADLOCK BASE TO BE REMOVED FROM THE OUTSIDE AFTER INSTALLATION.

PART #	QTY.	DESCRIPTION
1	2	SCREW 10-32 X 1/2 BUT SOC CAP SS
2	1	ECLIPSE PADLOCK ACCESSORY
3	2	WASHER M10 NEO SEAL SS
4	2	NUT 10-32 NYLON INSERT SS

<p>TOOL BOX</p> 	<p>Drill, use .218(5.5mm), .390(9.9mm)</p> 	<p>3/8" Open End Wrench</p> 
---	--	---

