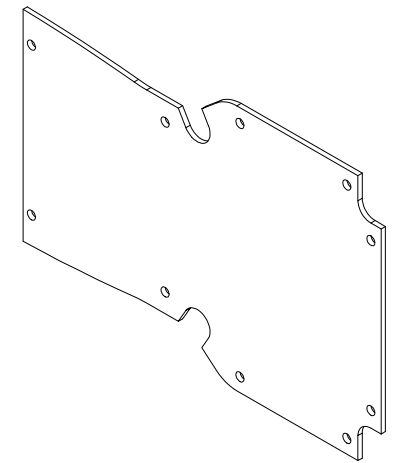
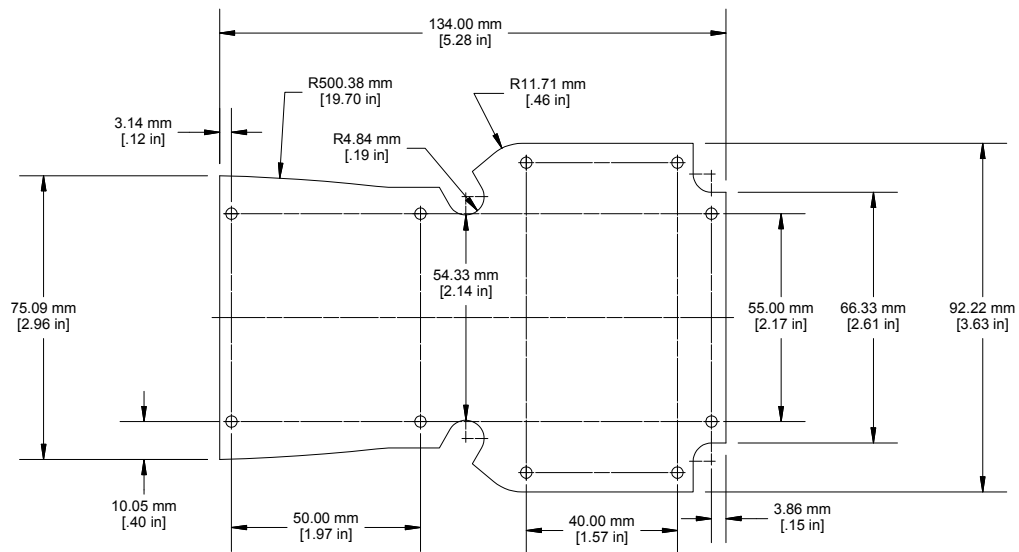


Maximum P.C. Board Size- 1553T



Maximum P.C. Board Size With Battery-1553TBAT