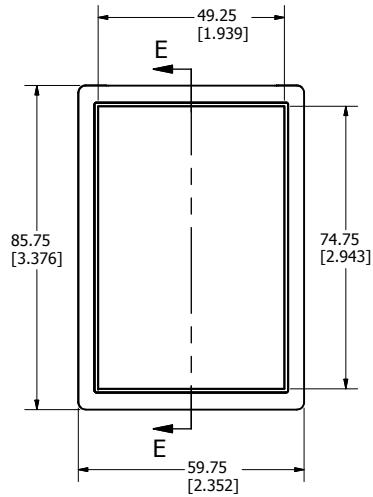
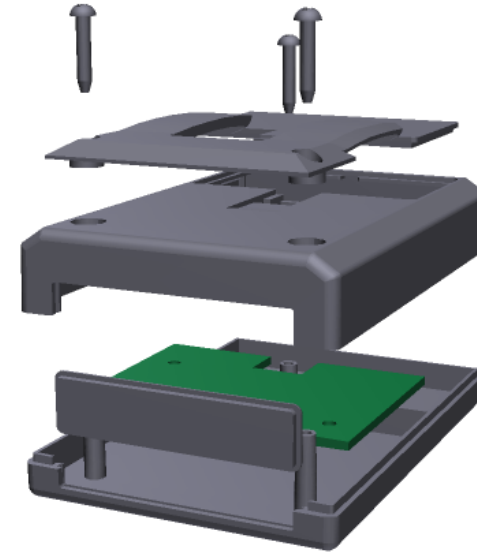
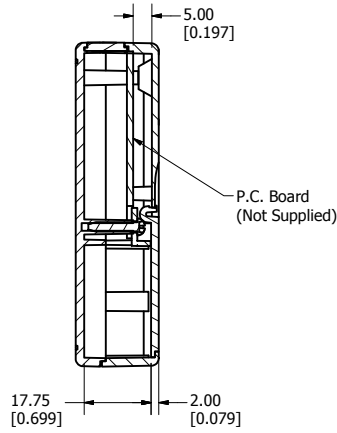


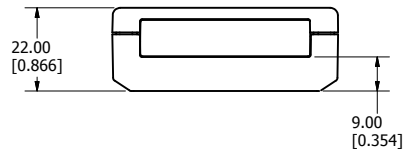
Top View of Assembly



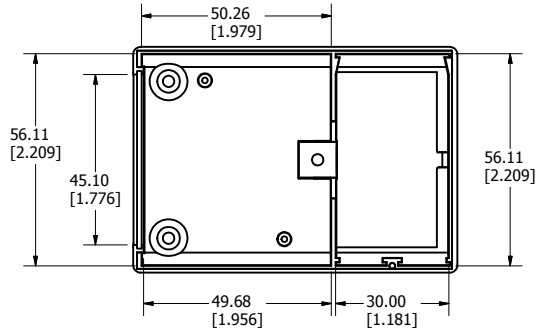
SECTION E-E (Side Inside Assembly)



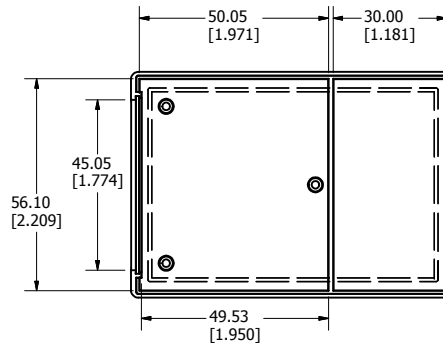
End View of Assembly



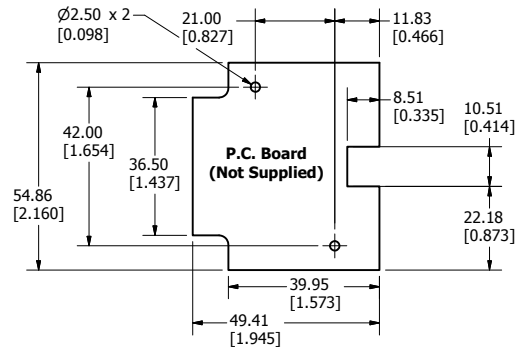
Bottom Cover



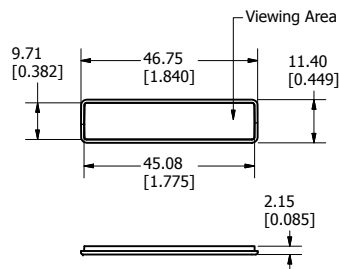
Top Cover



Maximum P.C. Board Size



End Panel



NOTE		
Clip and PC Board not included		
PART NUMBERS		
Clipper Enclosure		
Black Enclosure RAL 9018	001102	
Grey Enclosure RAL 7035	001113	
INCLUDES		
#	Description	Material
1	Enclosure	FR ABS-UL94-V0
1	End Panel	FR ABS-UL94-V0
3	Cover Screws #2x1/2 Pan Head	
ACCESSORIES		
Black Pocket Clip	001151	
Grey Pocket Clip	001152	
Infra Red Panel	001150	



**HAMMOND
MANUFACTURING™**

001102

www.hammondmfg.com