

117F32

70 V LINE AUDIO TRANSFORMER

- Couple 8ohm speakers to 70volt line outputs of amplifiers.
- Up to 5 power tap levels available
- Primary taps marked in watts (no calculation necessary), to match speaker power.
- Frequency response 100Hz. to 10Khz. (± 1 db. reference @1 Khz.)
- Distortion is less than 2.0% @ 100 Hz. at maximum power.
- All models have solder lugs, also suitable for slip on jumper connections.
- Total power requirements of speakers should not exceed the rated power of each transformer or rated power of the amplifier.

ELECTRICAL SPECIFICATIONS

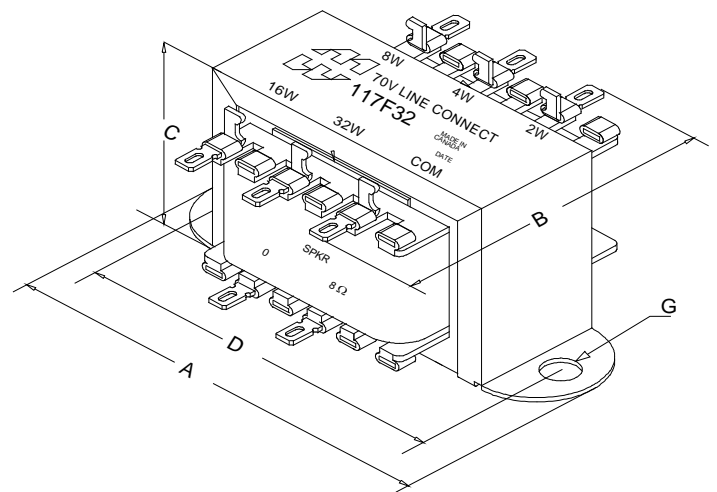
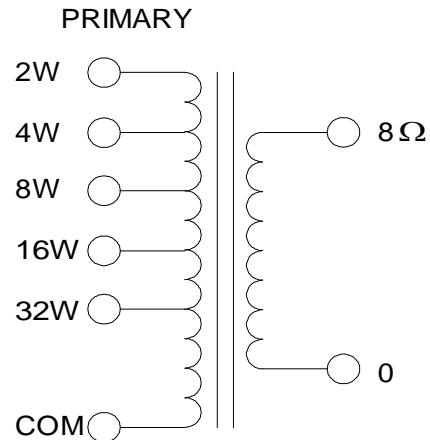
Characteristics	Typical
System Voltage	70V
Power Rating	32 Watts
Insertion Loss	<2dB
DCR	
COM - 2 W	26.9 Ω TYP
Input	0.29 Ω TYP
INDUCTANCE/IMPEDANCE	
	@1.0 KHZ, 1V OC
COM - 2W	2.03H / 11.66K Ω
COM - 4W	1.06H / 6.0K Ω
COM - 8W	566mH / 3.12K Ω
COM - 16W	315mH / 1.68K Ω
COM - 32W	167mH / 860 Ω
Input	11.46mH / 52.74 Ω
LEAKAGE INDUCTANCE	
	@1.0 KHZ, 1V SC
2W/ 32W	36.16mH / 8.20mH
Dielectric Strength	500VRMS
Temperature Range	-40 To 105°C

TEST CONDITIONS

Measurement instruments:
 Hp4192a impedance analyzer Keithley 2002 DVM
 D scope series iii audio analyzer Hp3456a DVM

* All graphs input level 27dBm.

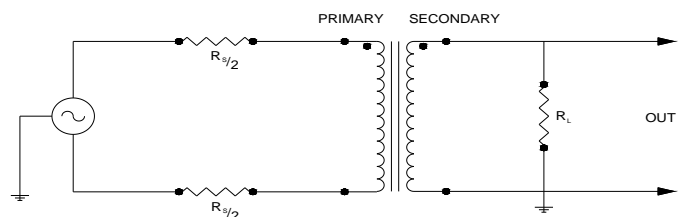
**The results are typical and are subject to normal manufacturing and electrical tolerances.



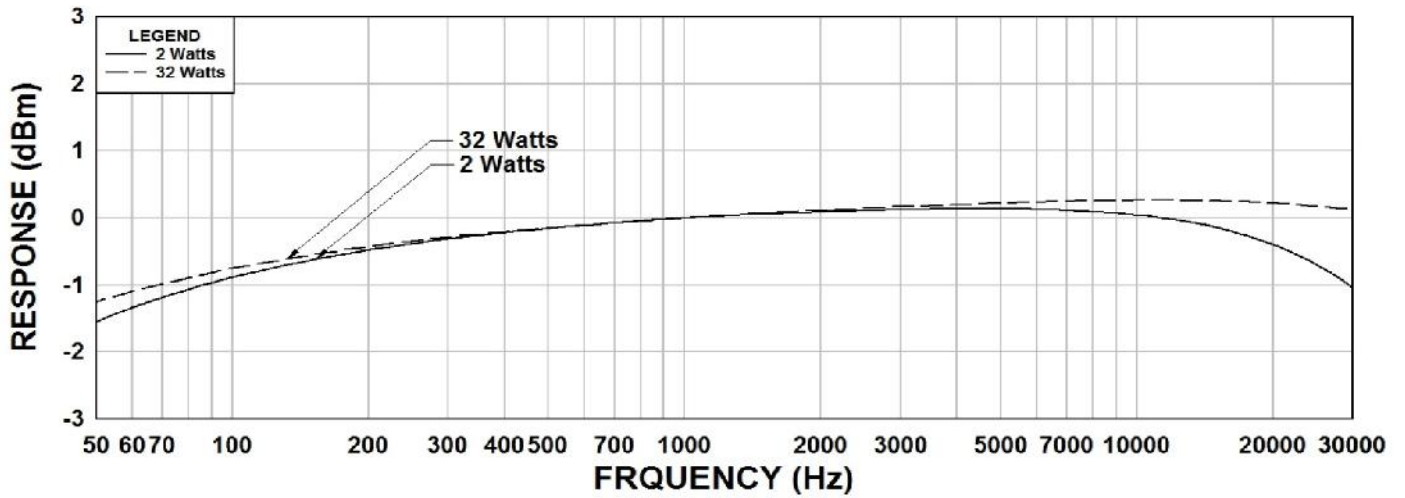
Dimensions

A	4.00" ± 0.063	D	3.563" ± 0.063
B	2.717" REF	G	0.187" ± 0.015
C	2.620 MAX		

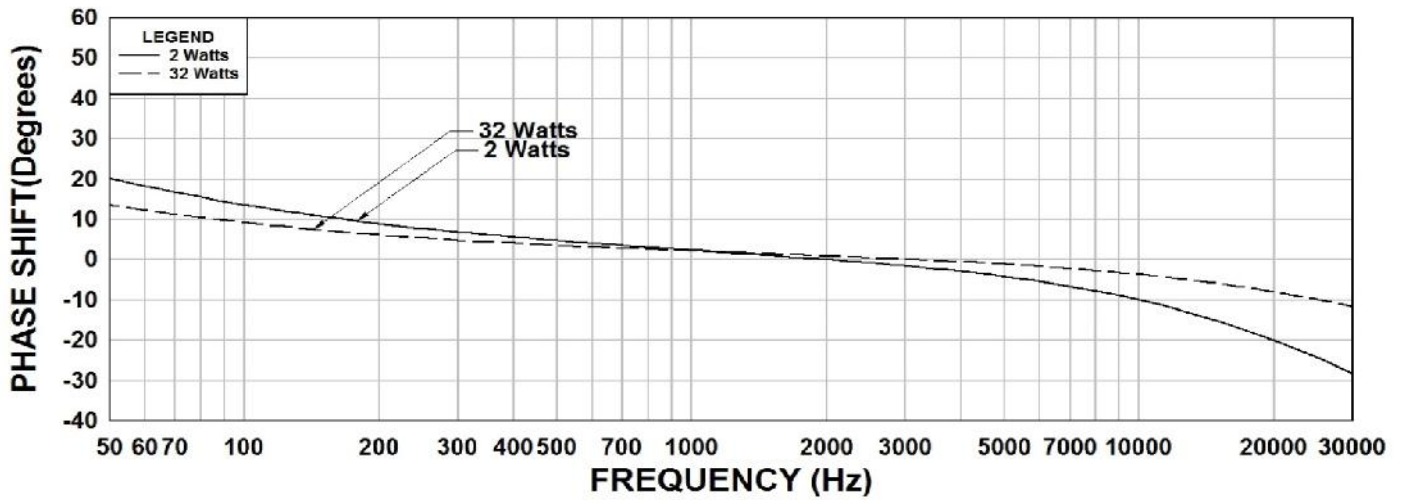
TYPICAL TEST CIRCUIT



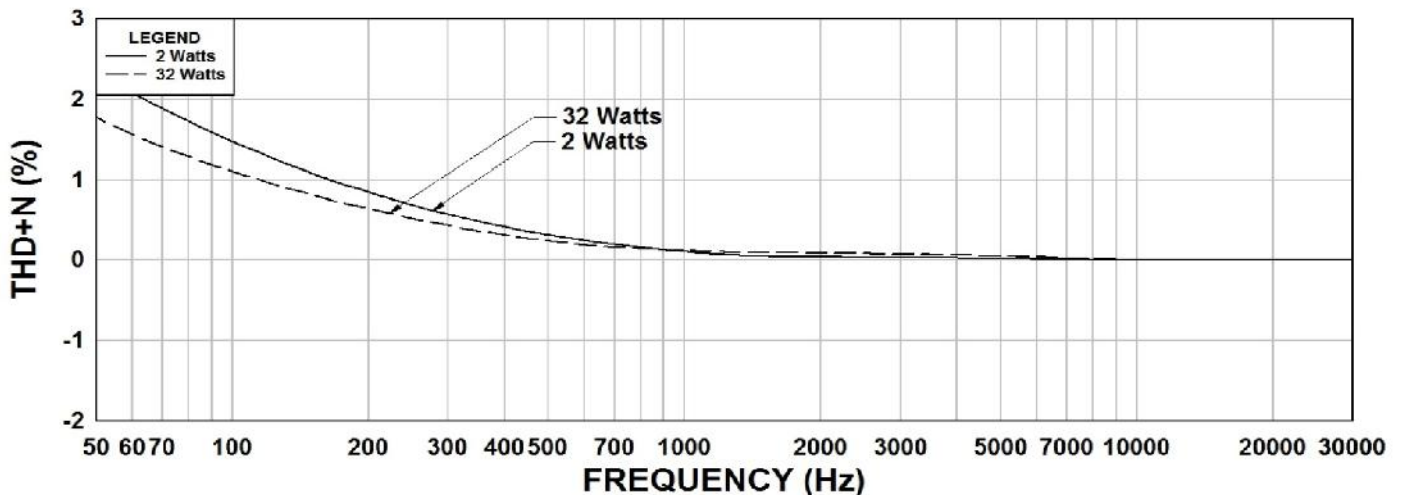
117F32 Frequency Response 2W & 32W



117F32 Phase Shift 2W & 32W



117F32 THD+N 2W & 32W



This drawing and the information in it is the property of Hammond Manufacturing. It may not be reproduced, transmitted or used in any manner whatsoever without the written permission of Hammond Manufacturing. Data subject to change without notice.