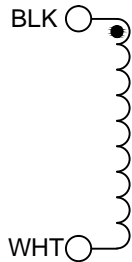


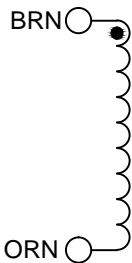
PRIMARY

SECONDARY

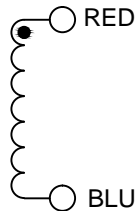
PRIMARY #1
117V 50/60Hz



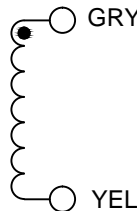
PRIMARY #2
117V 50/60Hz



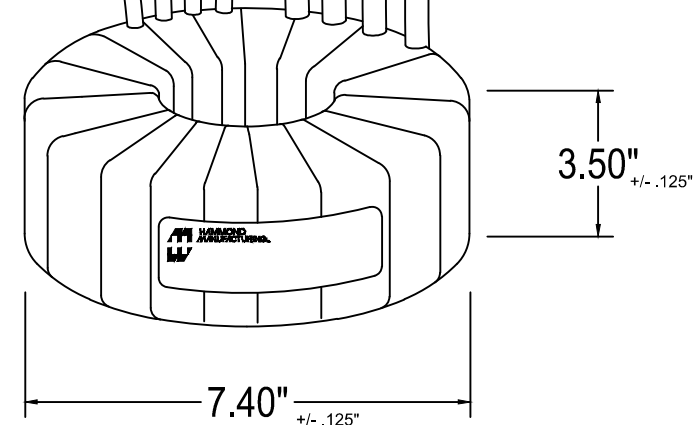
SECONDARY #1
60V @ 12.50Amps



SECONDARY #2
60V @ 12.50Amps



PRIMARY LEADS ARE #12 TEW
SECONDARY LEADS ARE #10 TEW
ALL LEADS OUT 8"-9" AND STRIPPED 0.5" MIN.
WEIGHT: 24.75Lbs +/- 4%



HAMMOND MANUFACTURING
1182T60
 50/60Hz VA:1500
 PRI: 2x 117V BLK-WHT, BRN-ORN
 SEC: 2x 60V @ 12.50A RED-BLU, GRY-YEL
 1A1500A000C060060
 MADE IN CANADA DATE PB
 RoHS Compliant
 CE, UL, and other certification marks.

SUPPLIED WITH: TWO 0.125" T X 6.00" OD RUBBER WASHERS.
 ONE 16GA X 4.30" OD STEEL MOUNTING WASHER.
 ONE 3/8-16 BOLT 4.50" LONG WITH A LOCK WASHER AND 3/8-16 HEX NUT.

ELECTRICAL DATA:		
TESTS	CONDITIONS	ACCEPTANCE CRITERIA
Sec. N.L.V	@ 117V, 60Hz	
OR	BLK & BRN to WHT & ORN @ 234V, 50Hz	
	BLK to ORN (Connect BRN & WHT)	
	RED - BLU	61.80 V ±2%
	GRY - YEL	61.80 V ±2%
POLARITY	BLK, BRN, RED and GRY.	ADDITIVE
DCR	BLK - WHT	0.160 Ohms ±20%
IN OHMS	BRN - ORN	0.160 Ohms ±20%
	RED - BLU	0.050 Ohms ±20%
	GRY - YEL	0.060 Ohms ±20%
HI POT	PRIMARY - SECONDARY	4000V, 60Hz, 1 SEC
	PRIMARY - PRIMARY	600V, 60Hz, 1 SEC
	SECONDARY - SECONDARY	600V, 60Hz, 1 SEC

PROPERTY AND COPYRIGHT NOTICE
 THIS DRAWING AND THE INFORMATION IT CONVEYS ARE THE PROPERTY OF HAMMOND MANUFACTURING. IT MAY NOT BE REPRODUCED, TRANSMITTED OR USED IN ANY MANNER WHATSOEVER WITHOUT THE WRITTEN PERMISSION OF HAMMOND MANUFACTURING.

REV	NOTES	BY	DATE	HAMMOND MANUFACTURING ELECTRONIC DIVISION 52 RANKIN PLACE, WATERLOO, ONTARIO, N2J 3Z5 PHONE: 519.886.6181 FAX: 519.886.9540
1	UPDATED THE HARDWARE, WAS 1/4-20 X 4.0" LONG.	GG	15/04/14	
				TOROID POWER TRANSFORMER
DRAWN G. GRAY		DATE 21/03/2014		NUMBER 1182T60
APPROVED		DATE		