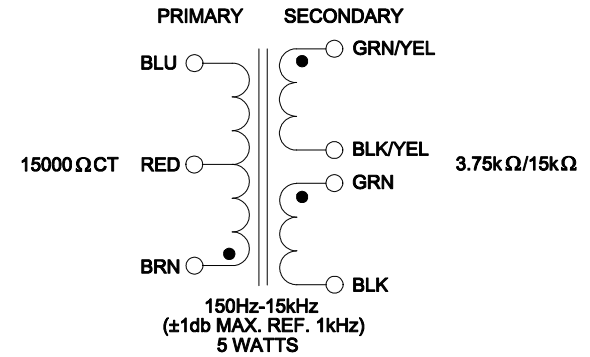
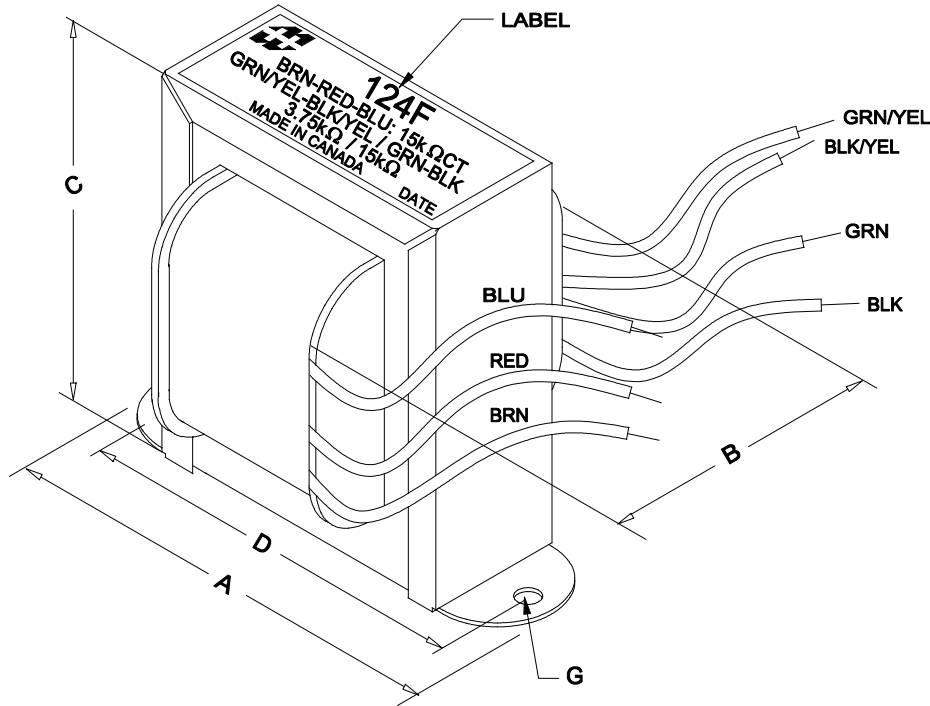


DIMENSIONS:	
A	2.875" ±0.063
B	1.750" ±0.125
C	2.370" ±0.063
D	2.375" ±0.063
G	0.187" ±0.015



NOTE: ALL LEADS 6" OUT MIN. STRIPPED 0.5"

ELECTRICAL DATA:		
TESTS	CONDITIONS	ACCEPTANCE CRITERIA
lex	@ 240V, 60Hz, BRN - BLU	10mA Max.
Sec. N.L.V	@ 240V, 60Hz, BRN - BLU	
	BRN - RED = RED - BLU =	120.0V ±2%
	GRN/YEL - BLK/YEL =	120.0V ±2%
	GRN - BLK =	120.0V ±2%
DCR	@ 20°C, BRN - RED =	426.3 Ω ±20%
	@ 20°C, RED - BLU =	473.3 Ω ±20%
	@ 20°C, GRN/YEL - BLK/YEL =	379.4 Ω ±20%
	@ 20°C, GRN - BLK =	520.2 Ω ±20%
HIPOT	PRIMARY - SECONDARY	500V, 60Hz, 1 SEC

REV.#	REVISION	DATE	HAMMOND MANUFACTURING™		ELECTRONIC DIVISION	
0	RELEASED.	07/21/15	52 RANKIN PLACE, WATERLOO, ONTARIO, N2J 3Z5		PH # (519) 886-6181 FAX # (519) 886-9540	
			DWG. BY: C. ILIE	CHK'D BY:	TITLE: AUDIO DRIVER TRANSFORMER	DWG. NO. 124F
			DATE: 07/21/15	APP'D. BY:		
				DIMENSIONS: IN(X) MM()		