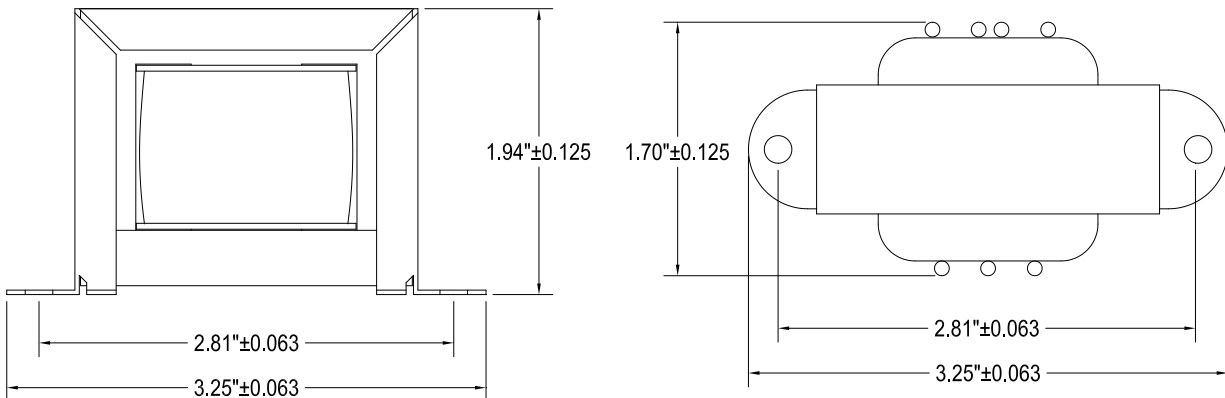
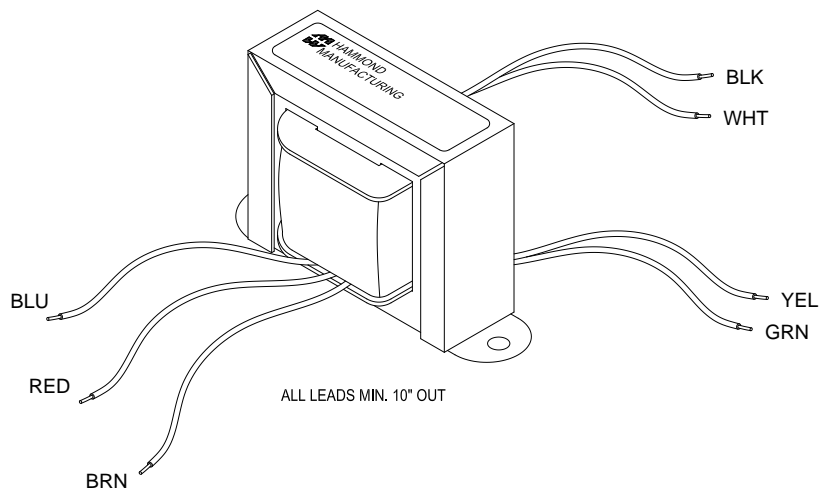




125J

UNIVERSAL PUSH-PULL "CLASSIC" TUBE OUTPUT TRANSFORMER

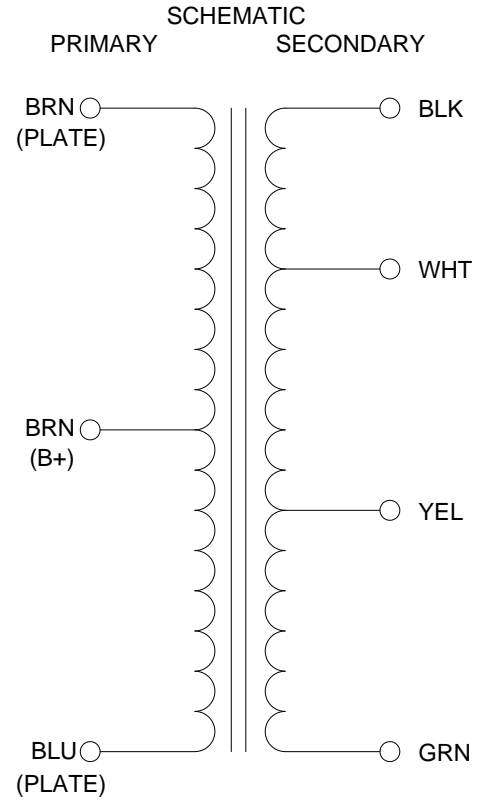
-) Designed for general purpose or replacement use in push-pull tube output circuits.
-) For single ended use, see our 125SE Series.
-) Frequency response: 150 Hz. - 15 KHz at full rated power (+/- 1db max. ref. 1 KHz) also see graphs for more detailed response data
-) Open style with minimum 10" long primary leads.
-) Primary impedances from 2500 to 4000 Ohms.
-) Secondary impedances from 3.2 to 8 Ohms.
-) For mor impedance options, see our universal impedance push-pull 125 Series
-) Designed for general purpose or replacement use (not Hi-Fi), in tube output circuits.



ELECTRICAL SPECIFICATIONS**

<u>Characteristic</u>	<u>Typical</u>
Input Impedance	2500 - 4000 \varnothing
Output Impedance	3.2 - 8 \varnothing
Output Power	8 Watts
Primary - DCR	
Blue - Brown	170 \varnothing
Secondary DCR	
Black - Green	143 m \varnothing
Black - Yellow	290 m \varnothing
Black - White	443 m \varnothing
Inductance @ 1.0 kHz, 1.0 V OC	
Primary - Blue - Brown	6.45 Hy
Black - Green	36.6 mH
Black - Yellow	16.9 mH
Black - White	0.77 mH
Impedance @ 1.0 kHz, 1.0 V OC	
Primary - Blue - Brown	39.2 K \varnothing
Black - Green	204 \varnothing
Black - Yellow	120 \varnothing
Black - White	5.27 \varnothing
Frequency Response	See graphs for specific response, Typ. $\{$ 1.0db from 150Hz to 15KHz
Dielectric Strength	1500Vrms
Temperature Range	-40 To 105°C

Schematic and Hook Up Data

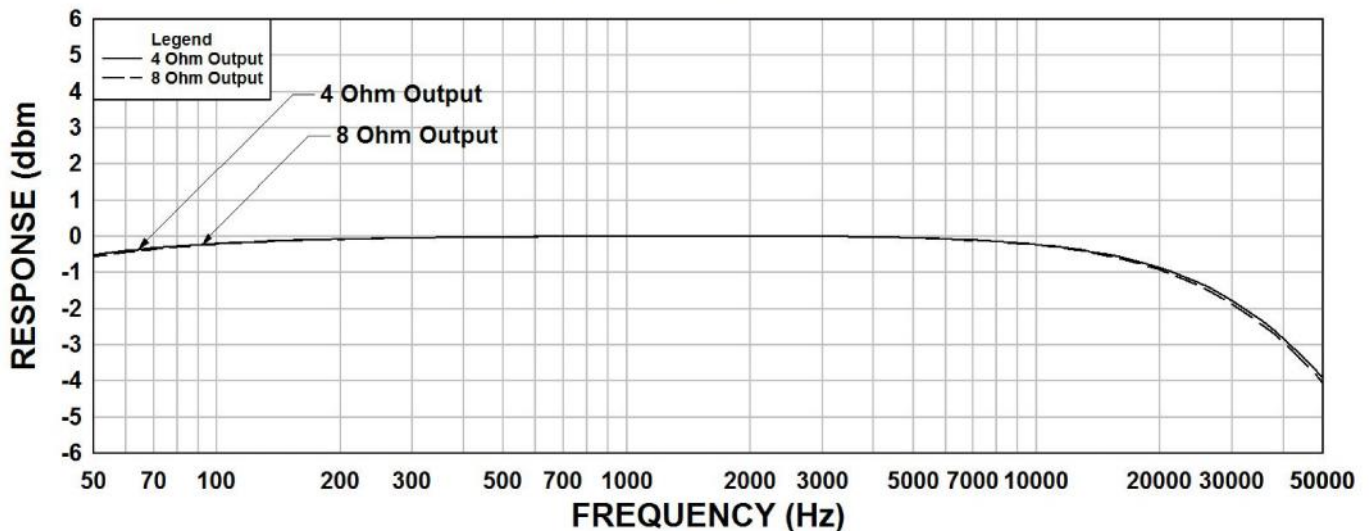


HAMMOND MANUFACTURING. **125J**
AUDIO OUTPUT

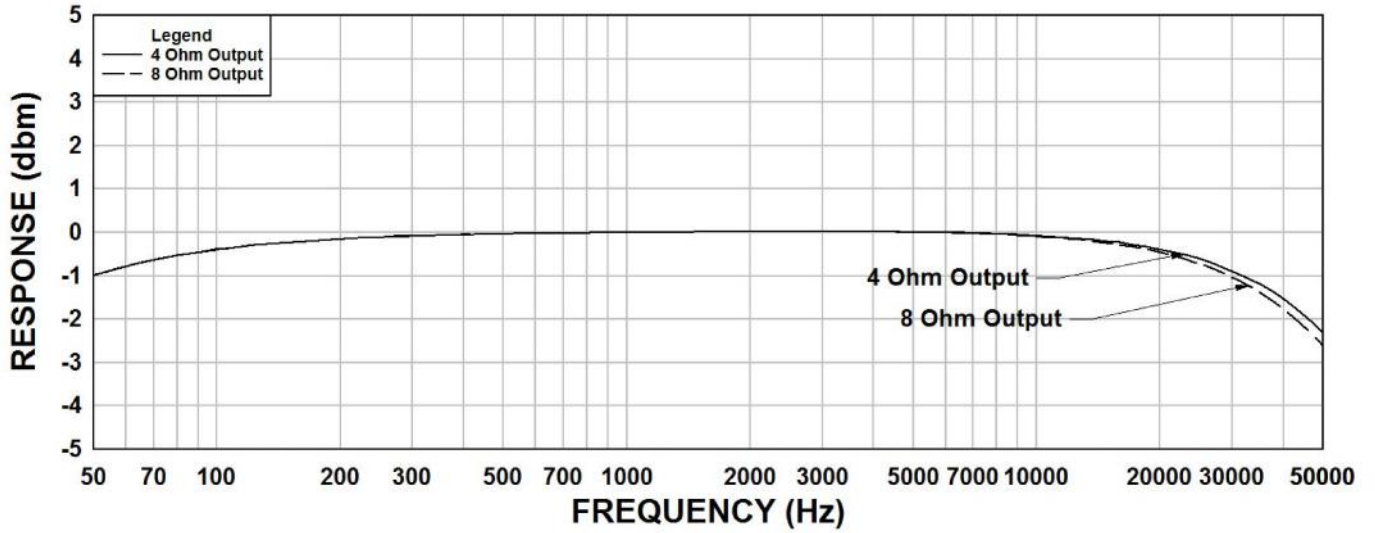
PRI: 2.5K/4K OHMS CT 8 WATTS
 SEC: 6/8-3.2/4 OHMS 150Hz-15KHz

DATE CODE MADE IN CANADA

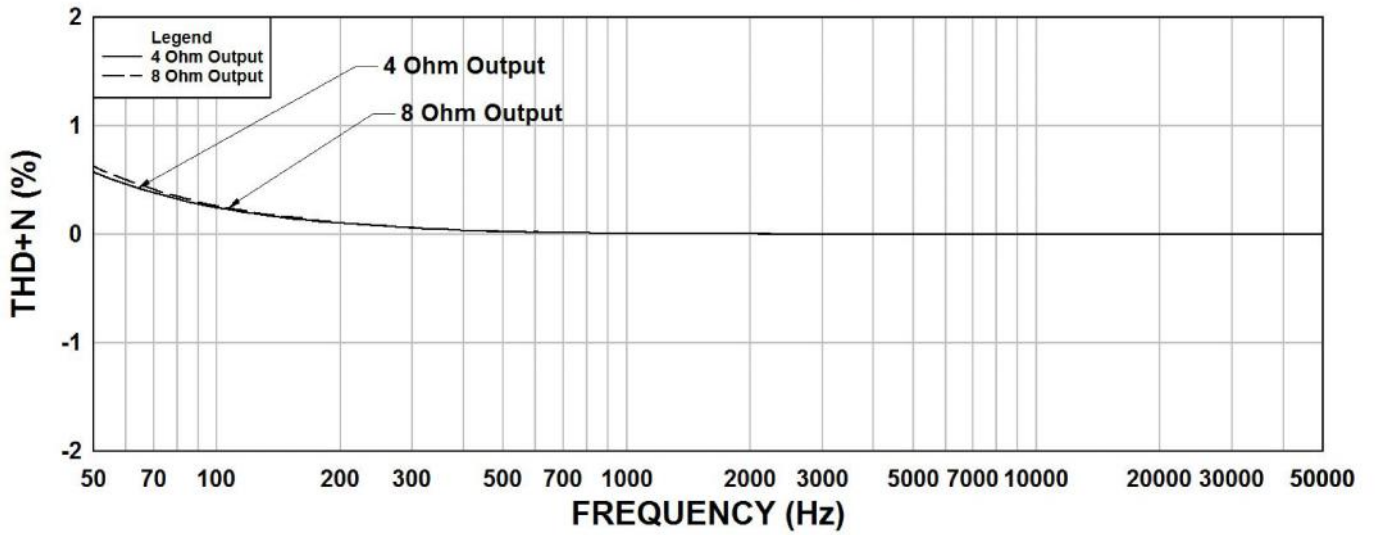
125J Frequency Response 2.5K Input



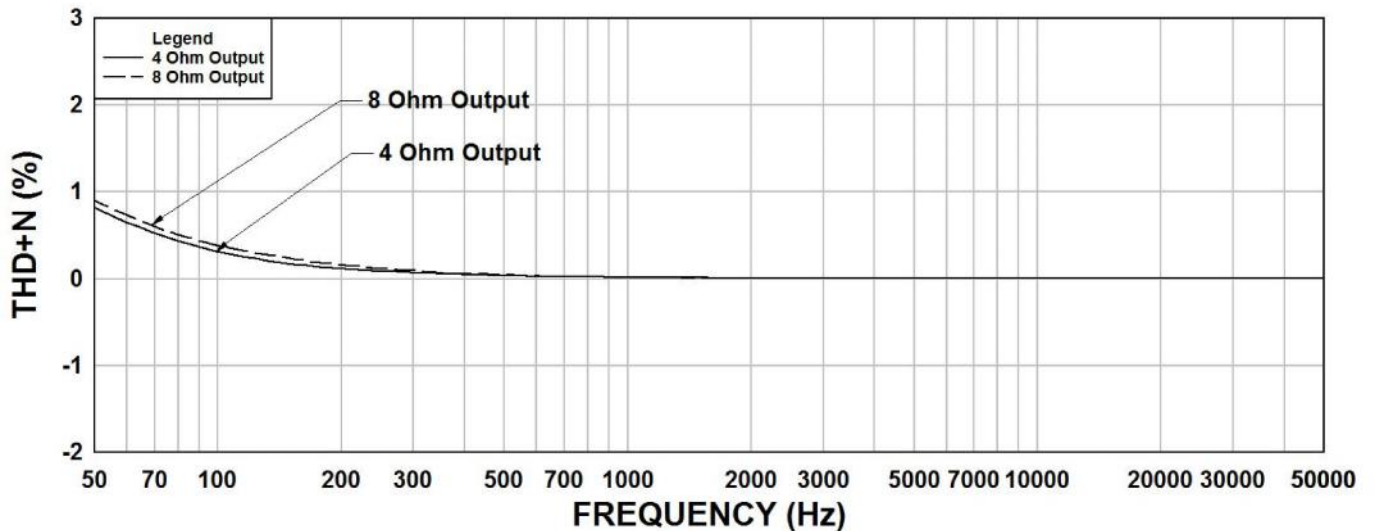
125J Frequency Response 4K Input



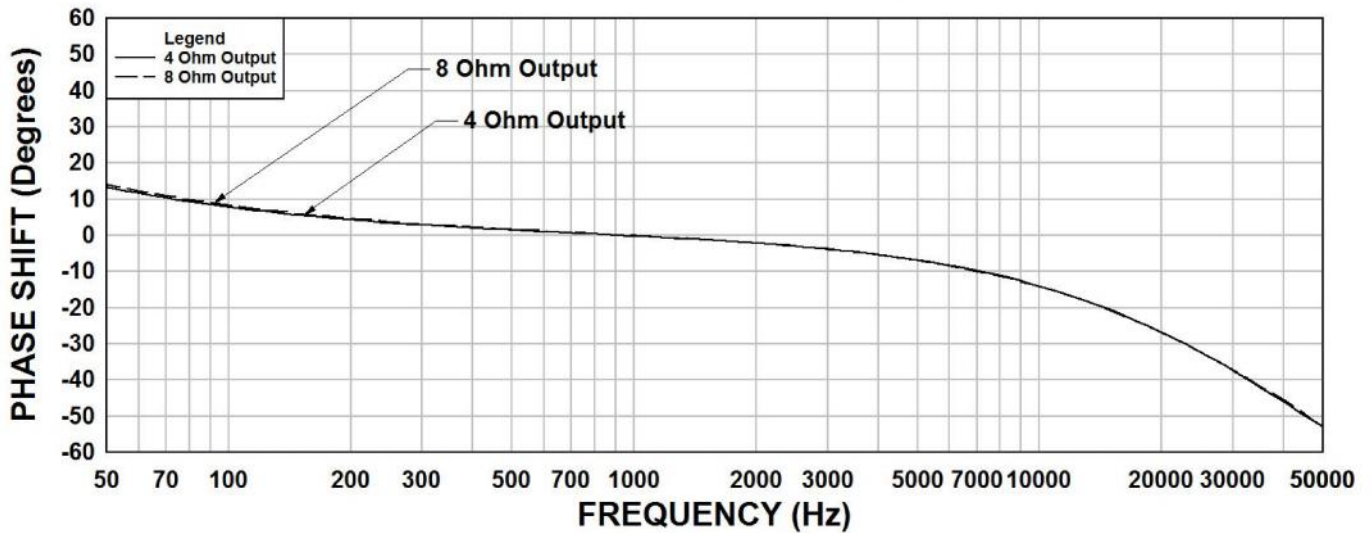
125J THD+N 2.5K Input



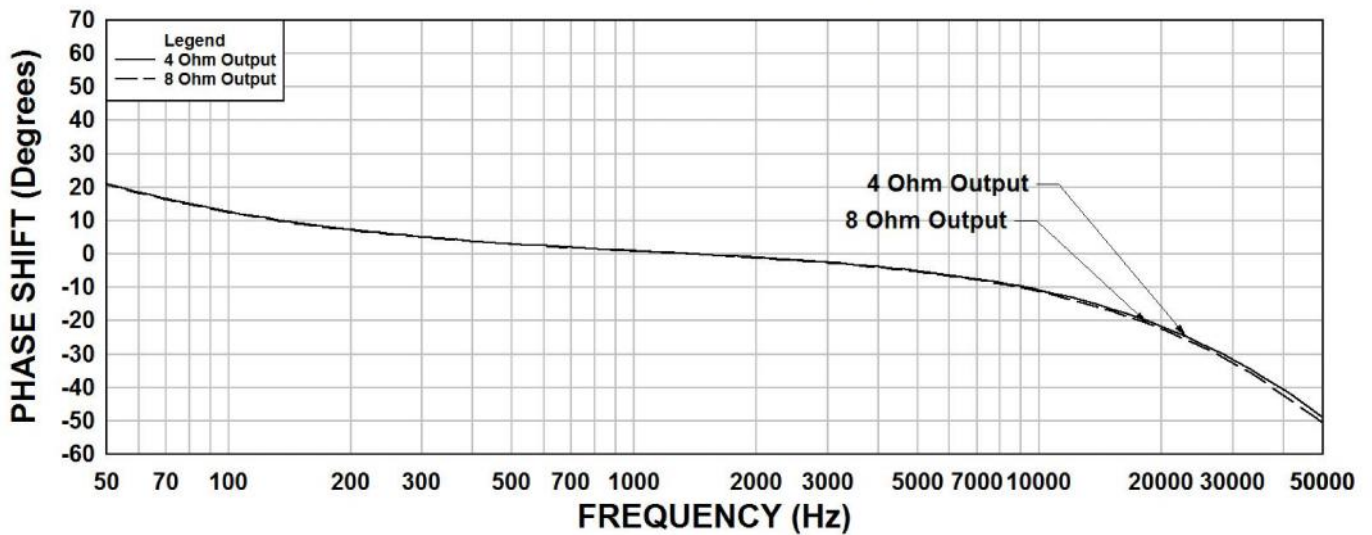
125J THD+N 4K Input



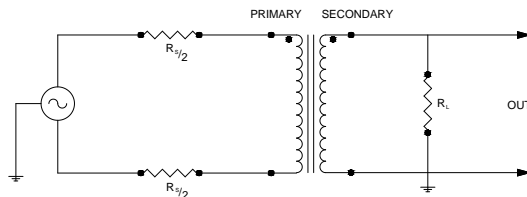
125J Phase Shift 2.5K Input



125J Phase Shift 4K Input



TYPICAL TEST CIRCUIT



Measurement instruments
 Hp4192a impedance analyzer
 Hp3456a DVM
 Keithley 2002 DVM
 D scope series iii audio analyzer
 Wayne Kerr 3255B with a 3265B

* All graphs input level 20dbu.
 ** The results are typical and are subject to normal manufacturing and electrical tolerances.

This drawing and the information in it is the property of Hammond Manufacturing. It may not be reproduced, transmitted or used in any manner whatsoever without the written permission of Hammond Manufacturing. Data subject to change without notice.