

PART No. 1401VC

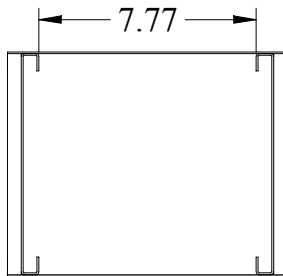
for more information visit
www.hammondmfg.com

Data subject to change without notice

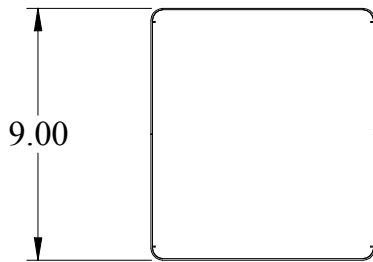
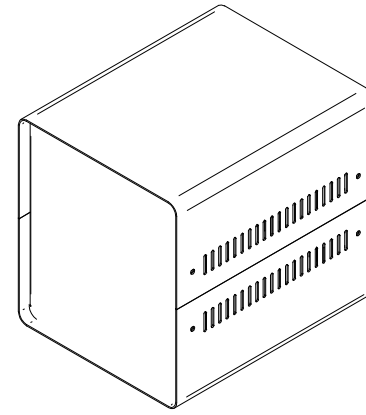
ISOMETRIC VIEW NOT TO SCALE



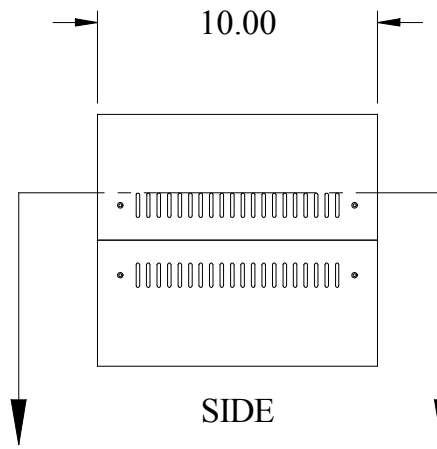
TOP



SECTION A-A



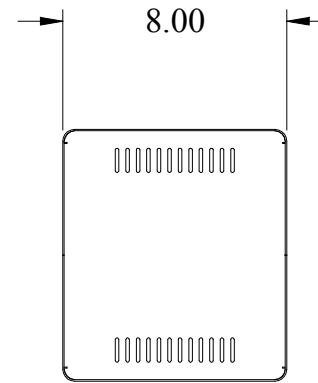
FRONT



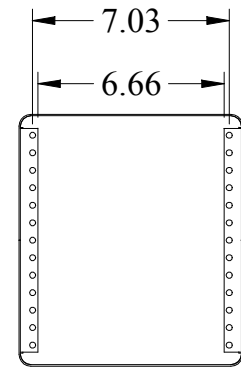
SIDE

A

A



REAR



REAR PANEL REMOVED