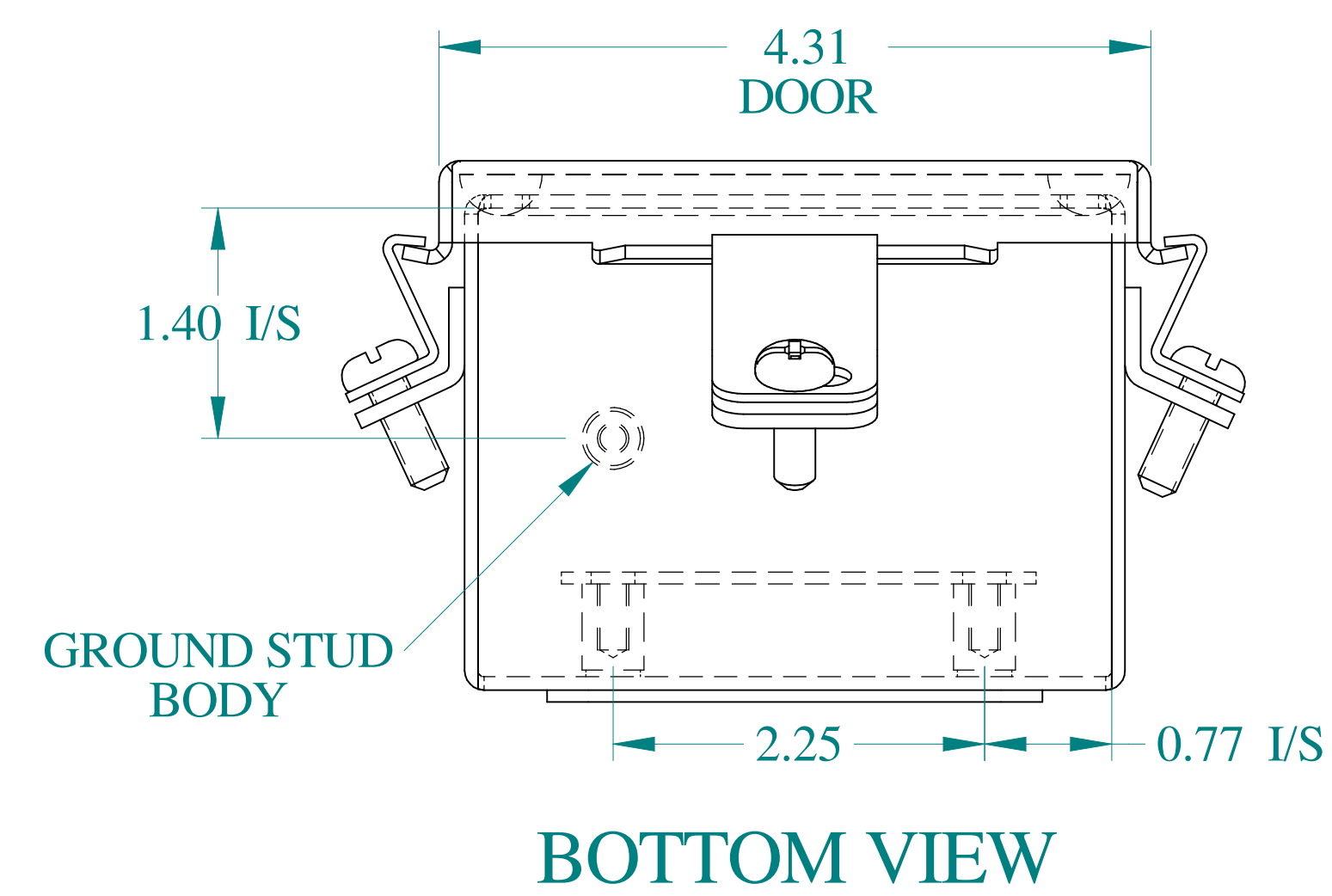
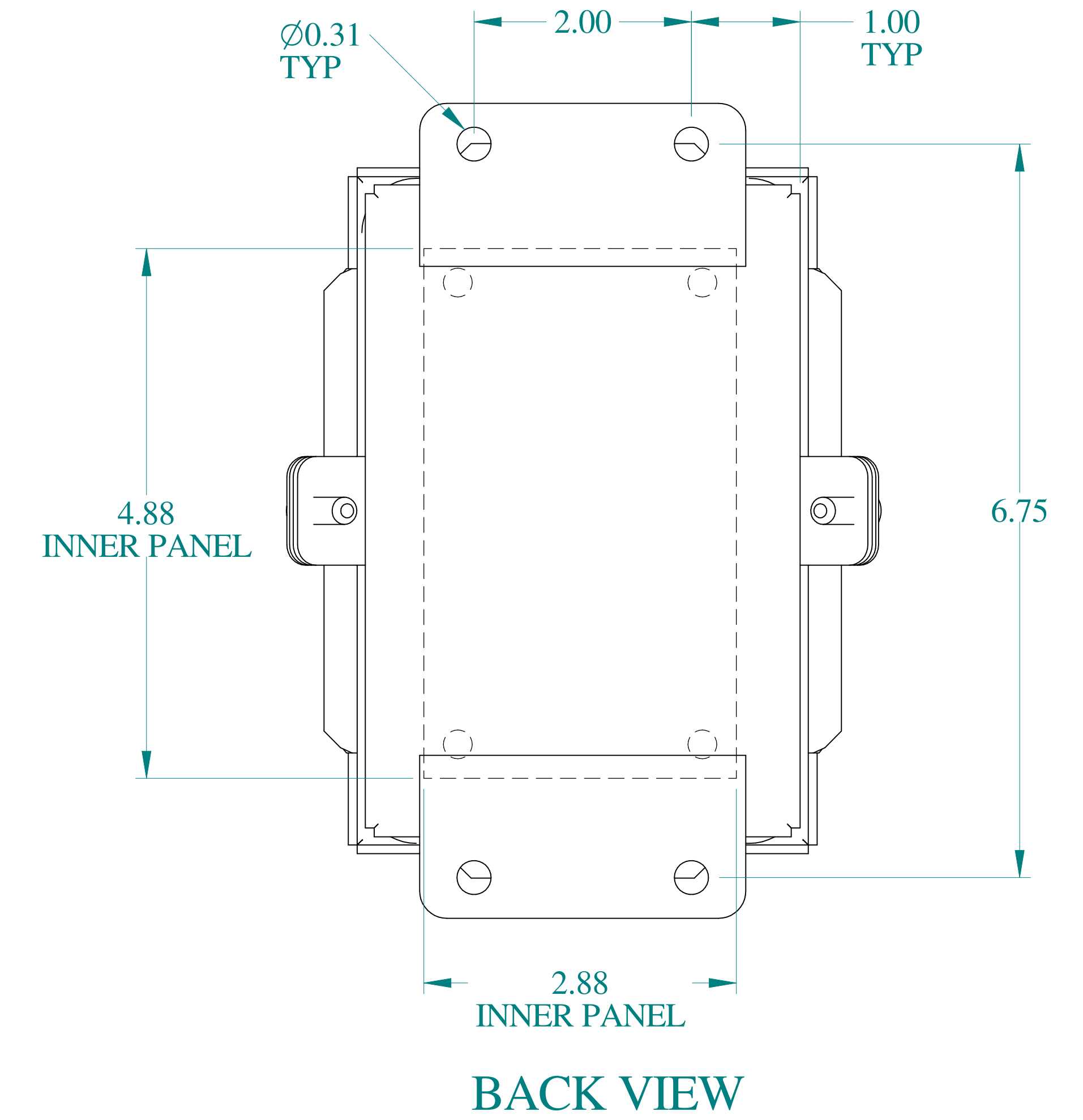
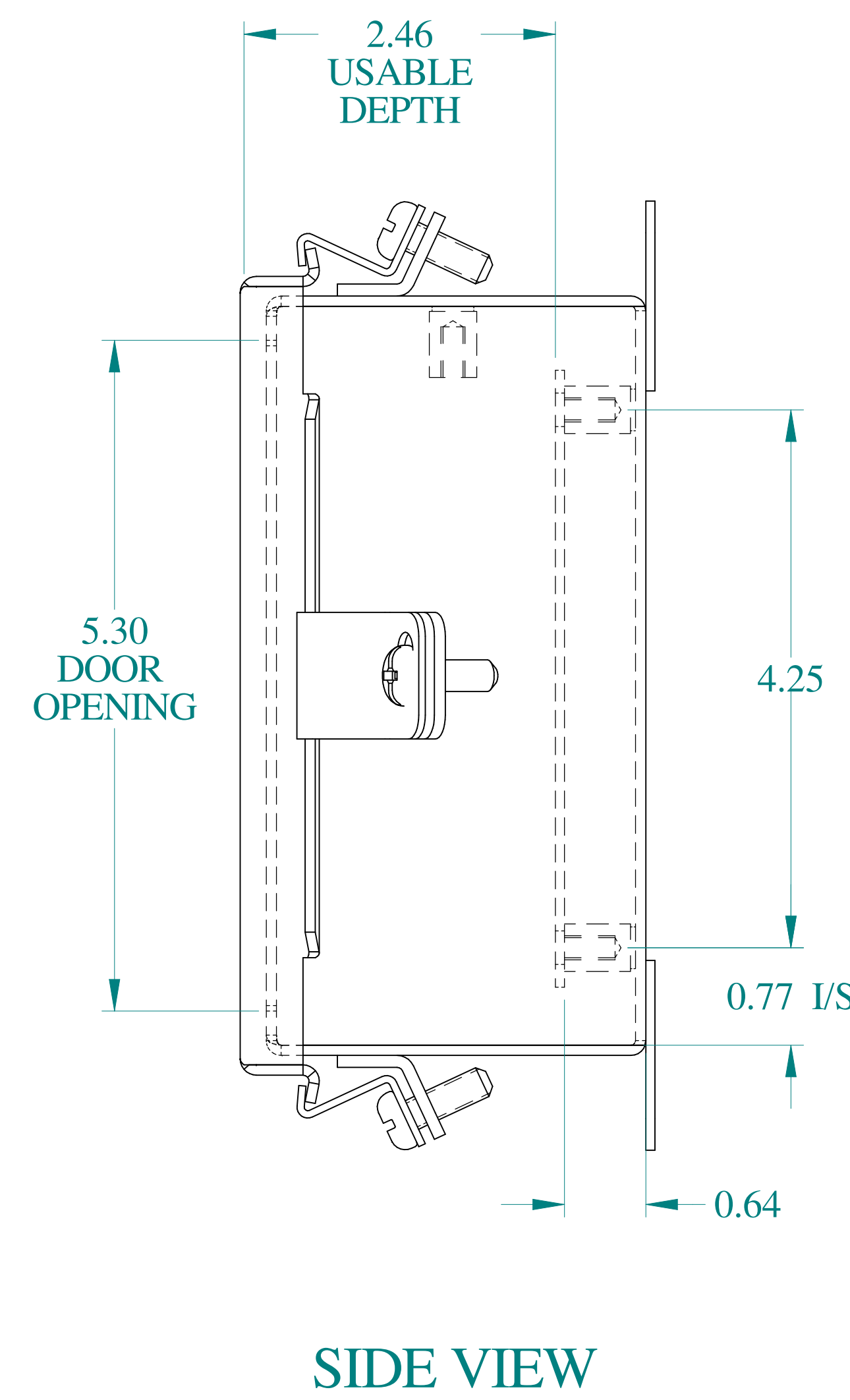
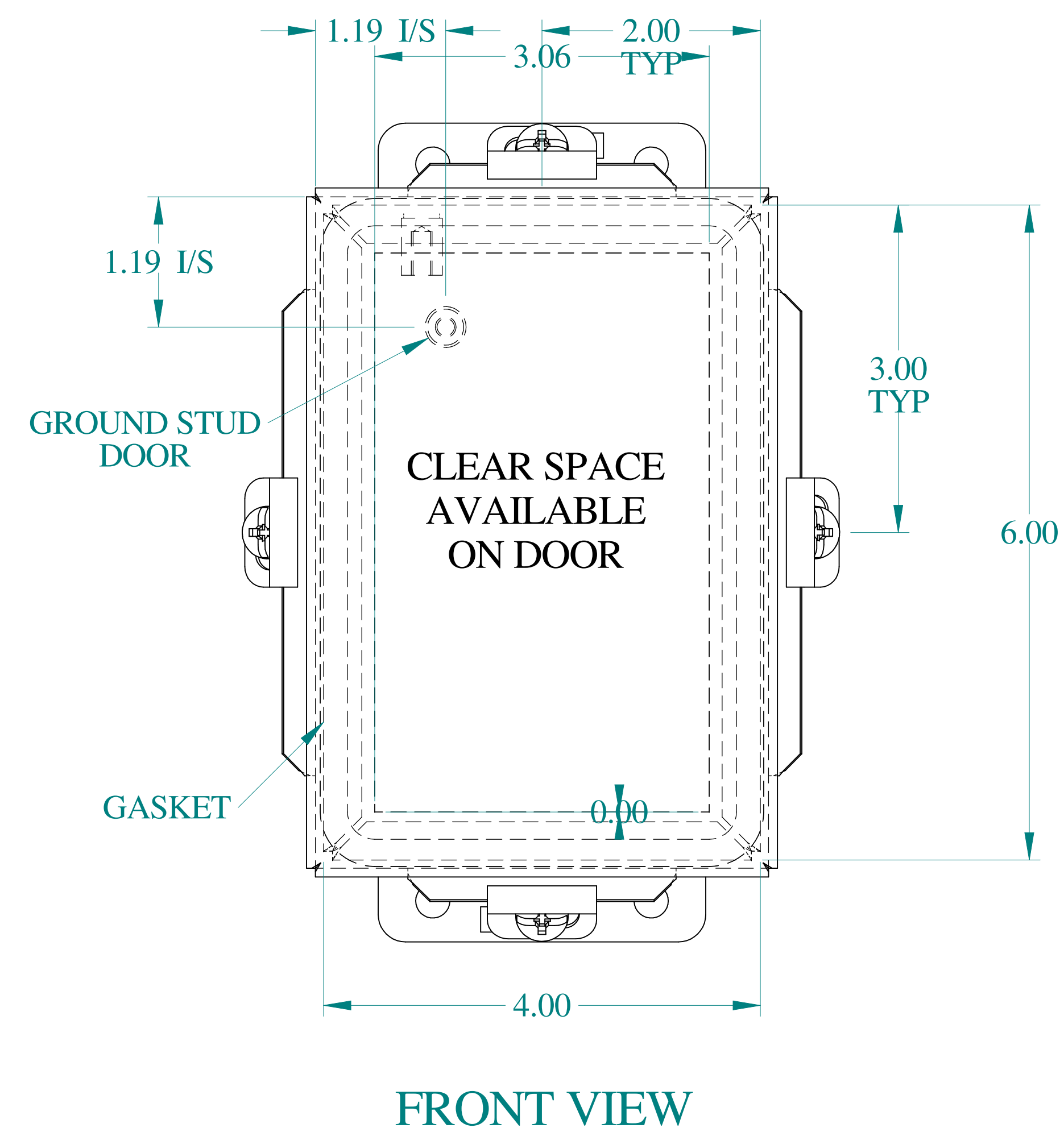
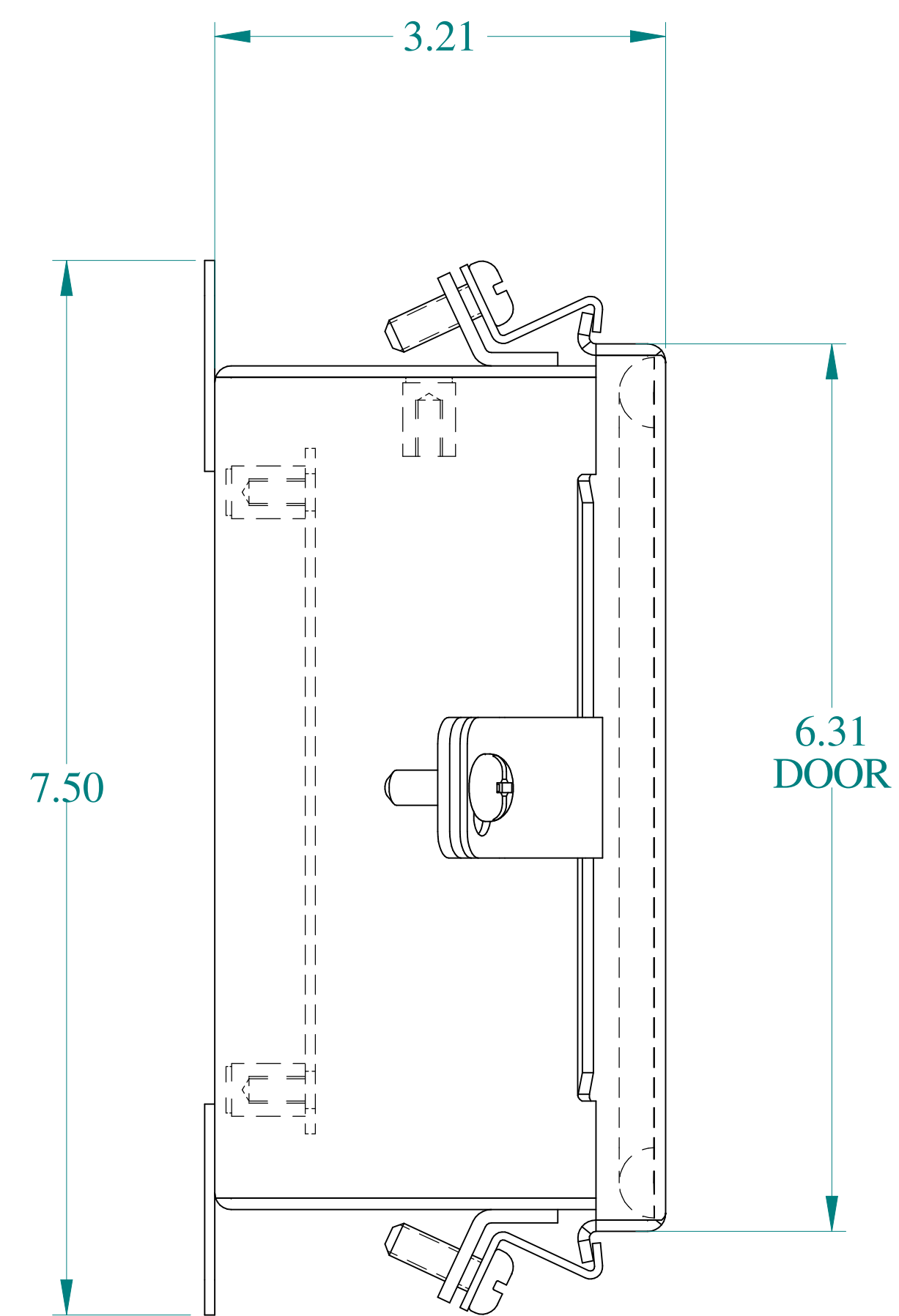


ISOMETRIC VIEWS



Data subject to change without notice.

Part #: 1414N4ALC Date: Mar. 25, 2019

Link: www.hammmfg.com/1414N4ALC