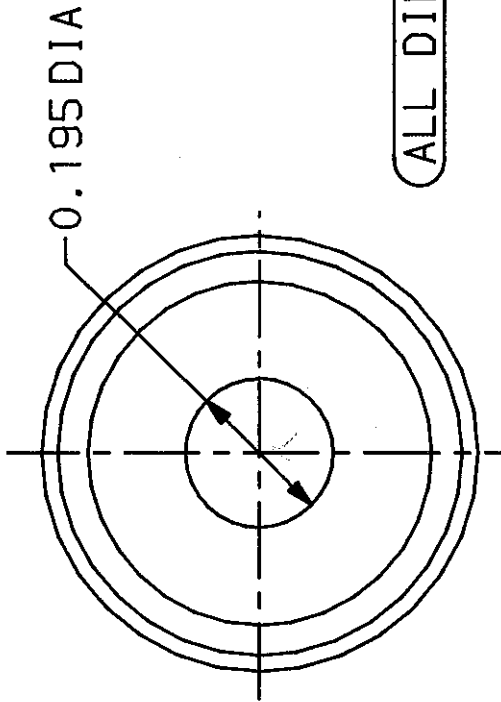
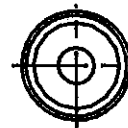
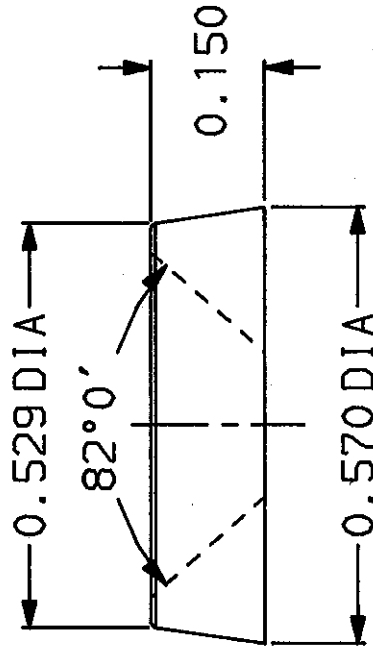


MATERIAL: DUPONT ZYTEL #101L
NYLON



ALL DIMENSIONS ±.005



ACTUAL SIZE

UNLESS OTHERWISE SPECIFIED DIMENSIONS ARE IN INCHES TOLERANCES ARE:		ORDER NO. 3	DRAWN BY M.M.		88/02/29	TITLE PLASTIC CUP WASHER FOR 10-32 CSK.SCREW	HAMMOND MANUFACTURING CO. LTD. GUELPH ONTARIO CANADA CABINETRY	
.X	±.1	CHECKED BY M.M.						
.XX	±.08	ISSUED DATE						
.XXX	±.02							
.XXXX	±.005					SIZE AH	DRG. NO. PWAM25490	REV. A
ANGLES	± 0.5°	APPROVALS		DATE		SCALE N.T.S	DO NOT SCALE	SHEET NO. 1 OF 1