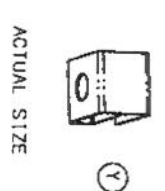
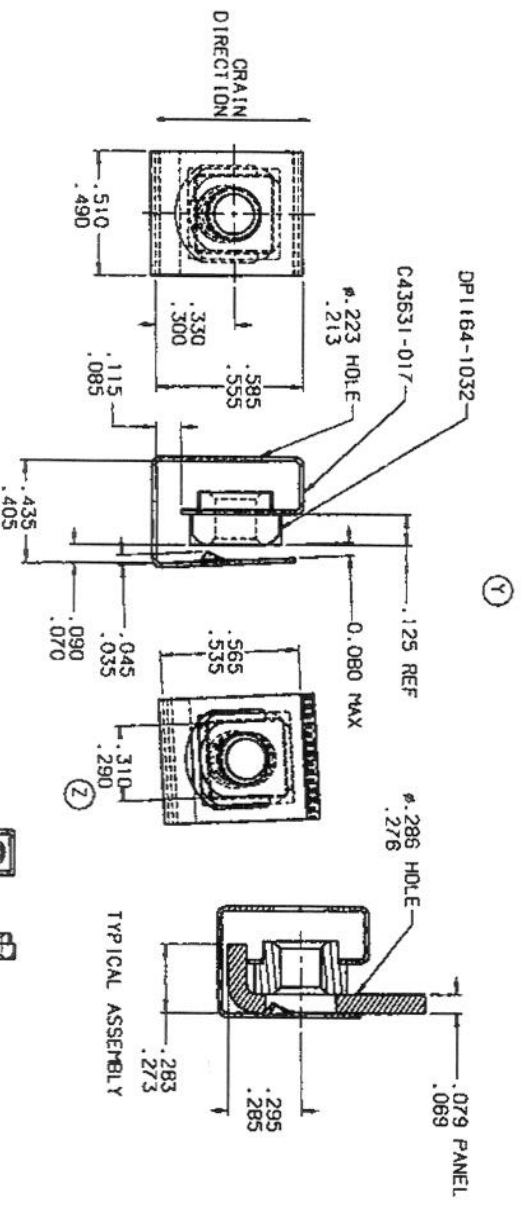
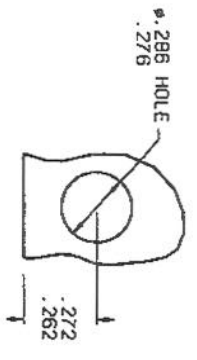


NT5165221

U31/58-1032

REV 2



NOTE: "D" STAMP AND 1032 IDENTIFICATION TO APPEAR ON FACE OF PART. DIMENSIONING AND TOLERANCING PER ASME Y14.5M.



RECOMMENDED HOLE LAYOUT IN .060 - .070 FLAT PANEL

E.C. OR REV		DESCRIPTION	DATE	DR	CK	APP
2980	Y	HEX NUT DESIGN REMOVED	02/06/02	MV	RR	HR
3110	Z	REDRAWN ON NEW BORDER	11/22/02	MV	RR	HR
		HORSESHOE PUNCH ADDED				
		.310/.290 ADDED				

DRAWN BY		DATE	CHECKED	SCALE	APPROVED
J A L		05/03/62	J H P	2:1	W R S
MATERIAL		THICKNESS	HEAT TREAT	FINISH HARDNESS	
SAE 1050-1065		.017	AUSTEMPER	Rc44-51	
NAME		MISCELLANEOUS - NUT RETAINER		PRODUCT CODE #	
				893	
SPECIAL FEATURES:		DWC NO		SIZE	
SHEET: 1		OF: 1		B	