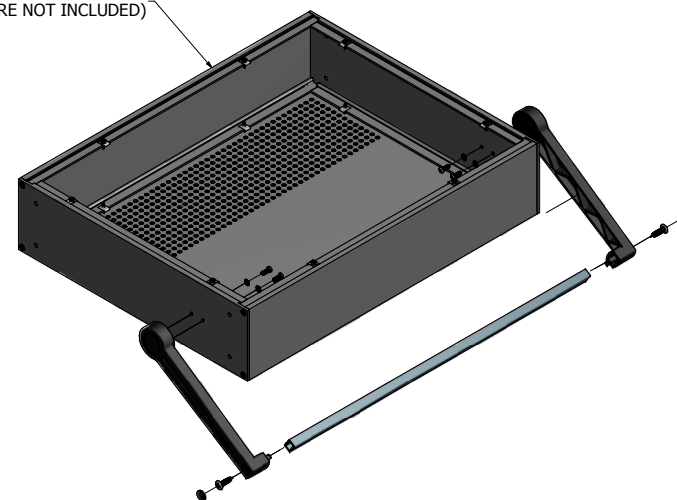


TYPICAL INSTALLATION
(ENCLOSURE NOT INCLUDED)



1427BAILKIT2

Bails - Black Polycarbonate (2x)

Handle - Black Anodized Aluminum Extrusion

Hardware

2 - #8 x 3/4" AB Type Screws

2 - Black Cap Covers

4 - M3 X 10 Screws

4 - #4 Locktooth Washer



HAMMOND
MANUFACTURING™

1427BAILKIT2

www.hammondmfg.com