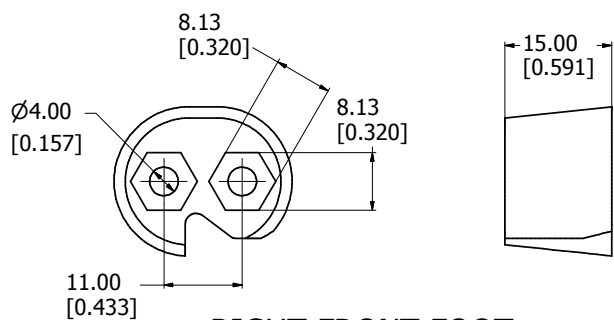
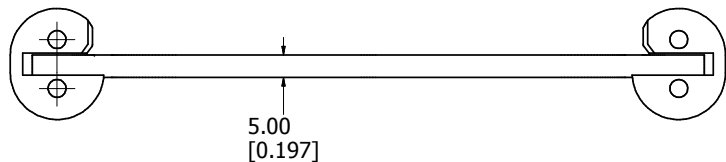
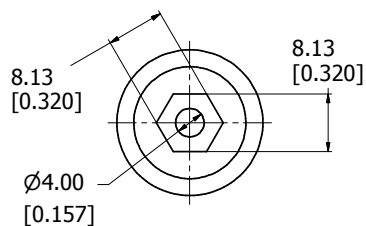


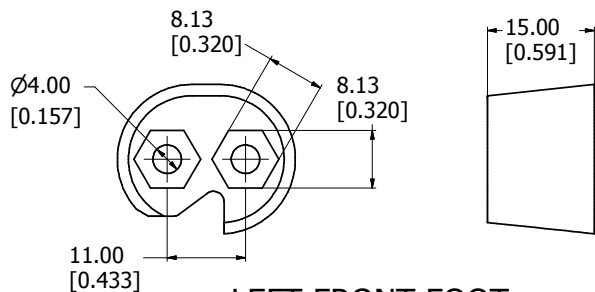
BAIL WITH FRONT FEET



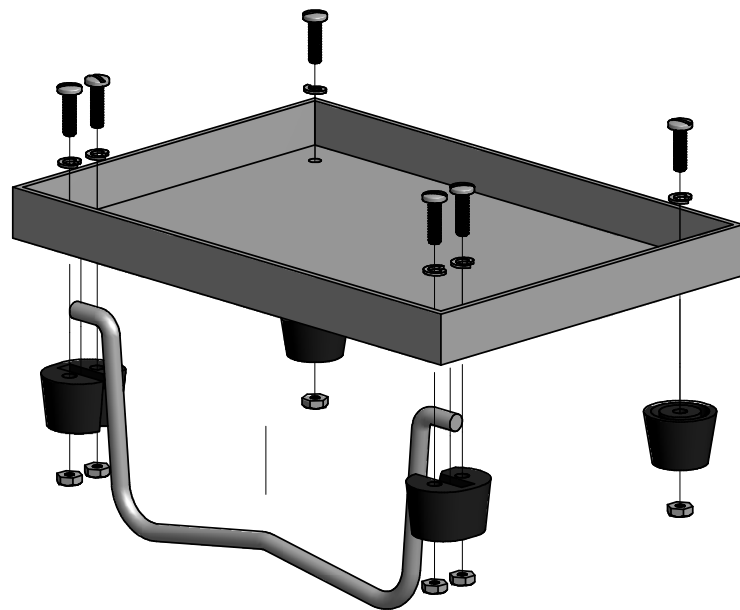
RIGHT FRONT FOOT



BACK FOOT



LEFT FRONT FOOT



EXPLODED BAIL ASSEMBLY (BOX NOT INCLUDED)

<b>1427D5</b>
Bail - Bright Chrome Plated Steel
Feet - Matte Black Plastic
<b>Hardware</b>
6 Screws - Panhead 6-32 x 1/2"
6 Nuts - #6-32 Hex Nut
6 Washers - #6 Lock-Washer
**note bail sold singly



HAMMOND  
MANUFACTURING™

1427D5