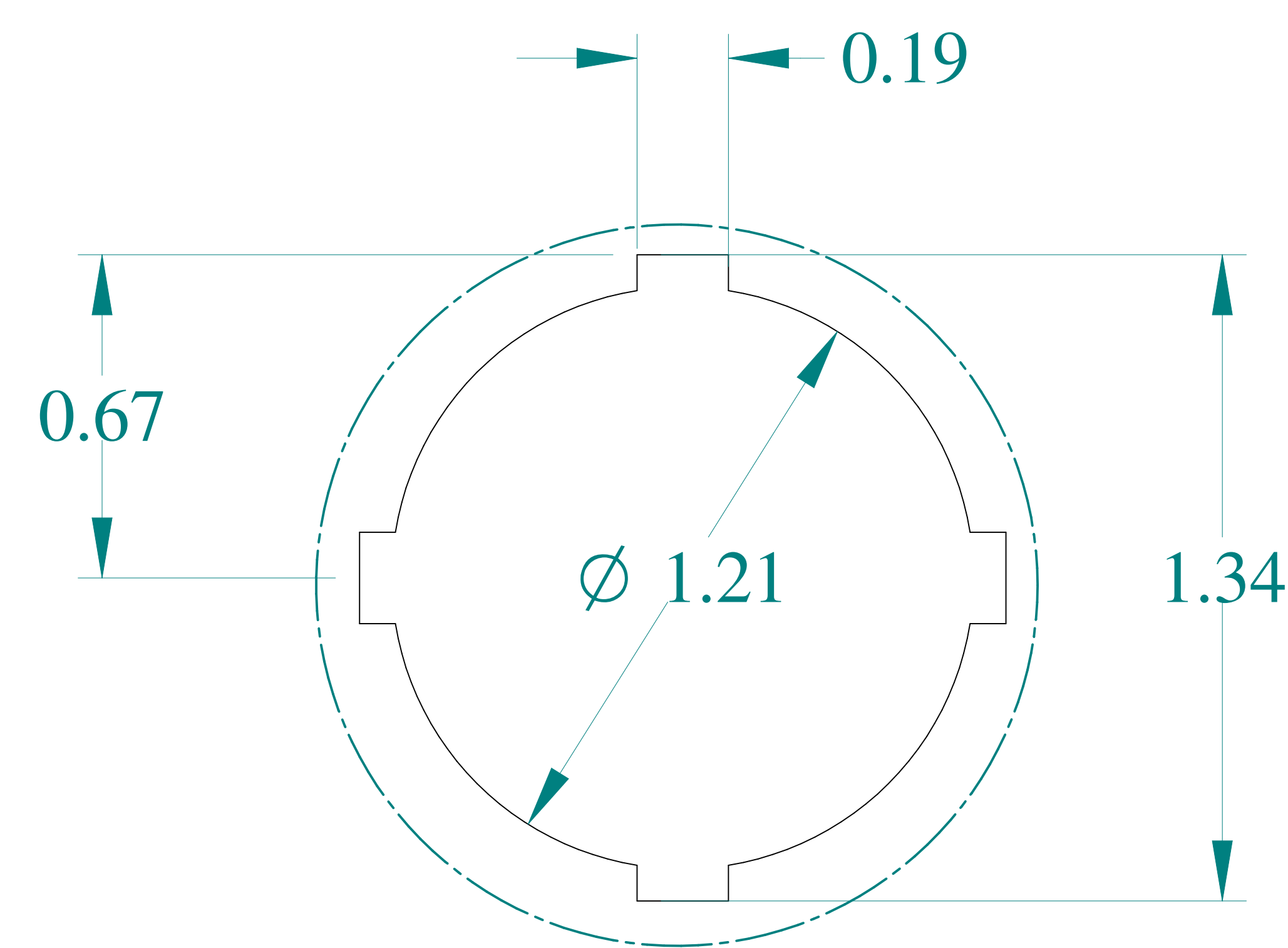
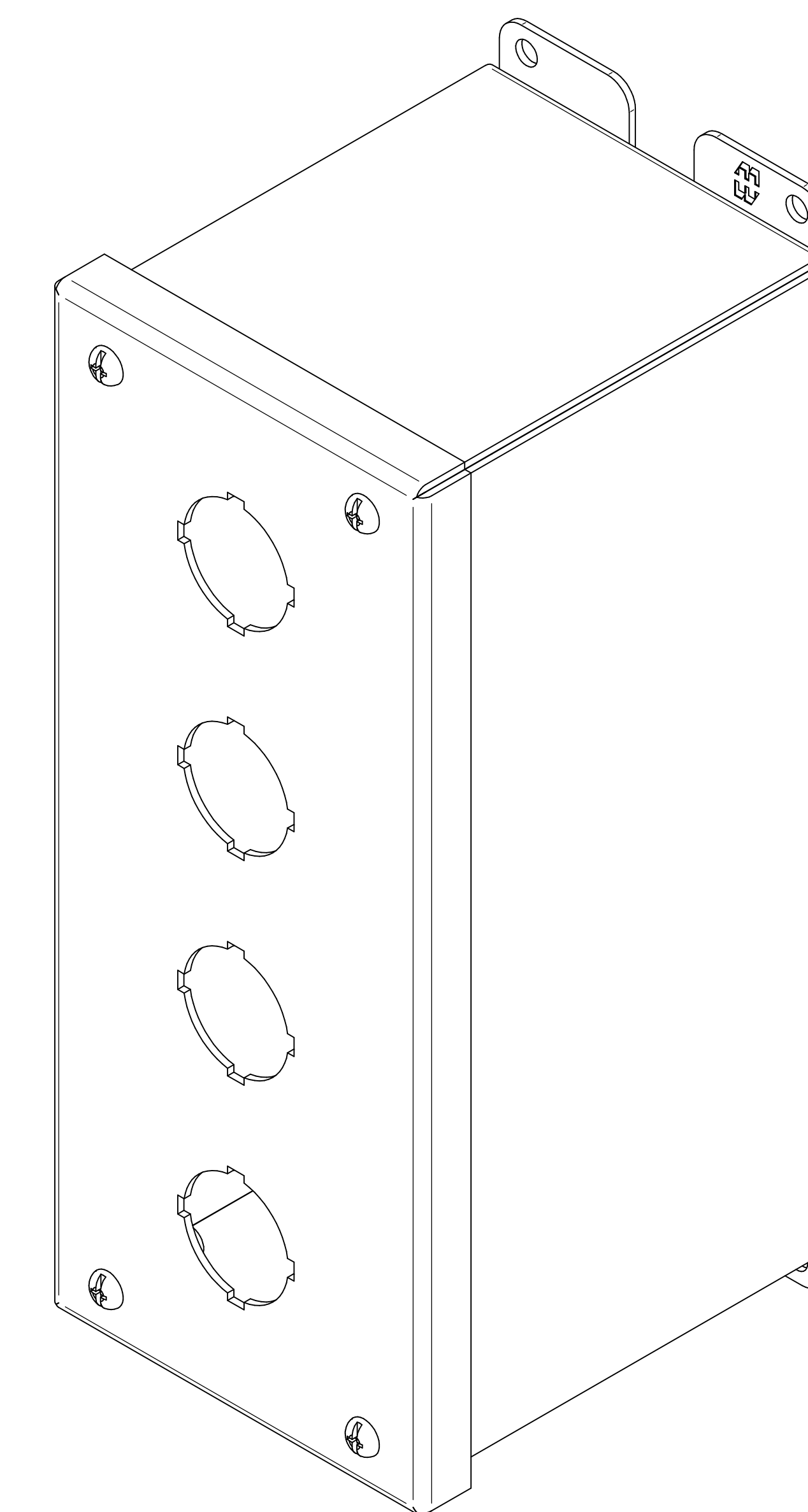


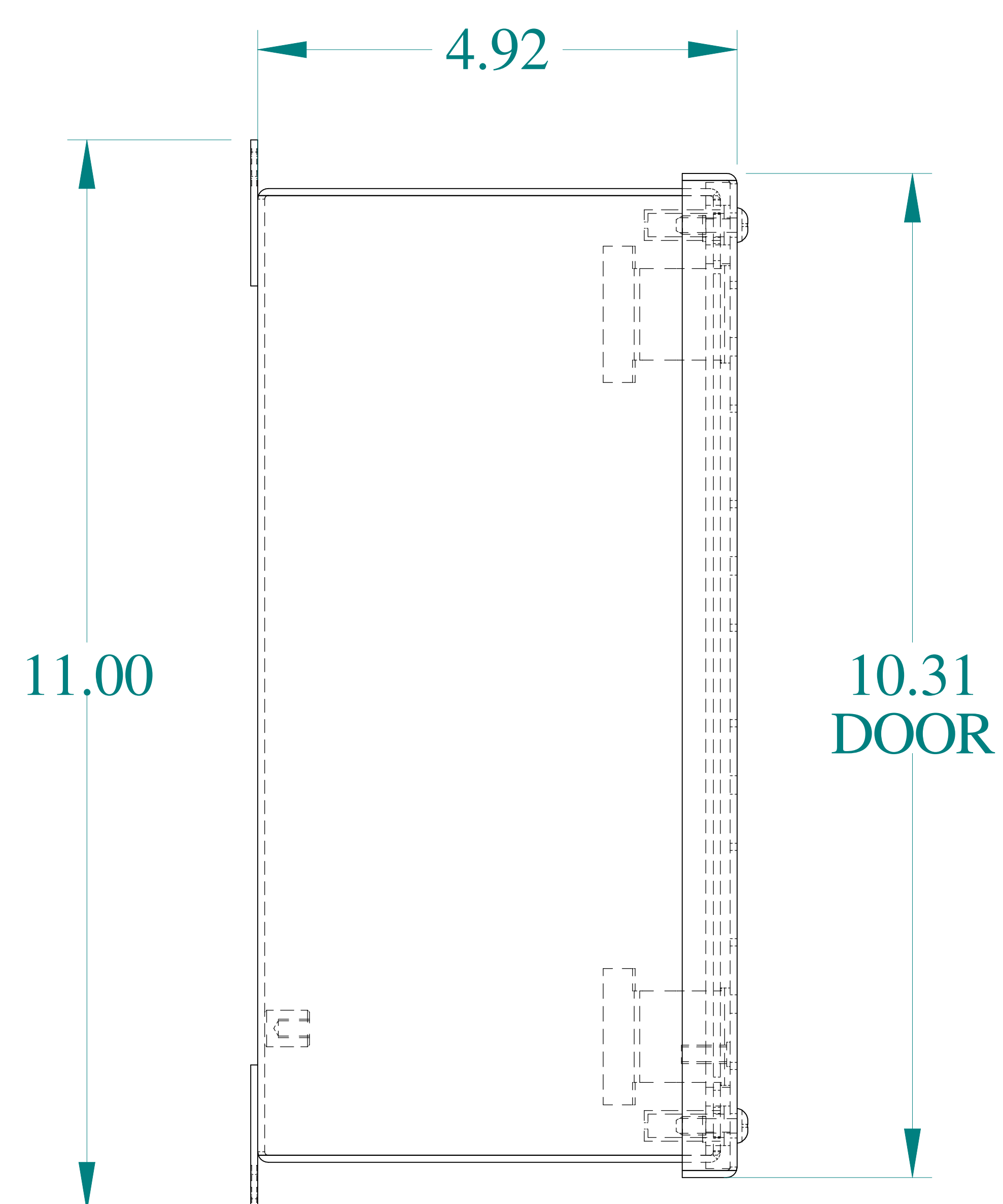
TOP VIEW



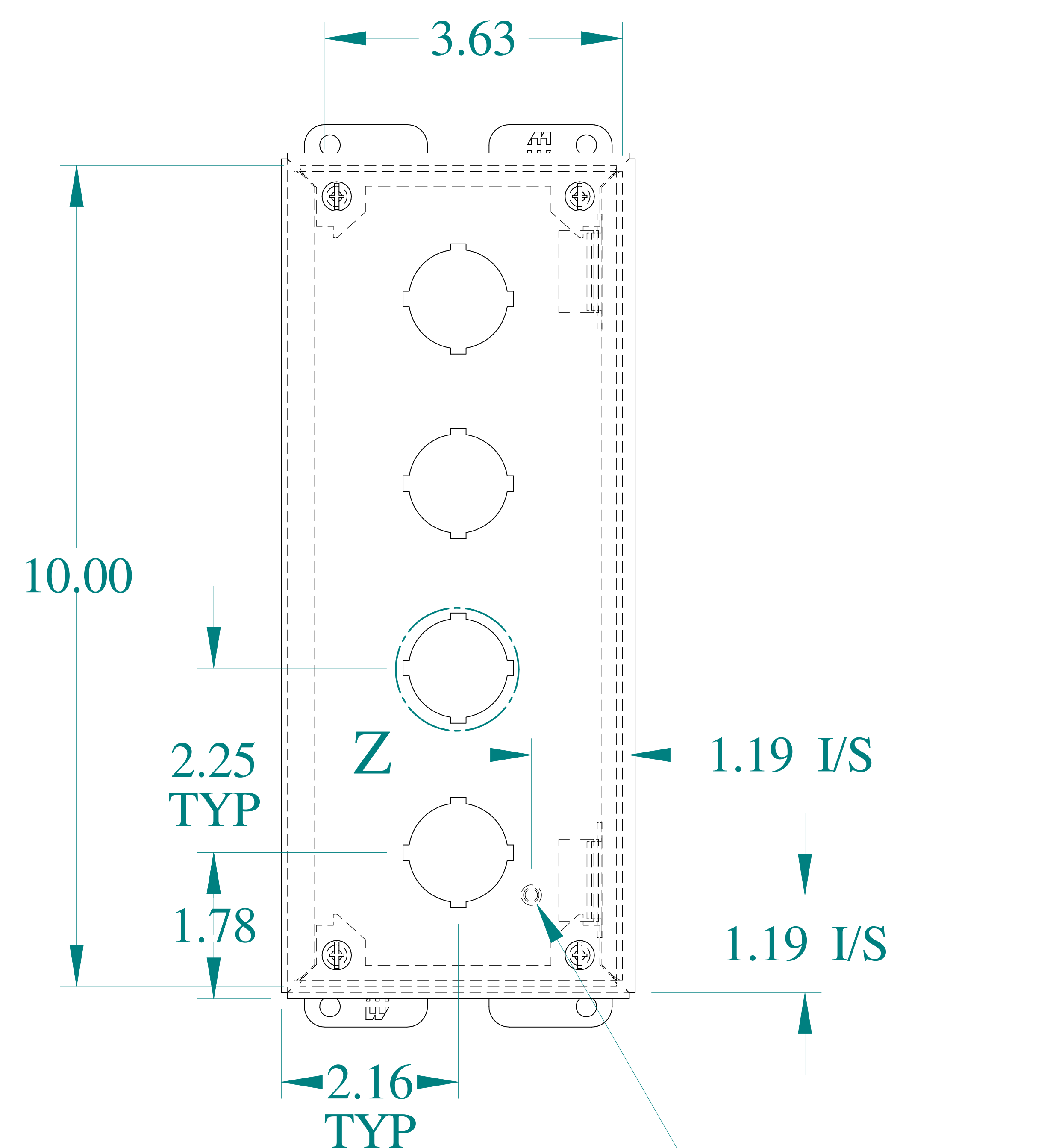
DETAIL Z
TYP



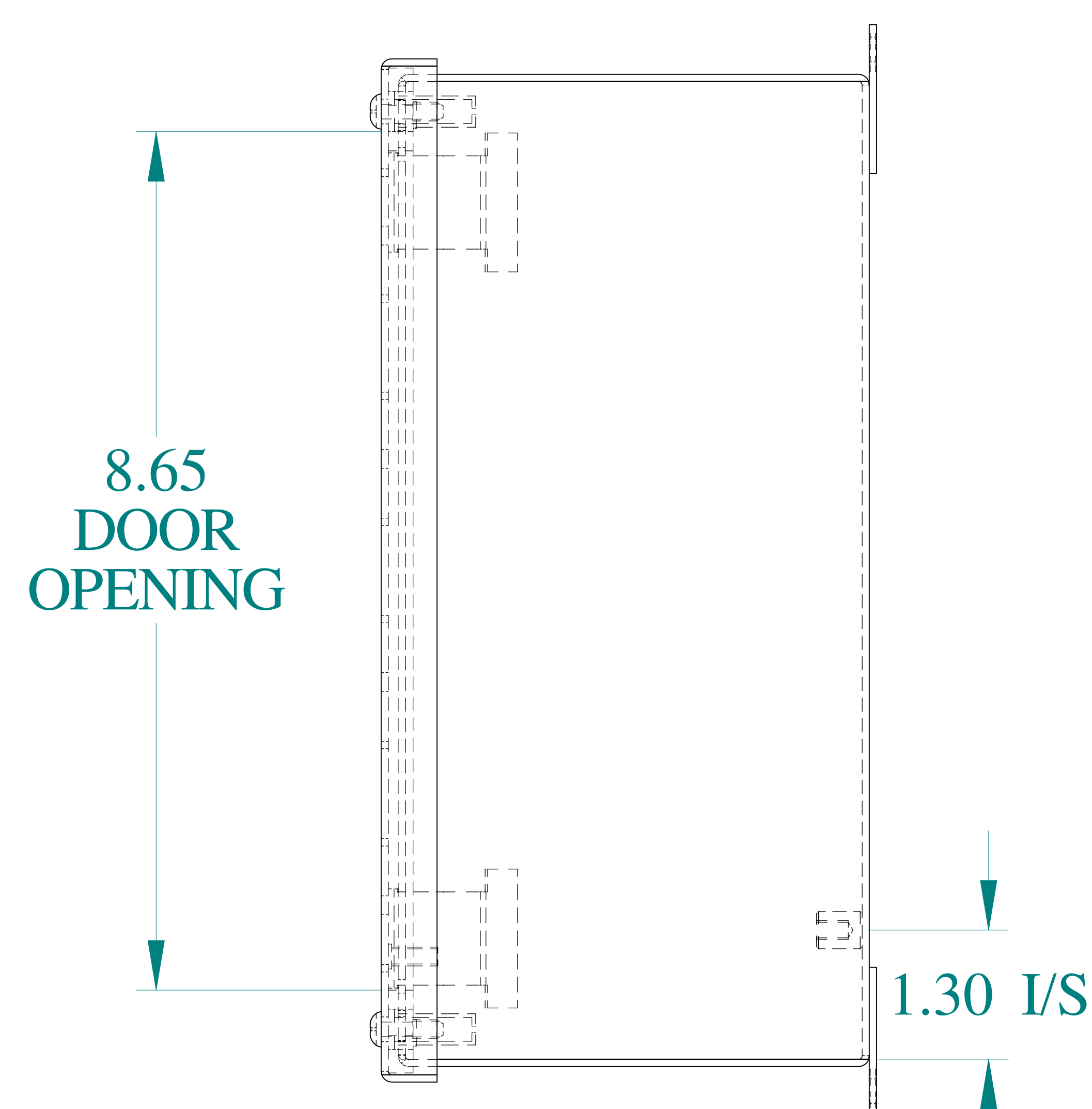
ISOMETRIC VIEWS



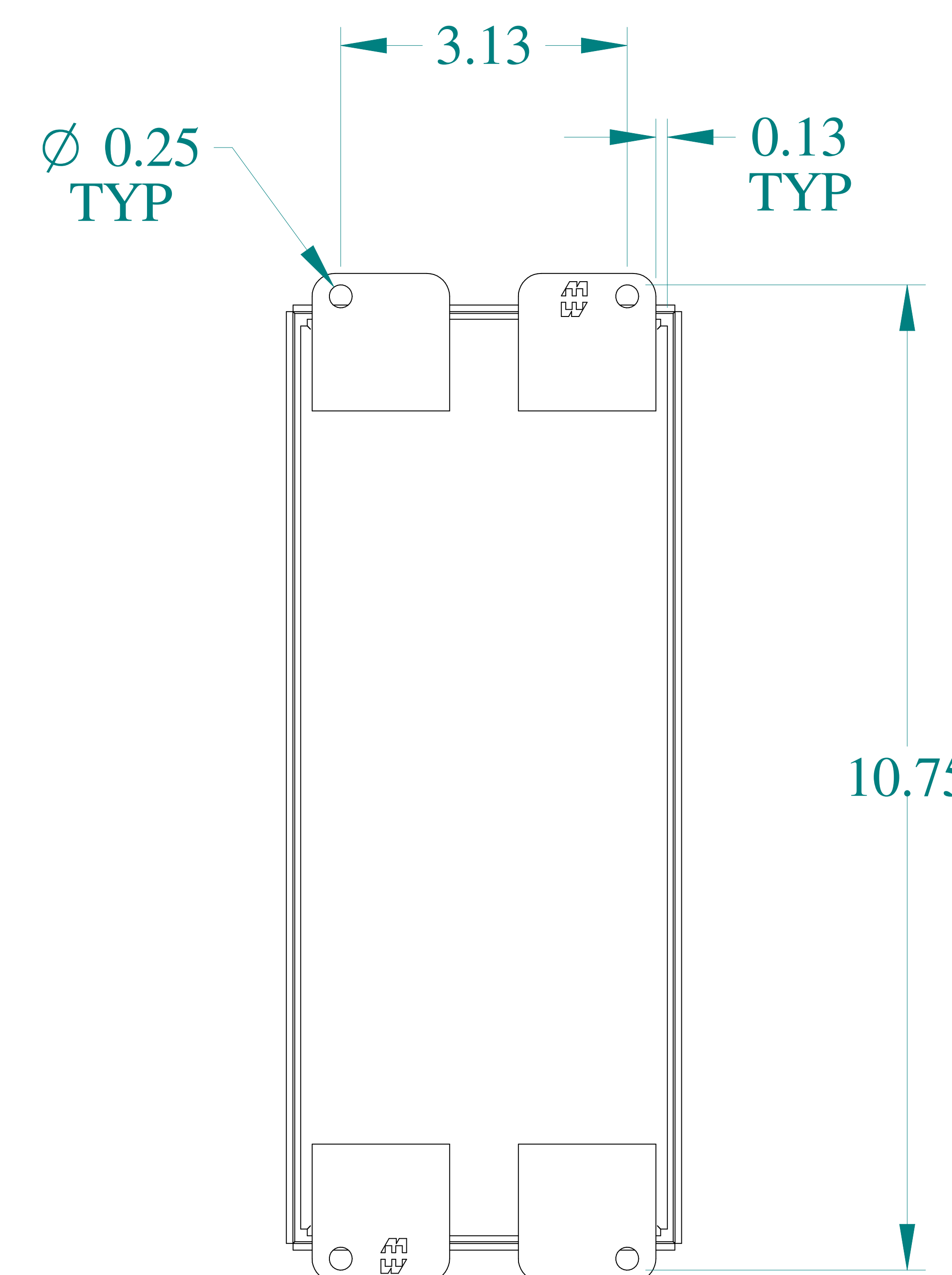
SIDE VIEW



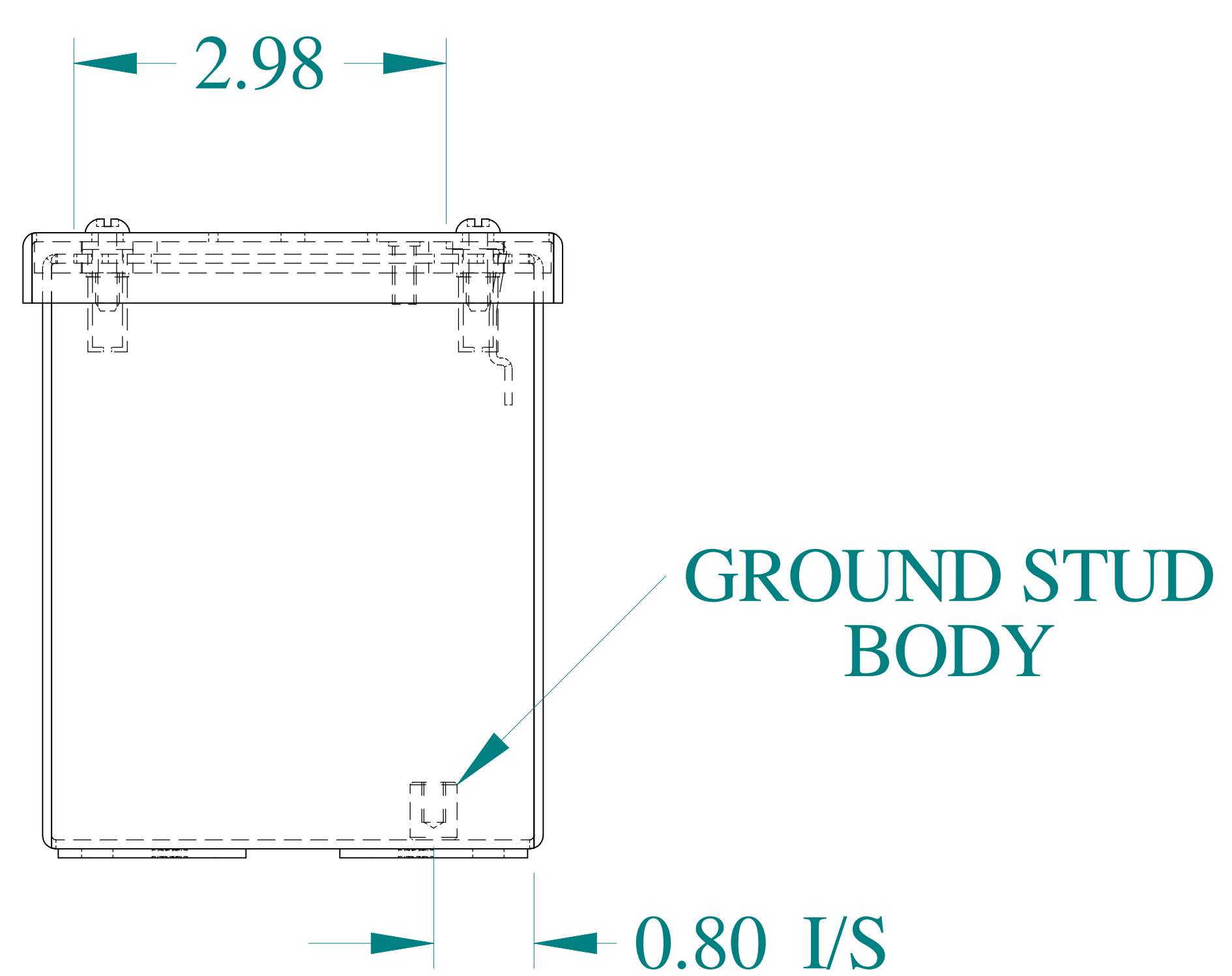
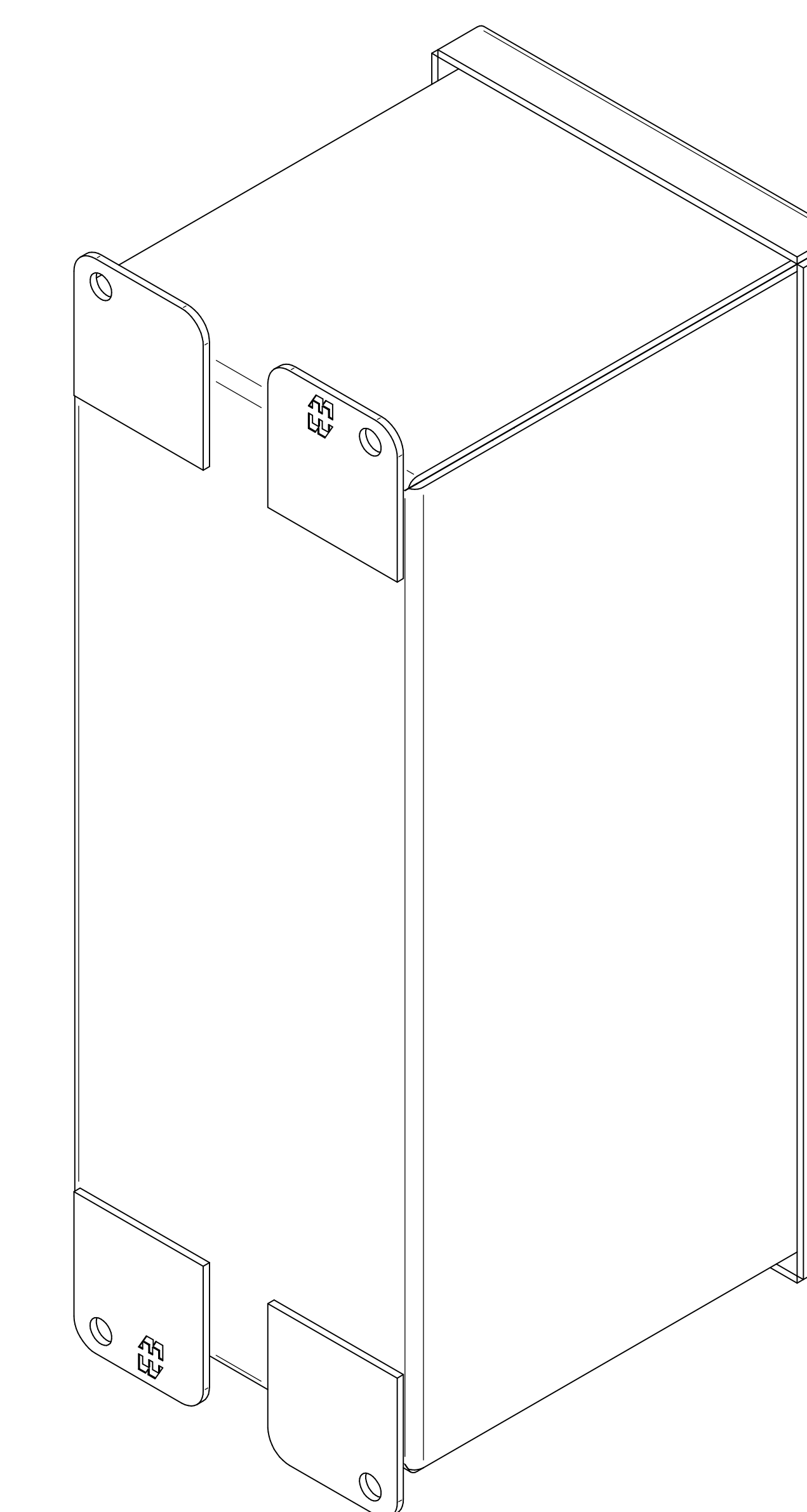
FRONT VIEW



SIDE VIEW



BACK VIEW



BOTTOM VIEW

GROUND STUD
BODY



**HAMMOND
MANUFACTURING®**

www.hammondmfg.com

Data subject to change without notice.

Part #: 1437S16D

Date: Mar. 24, 2019

Link: www.hammg.com/1437S16D