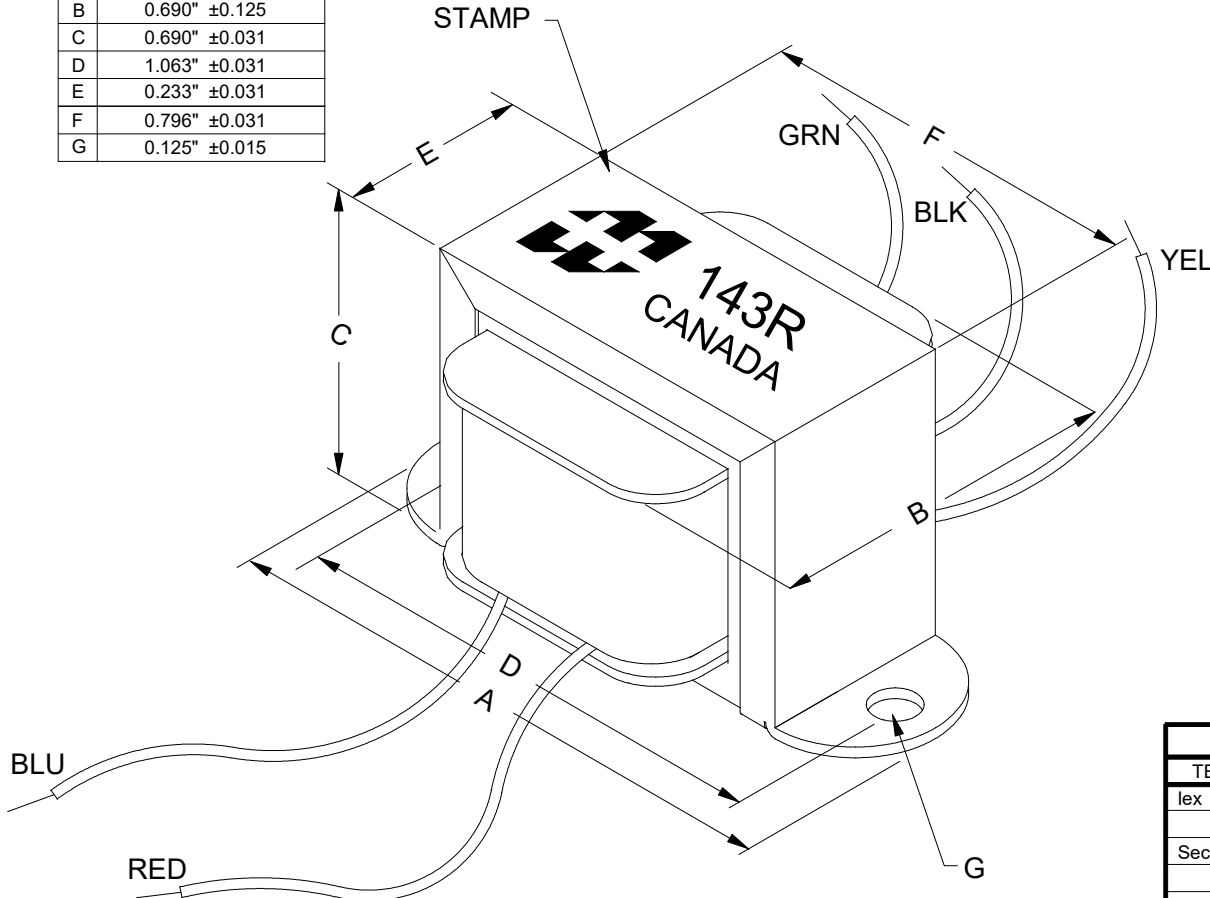
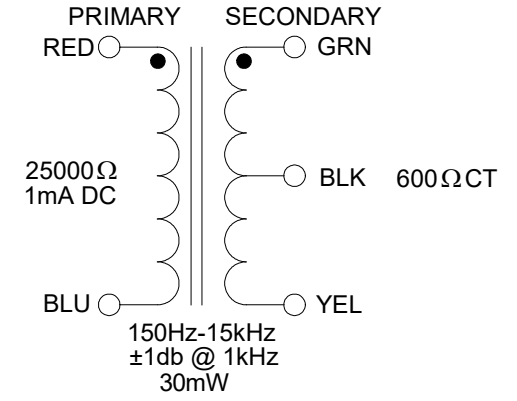


DIMENSIONS:	
A	1.266" ±0.031
B	0.690" ±0.125
C	0.690" ±0.031
D	1.063" ±0.031
E	0.233" ±0.031
F	0.796" ±0.031
G	0.125" ±0.015



NOTE: ALL LEADS 4" LONG MIN.



ELECTRICAL DATA:		
TESTS	CONDITIONS	ACCEPTANCE CRITERIA
lex	@ 28V, 150Hz, RED - BLU	1mA Max.
Sec. N.L.V	@ 28V, 1kHz, RED - BLU	
	GRN - YEL =	4.353V ±2%
	GRN - BLK = BLK - YEL =	2.176V ±2%
DCR	@ 20°C, RED - BLU =	1.84kΩ ±15%
	@ 20°C, BLK - GRN =	21.03Ω ±15%
HIPOT	PRIMARY - SECONDARY	250V, 60Hz, 1 SEC

REV.#	REVISION	DATE	HAMMOND MANUFACTURING™		ELECTRONIC DIVISION	
0	RELEASED.	C.I. 03/24/25	52 RANKIN PLACE, WATERLOO, ONTARIO, N2J 3Z5		PH # (519) 886-6181 FAX # (519) 886-9540	
			DWG. BY: C. ILIE	CHK'D BY:	TITLE: AUDIO TRANSFORMER	DWG. NO. 143R
			DATE: 03/24/25	APP'D. BY:		
				DIMENSIONS: IN(X) MM()		