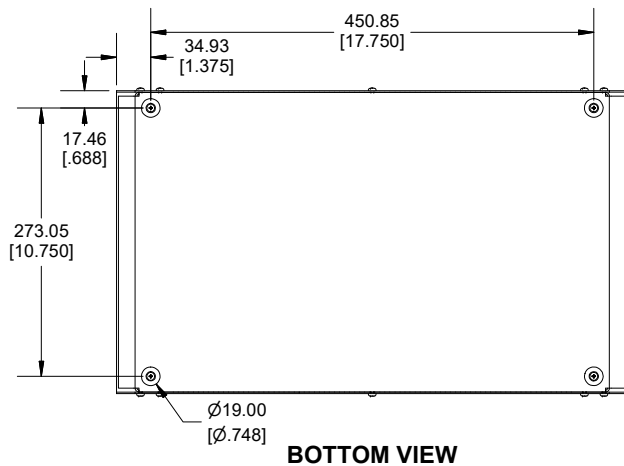
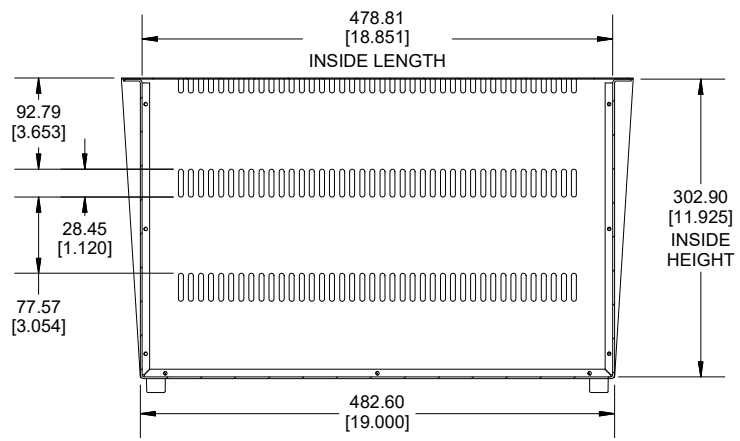


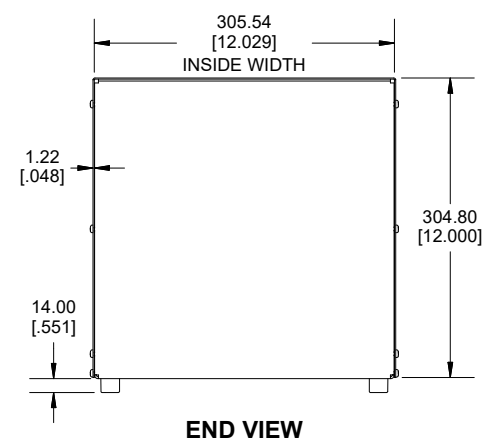
**TOP VIEW**



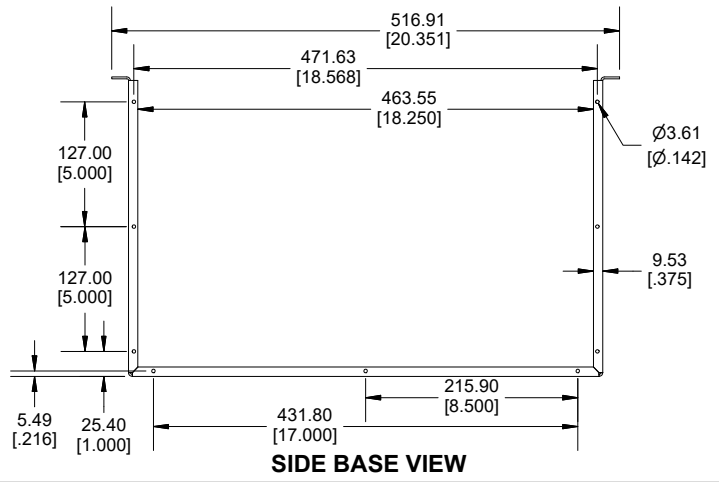
**BOTTOM VIEW**



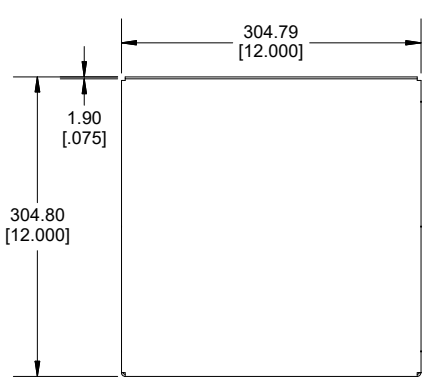
**SECTION A-A  
SIDE VIEW**



**END VIEW**

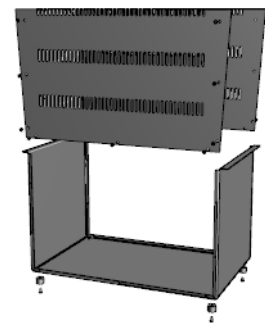


**SIDE BASE VIEW**



**END BASE VIEW**

**Dimensions:**  
mm  
[inches]



Enclosures can be Factory Modified (Milling, Drilling, Printing etc.)  
Contact Factory (modshop@hammfg.com) for quotes  
Solid models of this enclosure available in .stp or .x\_t  
(Part number and text placement/orientation on our products are subject to change,  
we do not recommend using them as a locating reference for modification purposes)

NOTE	
Purchased assembly includes base, cover, rubber feet, cover screws and rubber feet screws.	
<b>Recommended Cover screw torque -- 14-15 lbf-in (160-170 cN-m)</b>	
<b>1453</b>	
<b>1453N Regular Enclosure</b>	
BASE: 14 ga. Steel (beige)	
Cover: 18 ga. Steel vented for cooling (beige)	
Cover screws: (#8-32 X 1/4" self tap) (Pkg 18)	
Feet: 0.75" (19 mm) Rubber (Pkg 4)	
Feet screws: (#8-32 X 3/8" self tap) (Pkg 4)	

**HAMMOND  
MANUFACTURING.**  
**1453N**  
www.hammondmfg.com