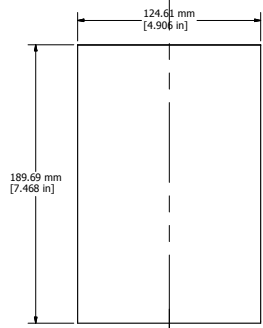
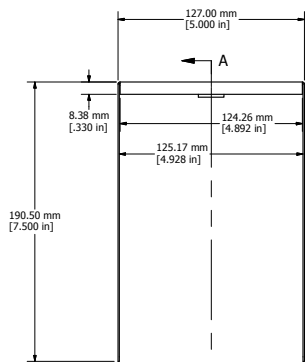
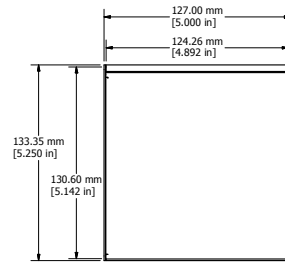


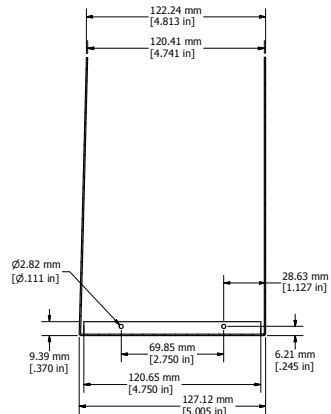
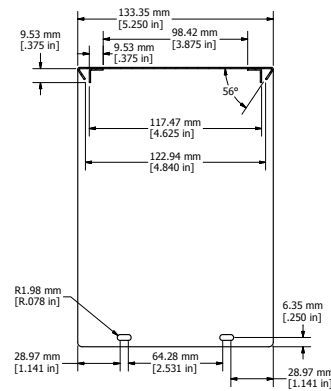
TOP VIEW OF ASSEMBLY



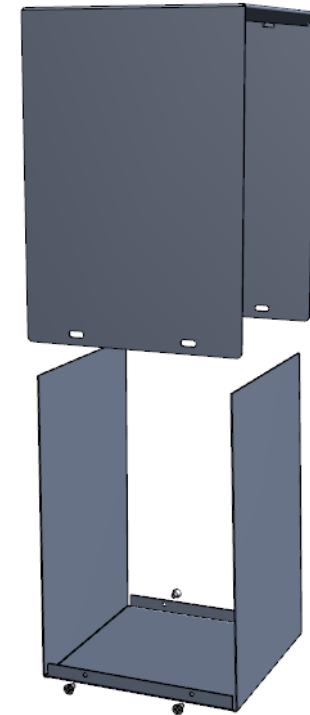
END VIEW OF EXPLODED ASSEMBLY



BOTTOM VIEW OF ASSEMBLY



SECTION A-A  
SIDE SECTION VIEW OF EXPLODED ASSEMBLY



Contact Factory [mjm@hammondmfg.com](mailto:mjm@hammondmfg.com) for quotes  
Enclosures can be Factory Modified (Milling, Drilling, Printing etc.)  
Solid models of this enclosure available in STEP or IGES.

|                                                   |
|---------------------------------------------------|
| <b>1454R</b>                                      |
| <b>Material: 20 ga. Steel, Gray color</b>         |
| <b>Cover: 20 ga. Steel, Textured black finish</b> |
| <b>Screws: 4 Supplied (#6-32 X 1/4" self tap)</b> |
| <b>Feet: Self-Adhesive rubber</b>                 |



**HAMMOND  
MANUFACTURING™**

**1454R**

[www.hammondmfg.com](http://www.hammondmfg.com)