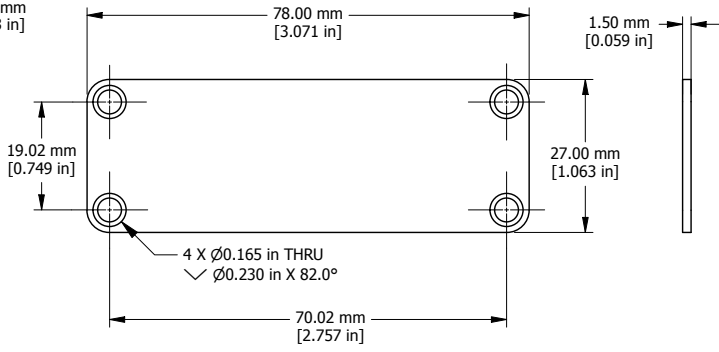
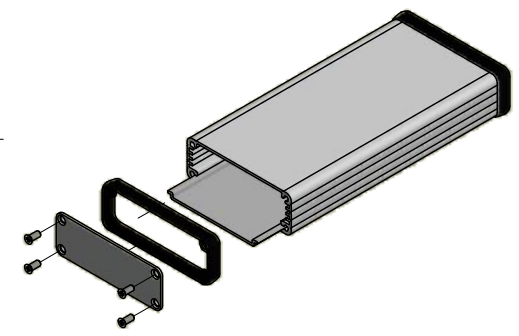


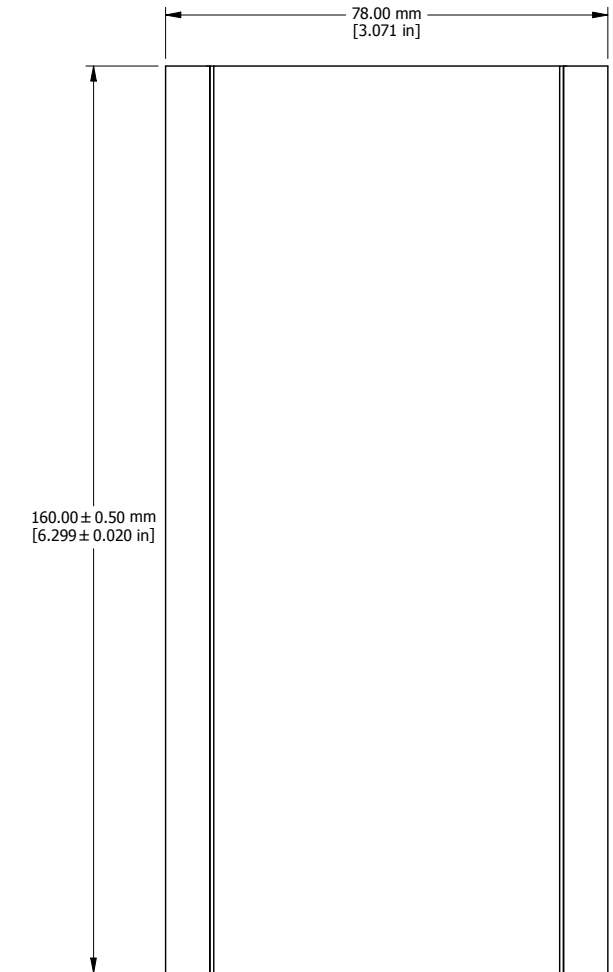
EXTRUSION



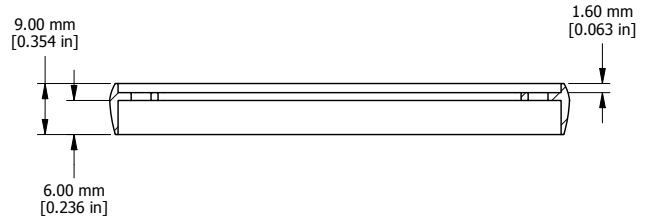
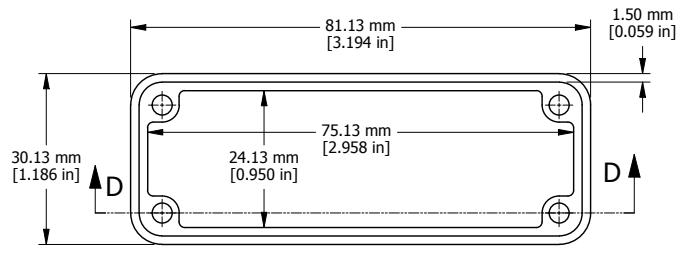
EXTRUSION DESIGNED FOR 75MM WIDE PC BOARD



EXPLODED ASSEMBLY VIEW



OPEN BEZEL



OPTIONAL FLANGE END PANELS
1455JF

Enclosures can be Factory Modified (Milling, Drilling, Printing etc.)
Solid models of this enclosure available in STEP or IGES.
Contact Factory mjm@hammondmfg.com

| NOTE | |
|----------------------------------------------------------------------------------------------------------------|--|
| Purchased assembly includes box, plastic bezels, end panels, #6 Taptight screws and self adhesive rubber feet. | |
| Box made from Extruded Aluminum 6063. | |
| Bezels made with polycarbonate. | |

| 1455J1601 | |
|------------------------------|-------------|
| PART NUMBERS | |
| Clear Anodized | 1455J1601 |
| Black Anodized | 1455J1601BK |
| Blue Anodized | 1455J1601BU |
| Red Anodized | 1455J1601RD |
| ACCESSORIES | |
| See website for accessories. | |

**HAMMOND
MANUFACTURING™**
1455J1601
www.hammondmfg.com