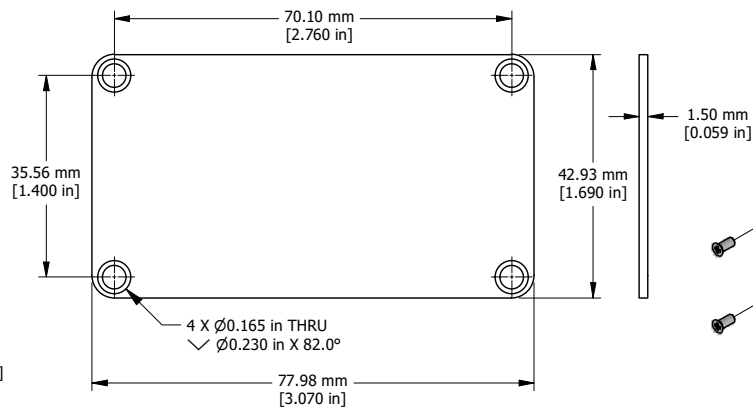
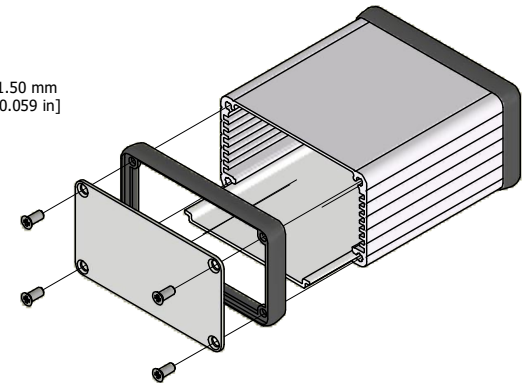


EXTRUSION

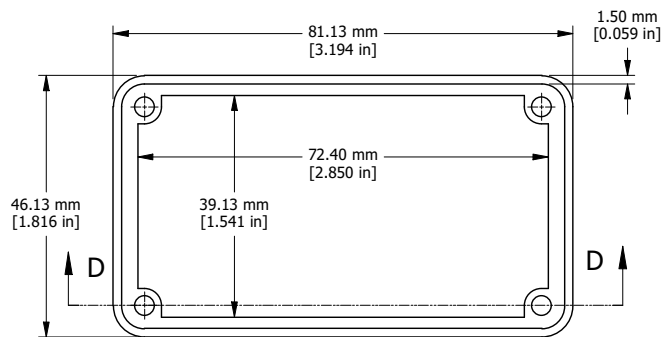
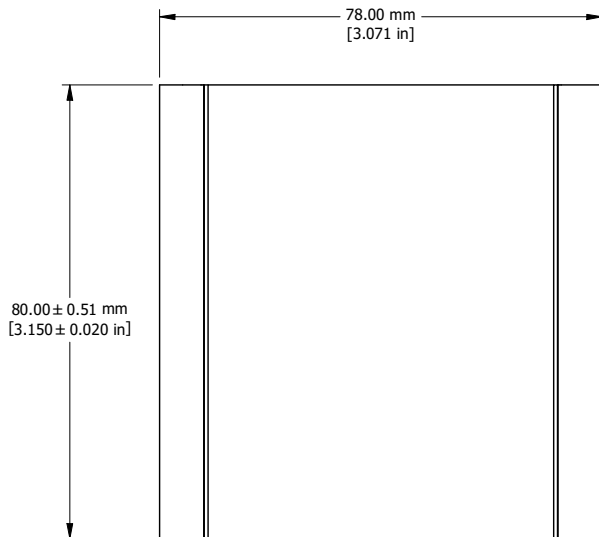


END PLATE

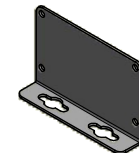
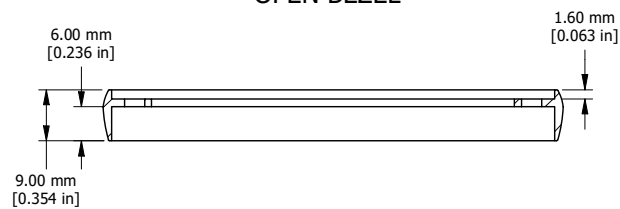


EXPLODED ASSEMBLY VIEW

EXTRUSION DESIGNED FOR 75MM WIDE PC BOARD



OPEN BEZEL



OPTIONAL FLANGE END PANELS  
1455KF

Enclosures can be Factory Modified ( Milling, Drilling, Printing etc. )  
Solid models of this enclosure available in STEP or IGES.  
Contact Factory [mjm@hammondmfg.com](mailto:mjm@hammondmfg.com)

NOTE	
Purchased assembly includes box, plastic bezels, end panels, #6 Taptight screws and self adhesive rubber feet.	
Box made from Extruded Aluminum 6063.	
Bezels made with polycarbonate.	
1455K801	
PART NUMBERS	
Clear Anodized	1455K801
Black Anodized	1455K801BK
Blue Anodized	1455K801BU
Red Anodized	1455K801RD
ACCESSORIES	
See website for accessories.	

**HAMMOND MANUFACTURING™**  
1455K801  
[www.hammondmfg.com](http://www.hammondmfg.com)