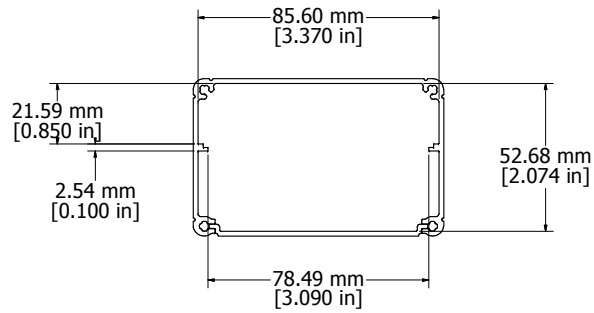
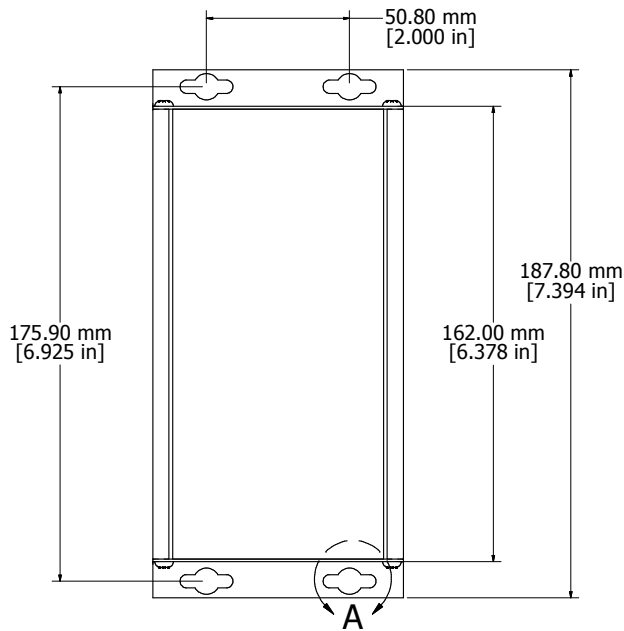
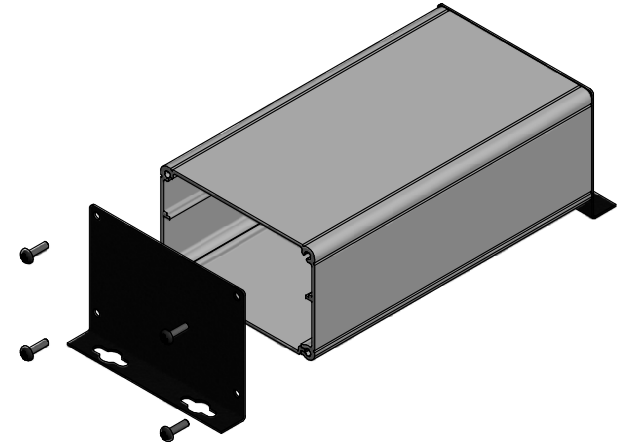
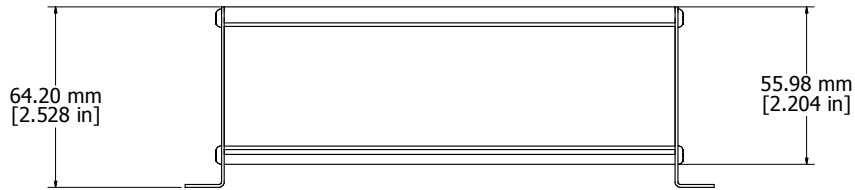
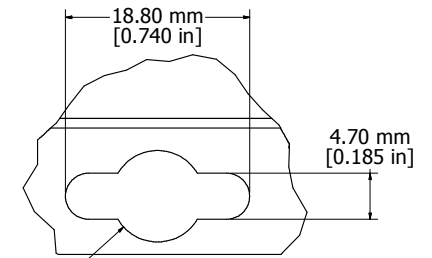


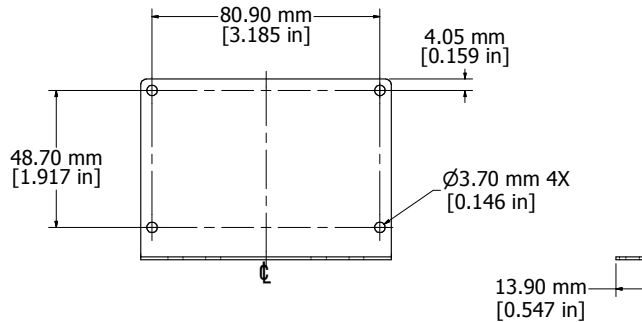
ASSEMBLY



EXTRUSION - INSIDE



DETAIL A  
Ø9.36 mm [0.368 in]



FLANGE

Enclosures can be Factory Modified ( Milling, Drilling, Printing etc. )  
Solid models of this enclosure available in STEP or IGES.  
Contact Factory [mjm@hammondmfg.com](mailto:mjm@hammondmfg.com)

**NOTE**  
Purchased assembly includes box, belly plate, flanges and cover screws. Box made from extruded aluminum 6063.

