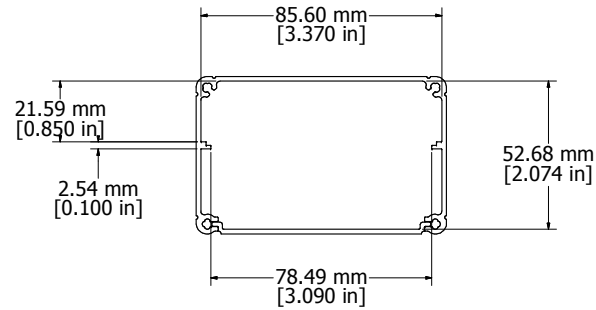
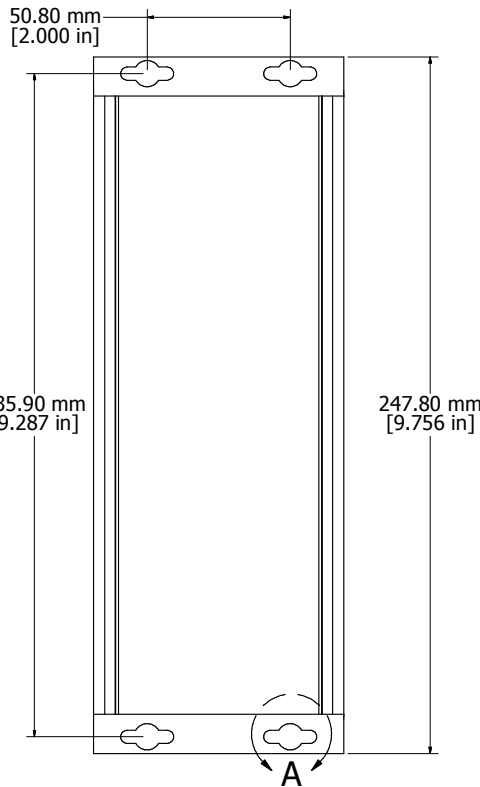
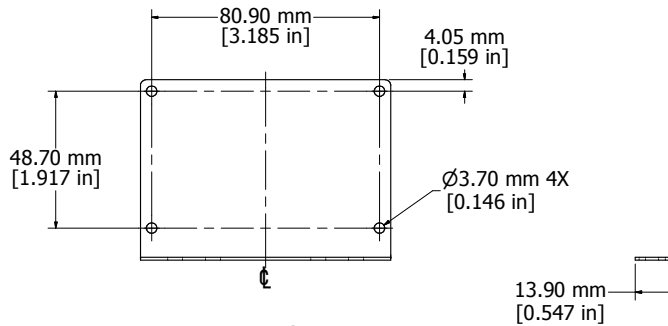


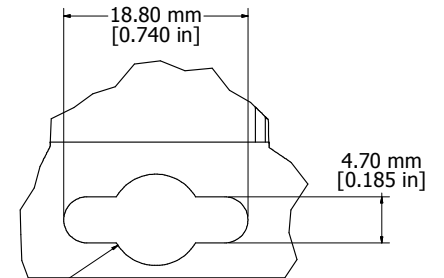
ASSEMBLY



EXTRUSION - INSIDE



FLANGE



Ø9.36 mm
[0.368 in]

DETAIL A

Enclosures can be Factory Modified (Milling, Drilling, Printing etc.)
Solid models of this enclosure available in STEP or IGES.
Contact Factory mjm@hammondmfg.com

NOTE
Purchased assembly includes box, belly plate, flanges and cover screws. Box made from extruded aluminum 6063.

