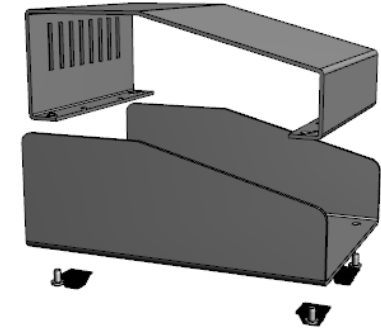


Dimensions:  
mm  
[inches]



Enclosures can be Factory Modified (Milling, Drilling, Printing etc.)  
Contact Factory [mjm@hammondmfg.com](mailto:mjm@hammondmfg.com) for quotes  
Solid models of this enclosure available in STEP or IGES.  
(Part number and text placement/orientation on our products are subject to change,  
we do not recommend using them as a locating reference for modification purposes)

**NOTE**

Purchased assembly includes case, cover, 4 cover screws, and 4 rubber feet.  
Case made from 12 Gauge aluminum (.081"), Top made from 14 Gauge aluminum (.064").

**Recommended screw torque 150-175 cN-m (13.3-15.5 lbf-in)**

1456	
1456FE1 Regular Enclosure	
Beige Top / Blue Case	1456FE1WHBU
Black Top / Blue Case	1456FE1BKBU
Black Top / Black Case	1456FE1BKBK
ACCESSORIES	
Natural Finish Cover Screws (Pkg 6) [6-32 x 1/4" Self-Tapping Screws]	1421J6
Black Cover Screws (Pkg 6) [6-32 x 1/4" Self-Tapping Screws]	1421J6BK
Rubber Feet [0.5 x 0.5" Self-adhesive] (Pkg 24)	1421T3

**HAMMOND  
MANUFACTURING**

**1456FE1**

[www.hammondmfg.com](http://www.hammondmfg.com)