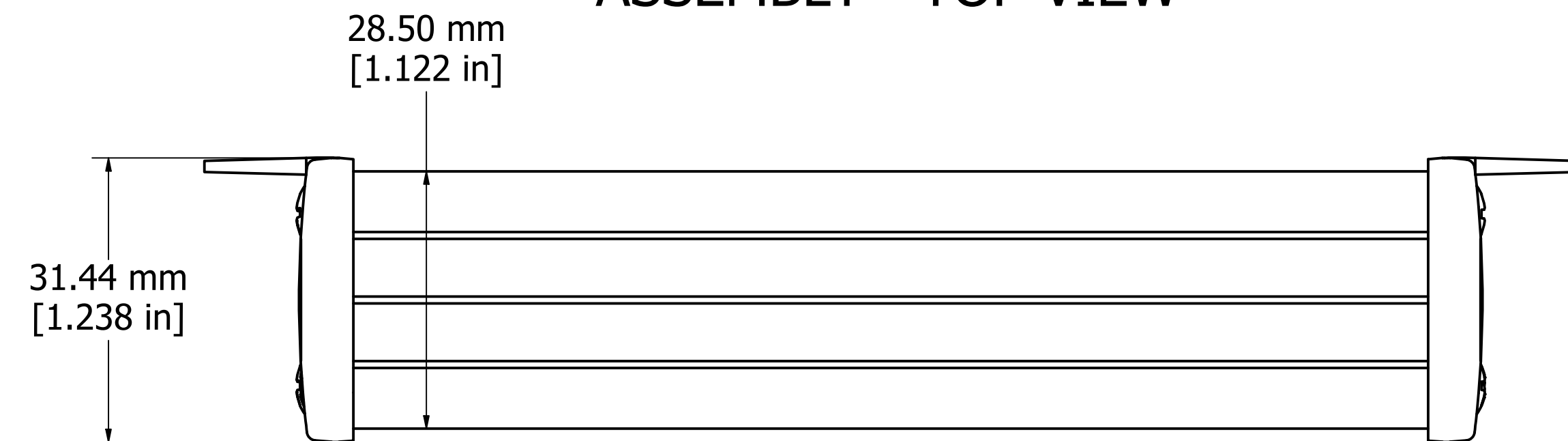
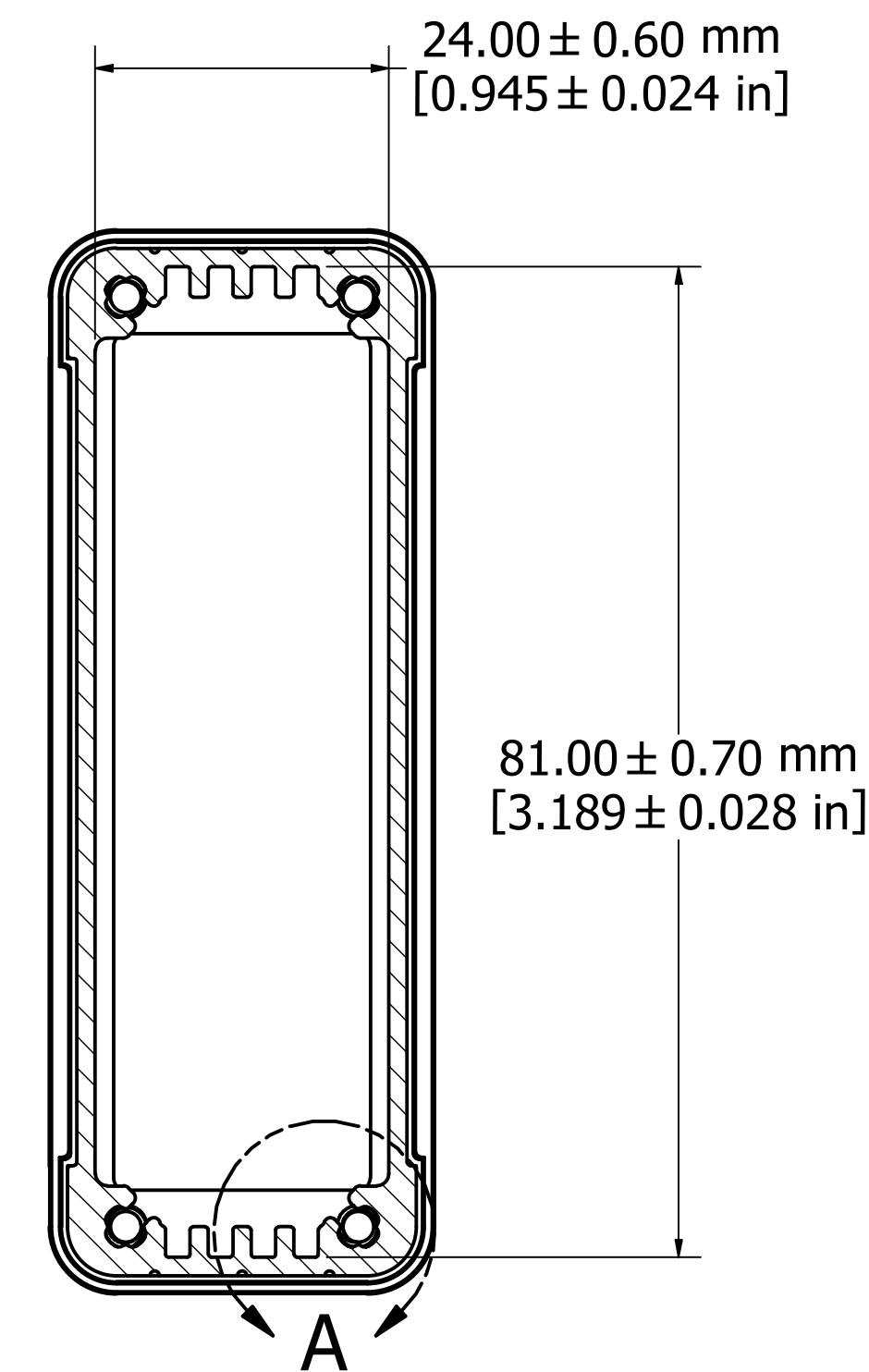


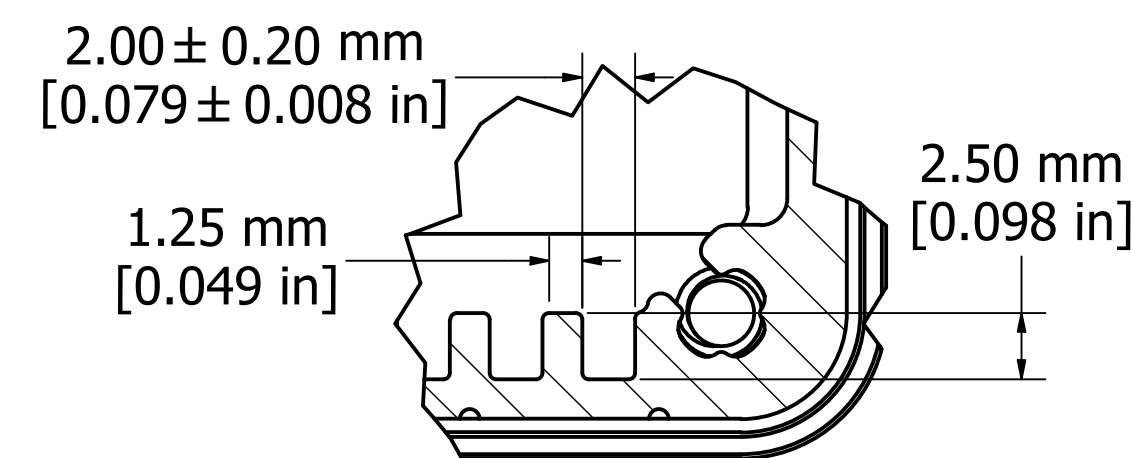
ASSEMBLY - TOP VIEW



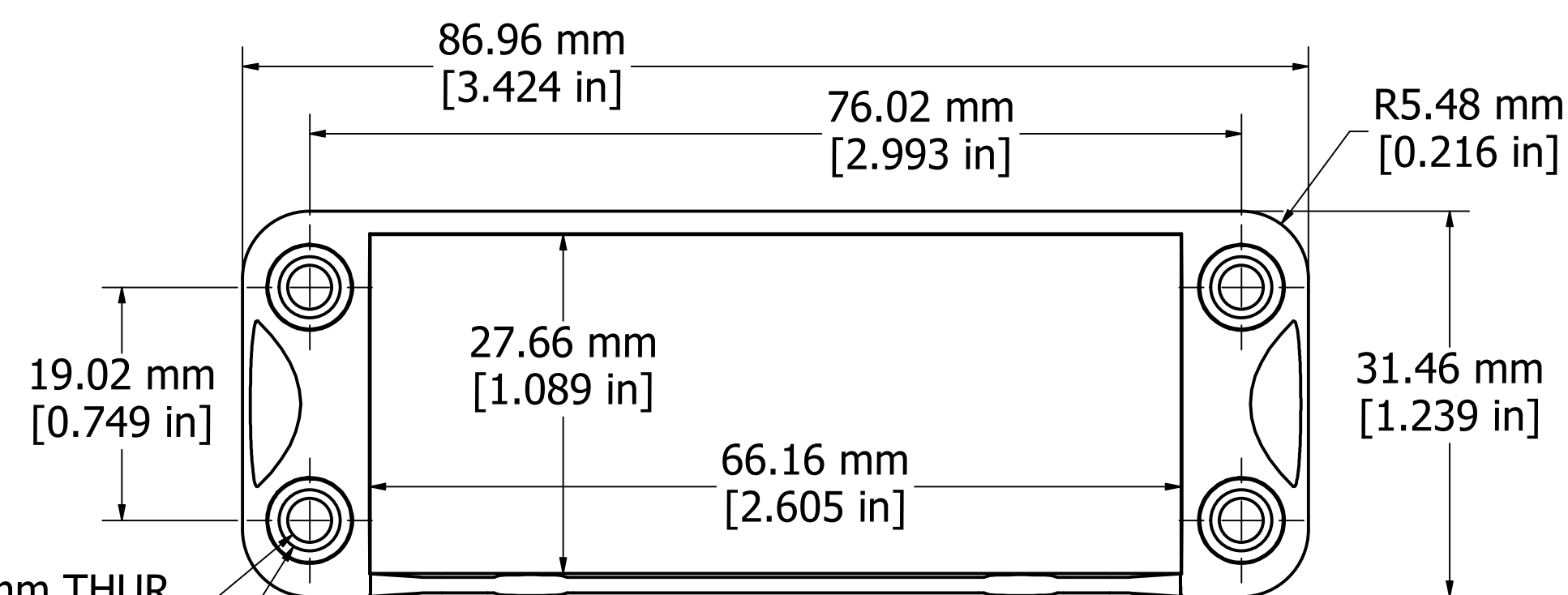
ASSEMBLY - SIDE VIEW



SECTION A-A

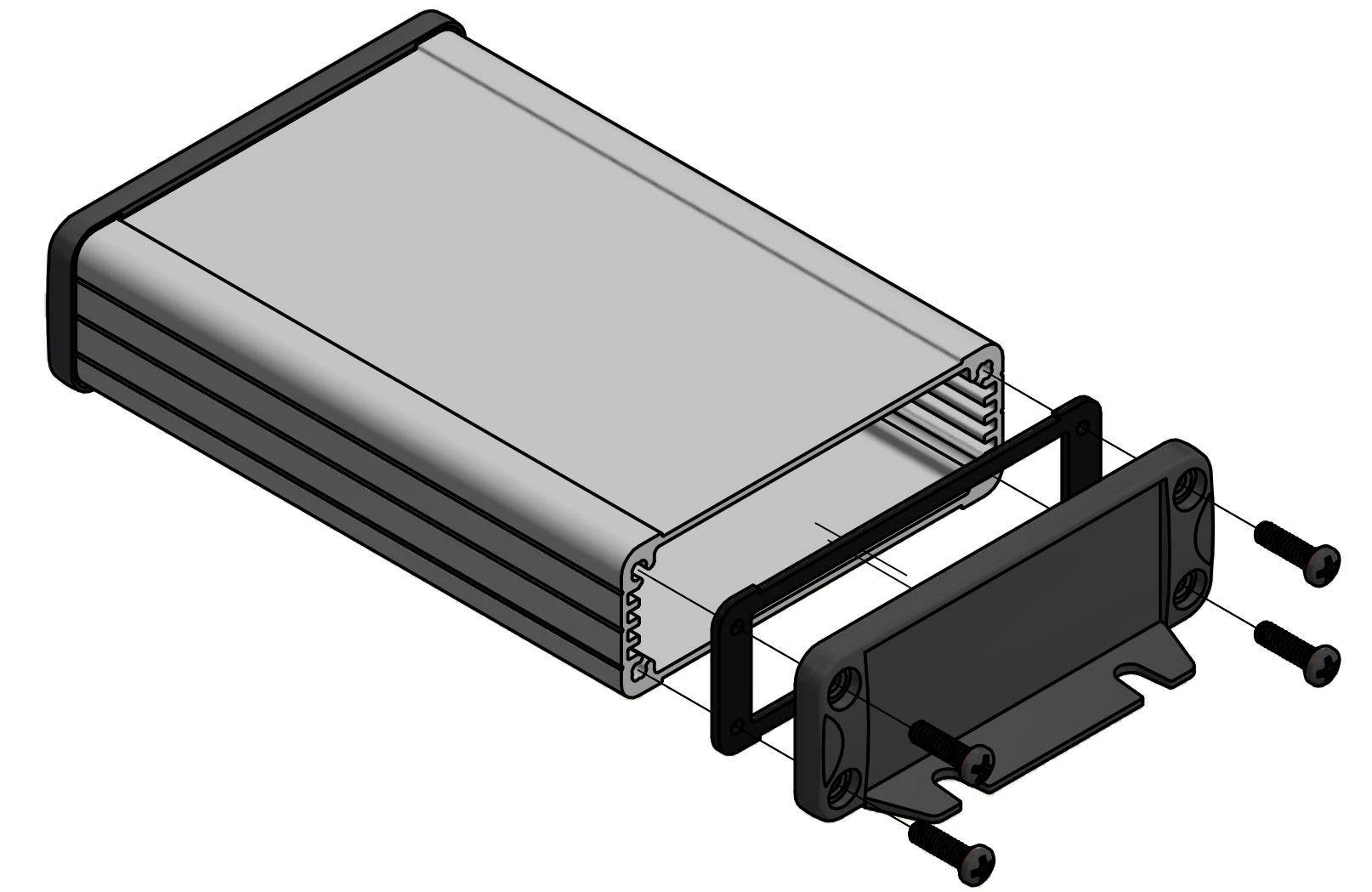


DETAIL A



END PANEL - VIEW FROM OUTSIDE

4 X Ø3.60 mm THUR
 □ Ø7.00 mm ▽ 2.50 mm
 4 X Ø5.00 mm ▽ 0.60 mm



PROTECTION TO IP 65

Enclosures can be Factory Modified (Milling, Drilling, Printing etc.)
 Contact Factory mjm@hammondmfg.com for quotes
 Solid models of this enclosure available in STEP or IGES.

NOTE	
Purchased assembly includes box, end panels, #6 Taptight screws w/ O-rings, self adhesive rubber feet, and gaskets	
Box made from Extruded Aluminum 6063.	
End panels made from ADC-12 Diecast Aluminum with a black powder paint finish.	
WATERPROOF 1457J1202	
PART NUMBERS	
Clear anodized box with black powder painted end panels	1457J1202
Black powder painted box and end panels	1457J1202BK
EMI/RFI SHIELDED (IP 54)	
Clear anodized box with black powder painted end panels	1457J1202E
Black powder painted box and end panels	1457J1202EBK
ACCESSORIES	
See website for accessories.	



1457J1202
www.hammondmfg.com

Fits 160mm (6.299") X 80mm (3.149") PCB