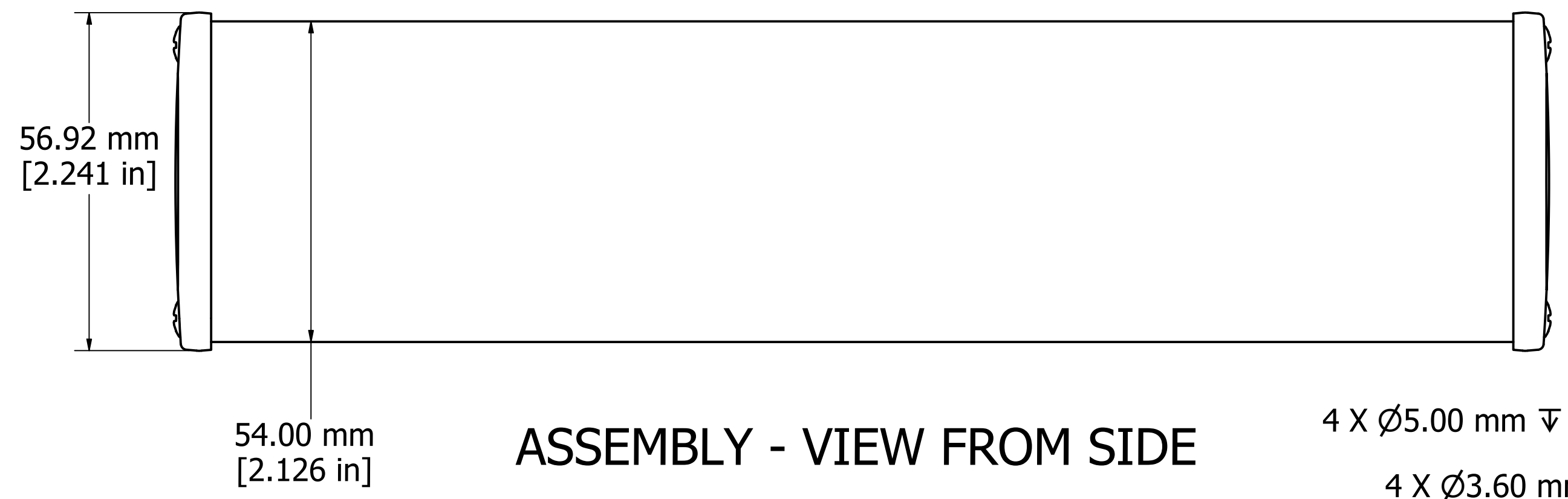
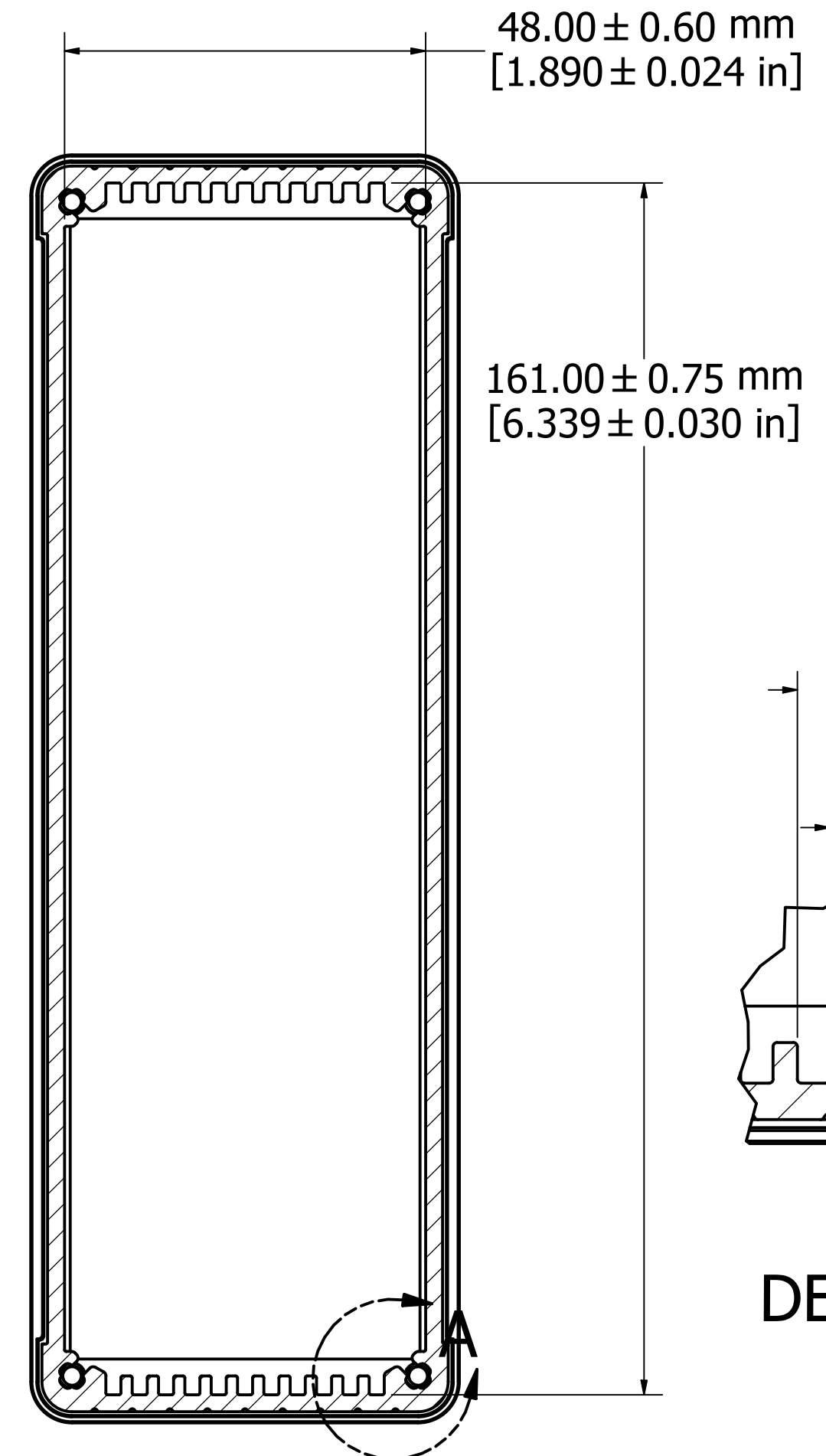


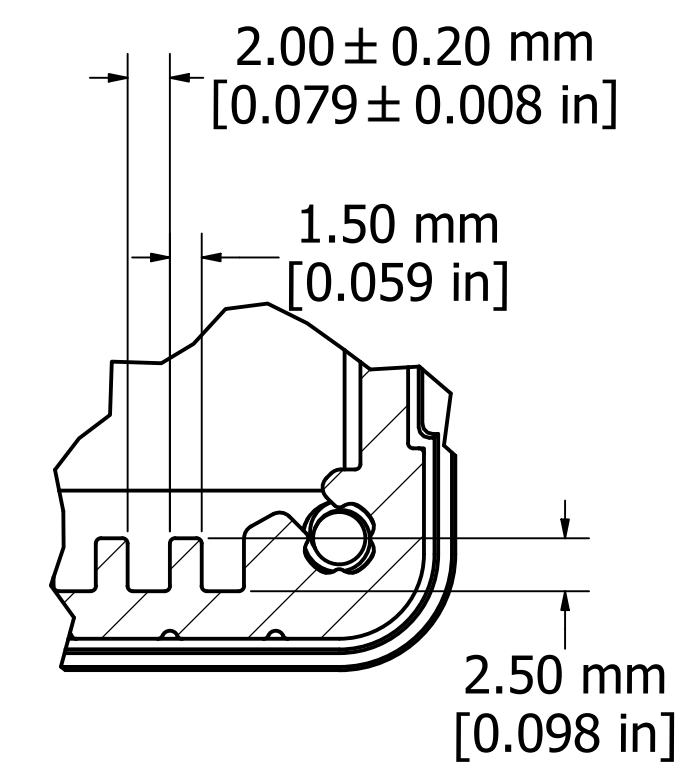
ASSEMBLY - VIEW FROM TOP



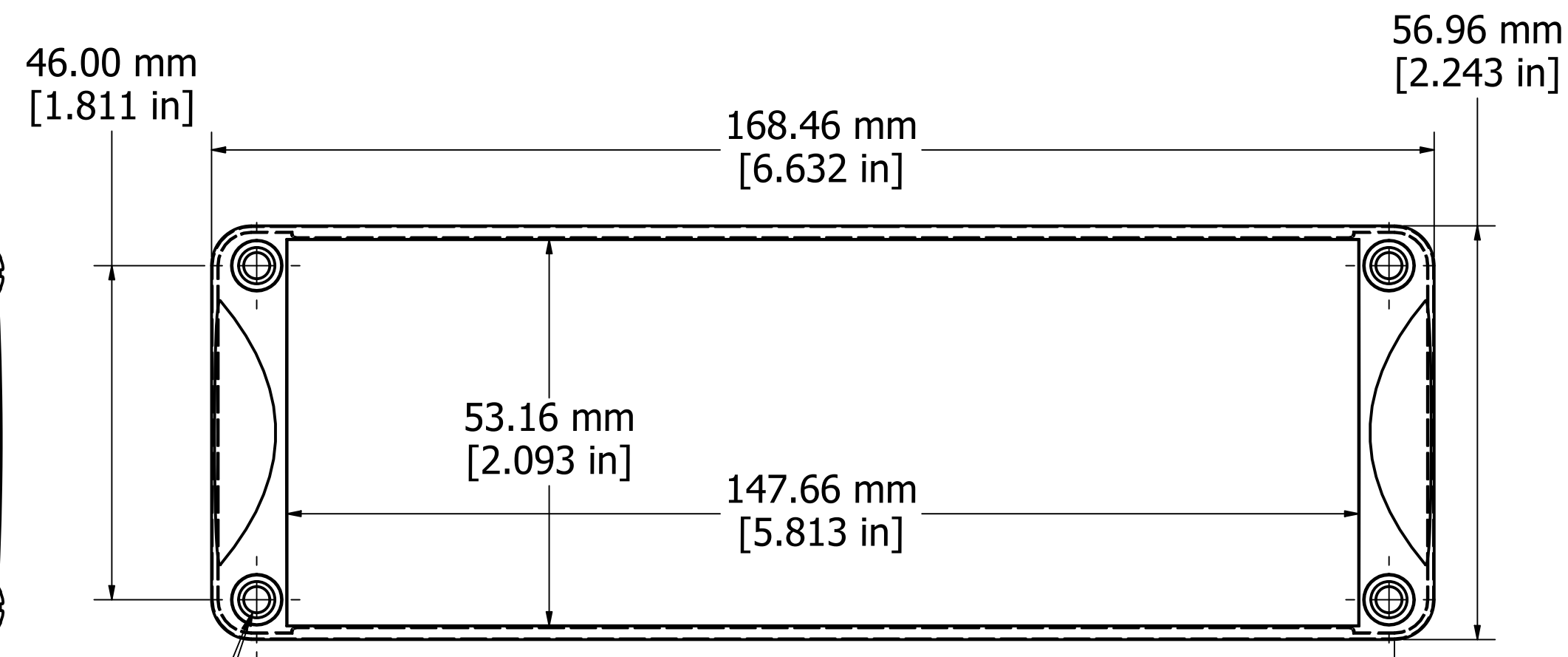
ASSEMBLY - VIEW FROM SIDE



SECTION A-A

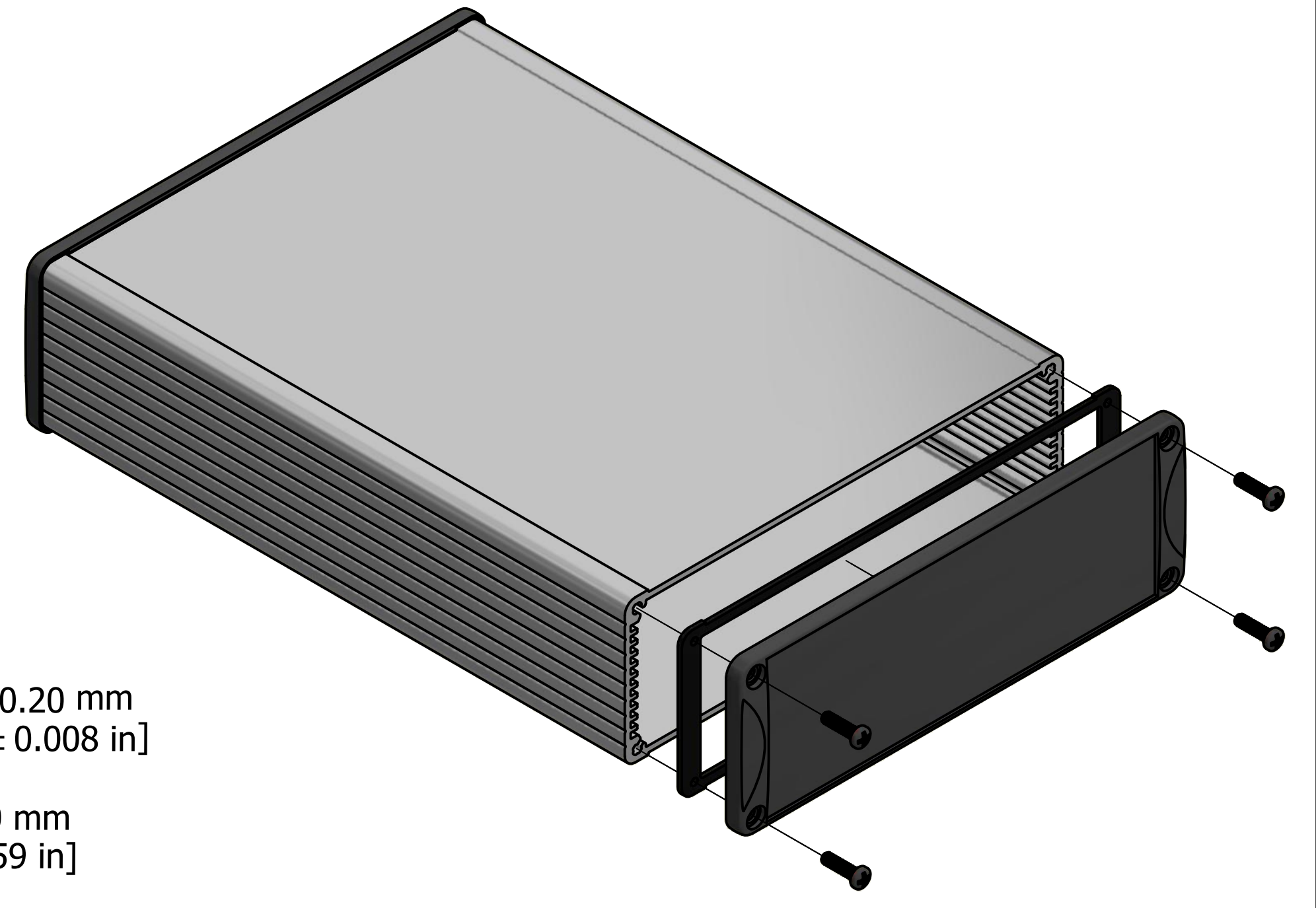


DETAIL A



END PANEL - VIEW FROM OUTSIDE

4 X Ø5.00 mm  $\nabla$  0.60 mm  
 4 X Ø3.60 mm THUR  
 □ Ø7.00 mm  $\nabla$  2.50 mm



**PROTECTION TO IP 65**

Enclosures can be Factory Modified ( Milling, Drilling, Printing etc. )  
 Contact Factory [mjm@hammondmfg.com](mailto:mjm@hammondmfg.com) for quotes  
 Solid models of this enclosure available in STEP or IGES.

NOTE	
Purchased assembly includes box, end panels, #6 Taptight screws w/ O-Rings, self adhesive rubber feet, and gaskets	
Box made from Extruded Aluminum 6063.	
End panels made from Type 380 Diecast Aluminum with a black powder paint finish.	
WATERPROOF 1457T2201	
PART NUMBERS	
Clear anodized box with black powder painted end panels	1457T2201
Black powder painted box and end panels	1457T2201BK
EMI/RFI SHIELDED (IP 54)	
Clear anodized box with black powder painted end panels	1457T2201E
Black powder painted box and end panels	1457T2201EBK
ACCESSORIES	
See website for accessories.	

Fits 220mm (8.661") X 160mm (6.299") PCB

**HAMMOND MANUFACTURING™**  
**1457T2201**  
[www.hammondmfg.com](http://www.hammondmfg.com)