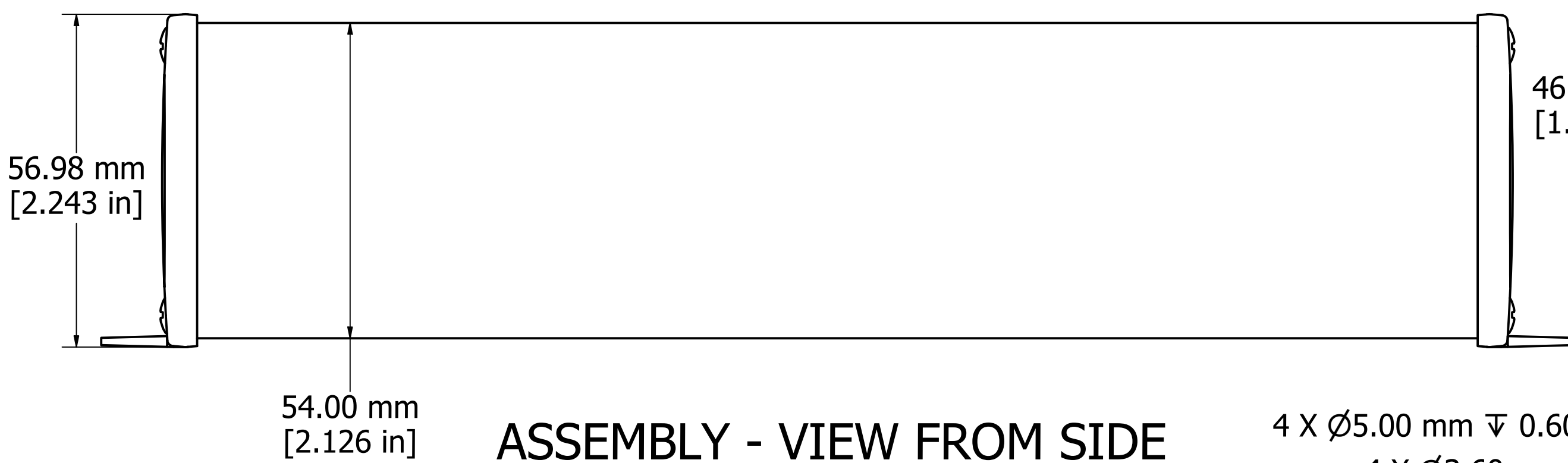
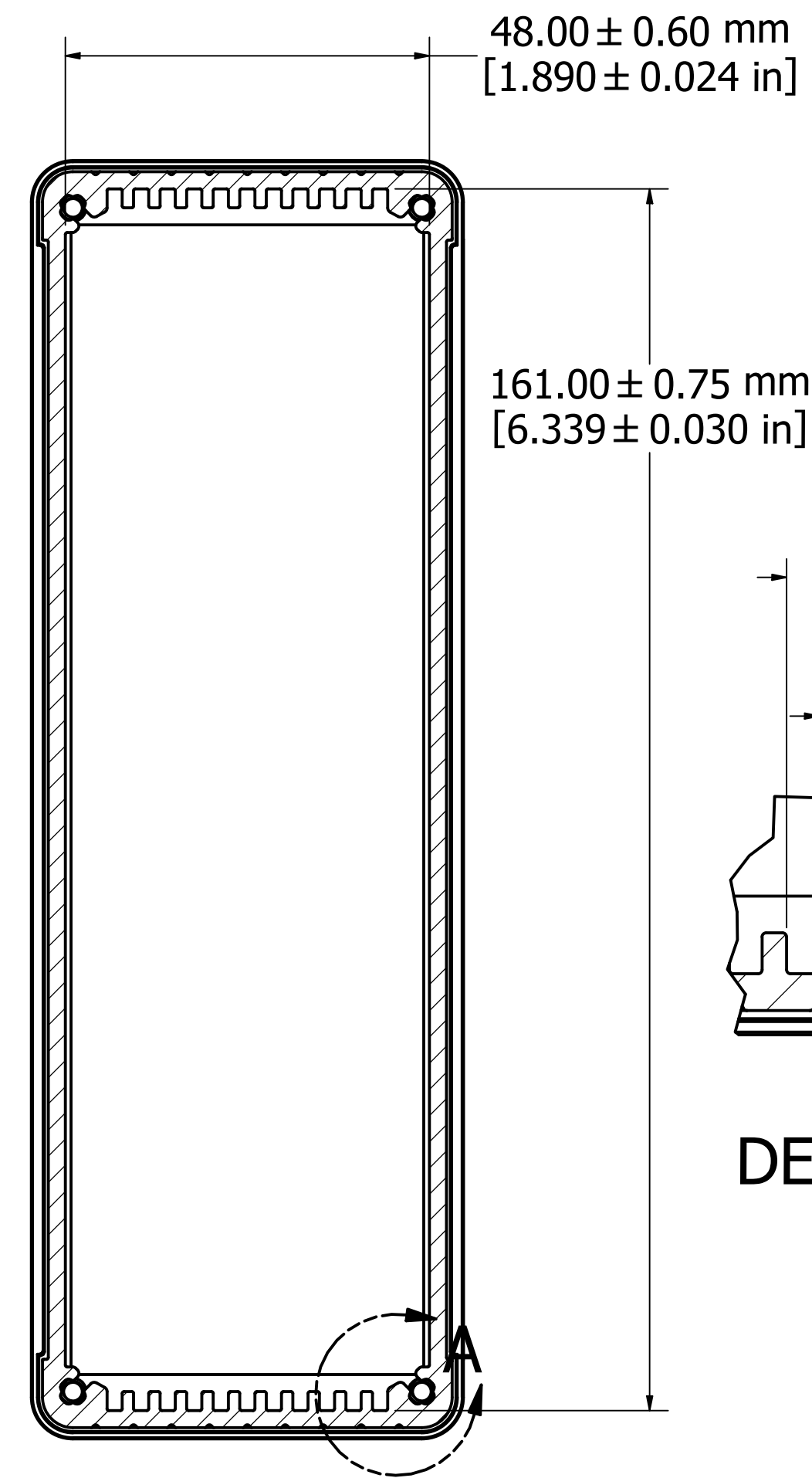


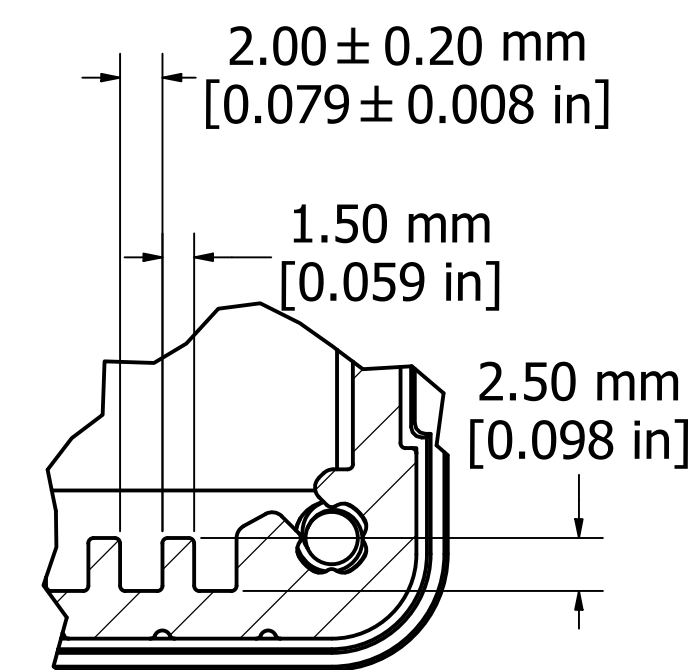
ASSEMBLY - VIEW FROM TOP



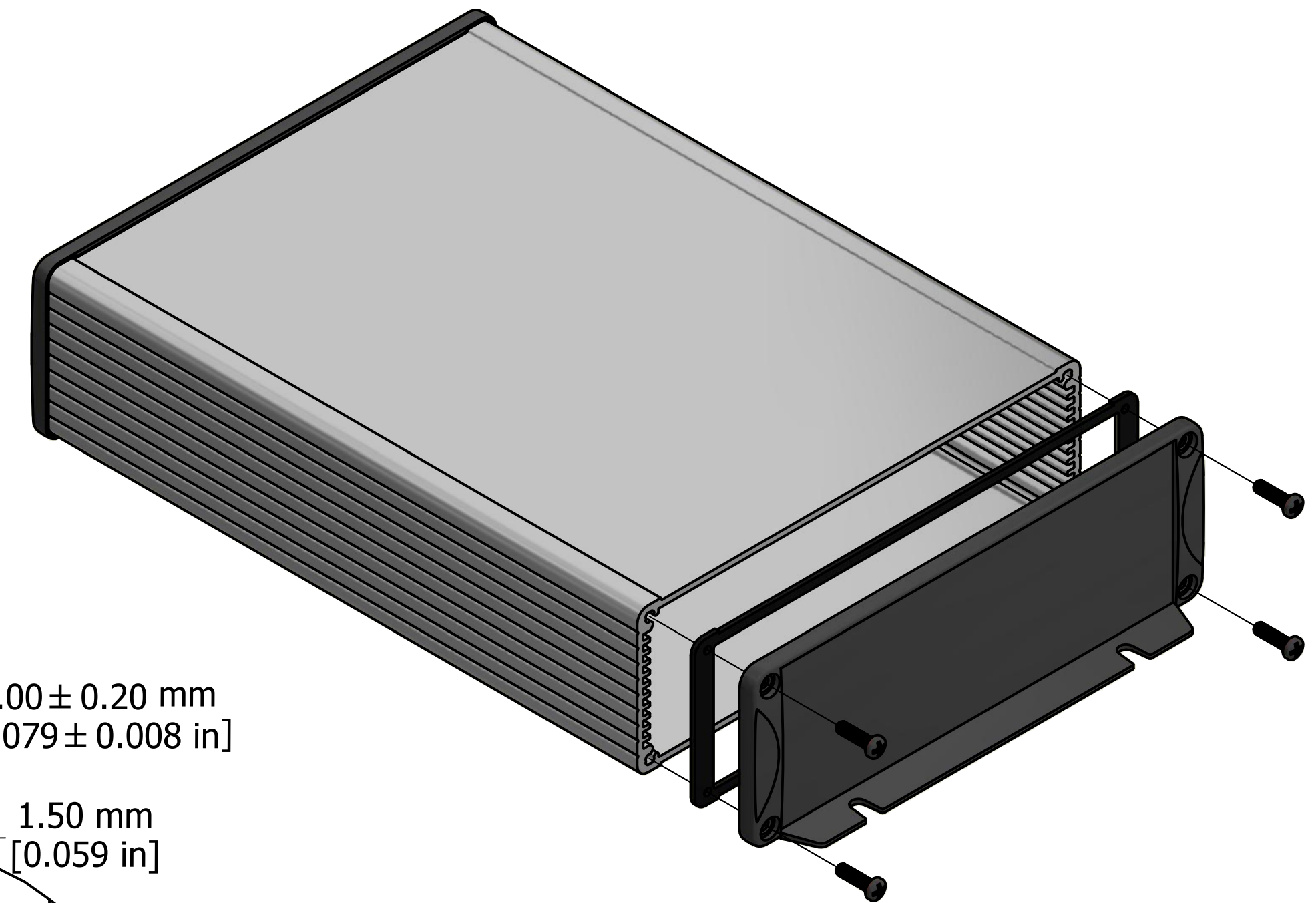
ASSEMBLY - VIEW FROM SIDE



SECTION A-A



DETAIL A



PROTECTION TO IP 65

Enclosures can be Factory Modified (Milling, Drilling, Printing etc.)
 Contact Factory mjm@hammondmfg.com for quotes
 Solid models of this enclosure available in STEP or IGES.

NOTE

Purchased assembly includes box, end panels, #6 Taptight screws w/ O-Rings, self adhesive rubber feet, and gaskets
 Box made from Extruded Aluminum 6063.
 End panels made from Type 380 Diecast Aluminum with a black powder paint finish.

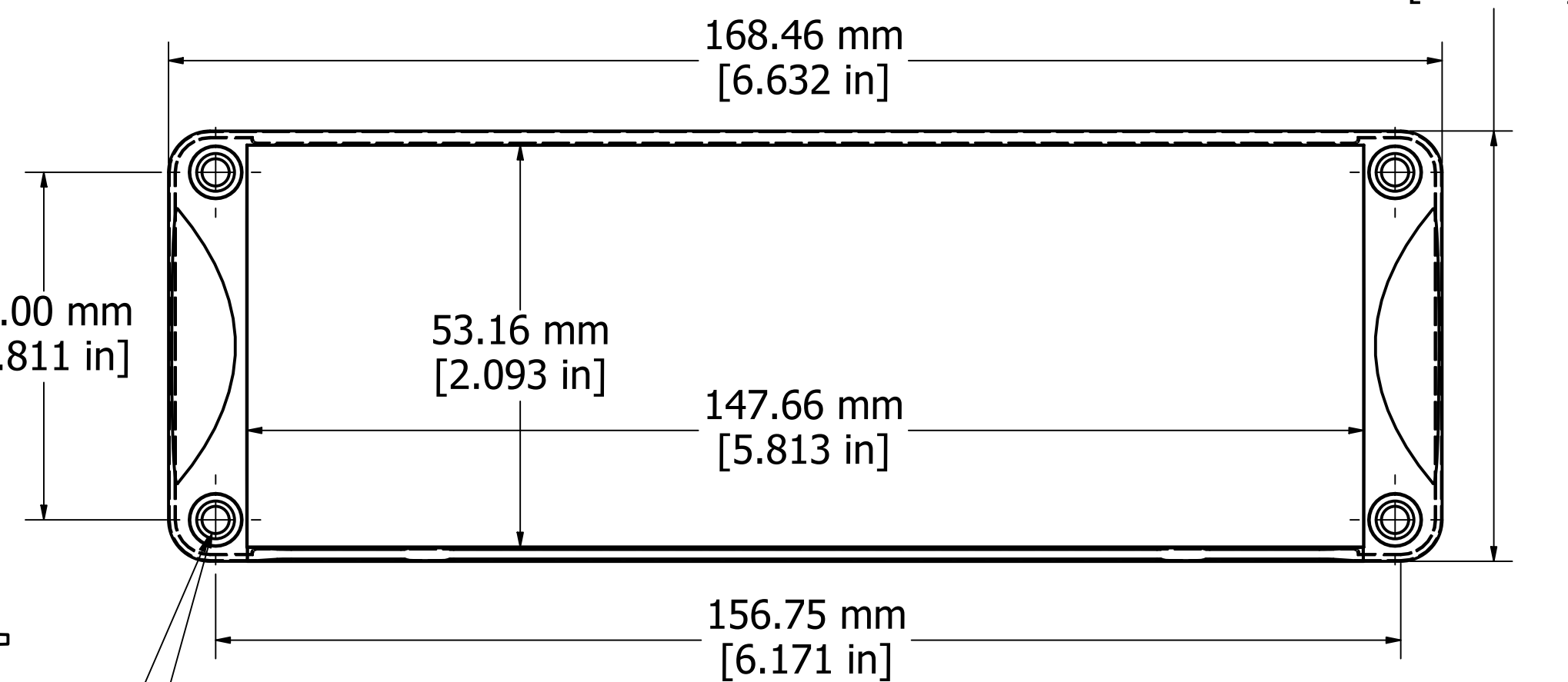
WATERPROOF 1457T2202

PART NUMBERS

Clear anodized box with black powder painted end panels	1457T2202
Black powder painted box and end panels	1457T2202BK
EMI/RFI SHIELDED (IP 54)	
Clear anodized box with black powder painted end panels	1457T2202E
Black powder painted box and end panels	1457T2202EBK

ACCESSORIES

See website for accessories.



END PANEL - VIEW FROM OUTSIDE

4 X Ø5.00 mm ∇ 0.60 mm
 4 X Ø3.60 mm THUR
 L ∇ Ø7.00 mm ∇ 2.50 mm

Fits 220mm (8.661") X 160mm (6.299") PCB

