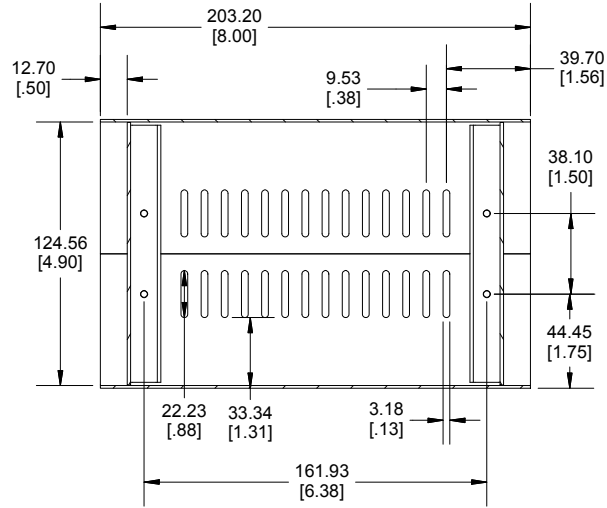
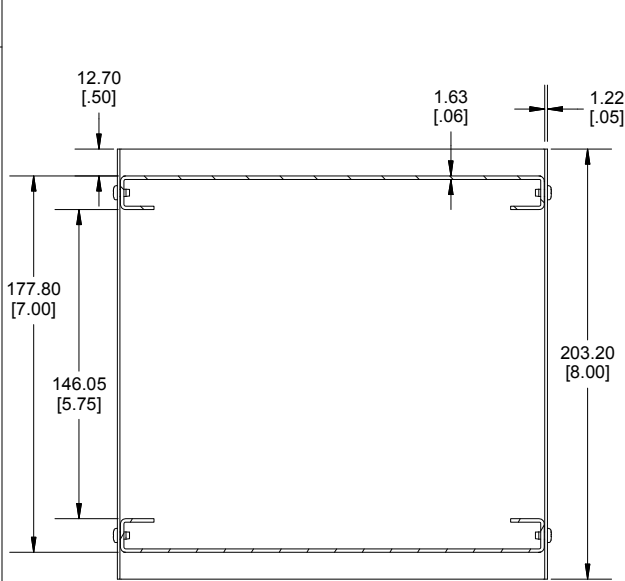
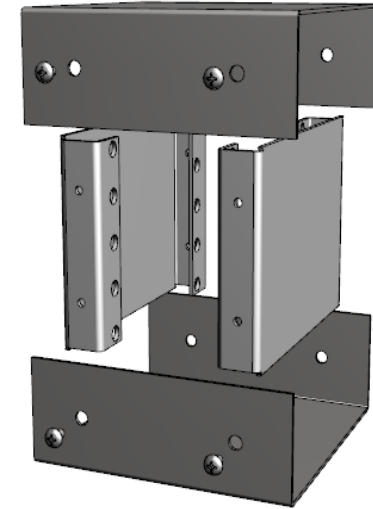


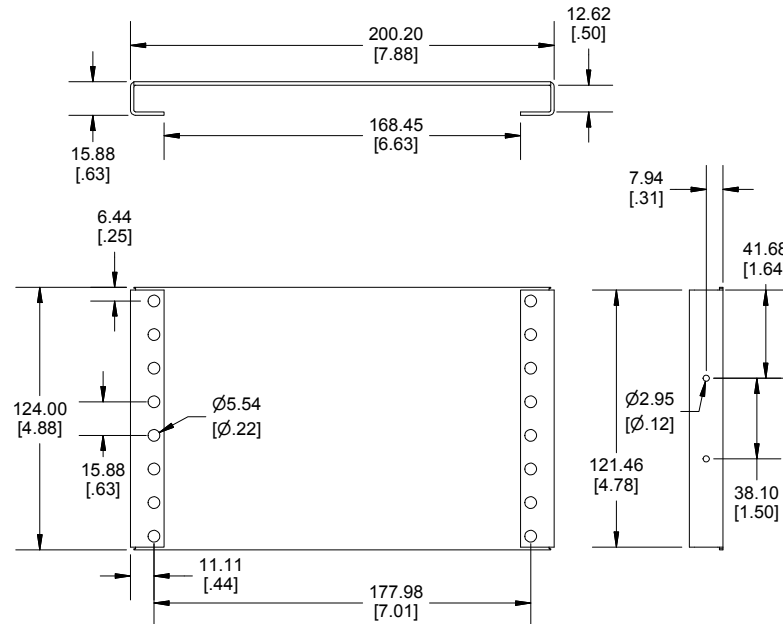
END VIEW



**SECTION A-A
SIDE VIEW**



**SECTION B-B
TOP VIEW**



END PLATE

Enclosures can be Factory Modified (Milling, Drilling, Printing etc.)
 Contact Factory (modshop@hammondmfg.com) for quotes
 Solid models of this enclosure available in .stp or .x_t
 (Part number and text placement/orientation on our products are subject to change,
 we do not recommend using them as a locating reference for modification purposes)

| NOTE | |
|--|--|
| Purchased assembly includes Top, Bottom, Black End Plate, Grey End Plate, 8 Enclosure screws, and 4 Rubber feet. | |
| Recommended Cover screw torque 125-150 cN-m (11-13.3 lbf-in) | |

| 1458 | |
|---|----------|
| 1458 Regular Enclosure | |
| Top / Bottom powder coated Gulf Blue RAL 5021 | 1458VD5B |
| Top / Bottom powder coated Black RAL 9011 | 1458VD5 |
| ACCESSORIES | |
| Nickel plated Enclosure screws [#6-32 x 1/4"] Self-Tapping (Pkg 8) | 1421J8 |
| Rubber Feet (Pkg 24) | 1421T3 |

Dimensions:
mm
[inches]

**HAMMOND
MANUFACTURING**

1458VD5

www.hammondmfg.com