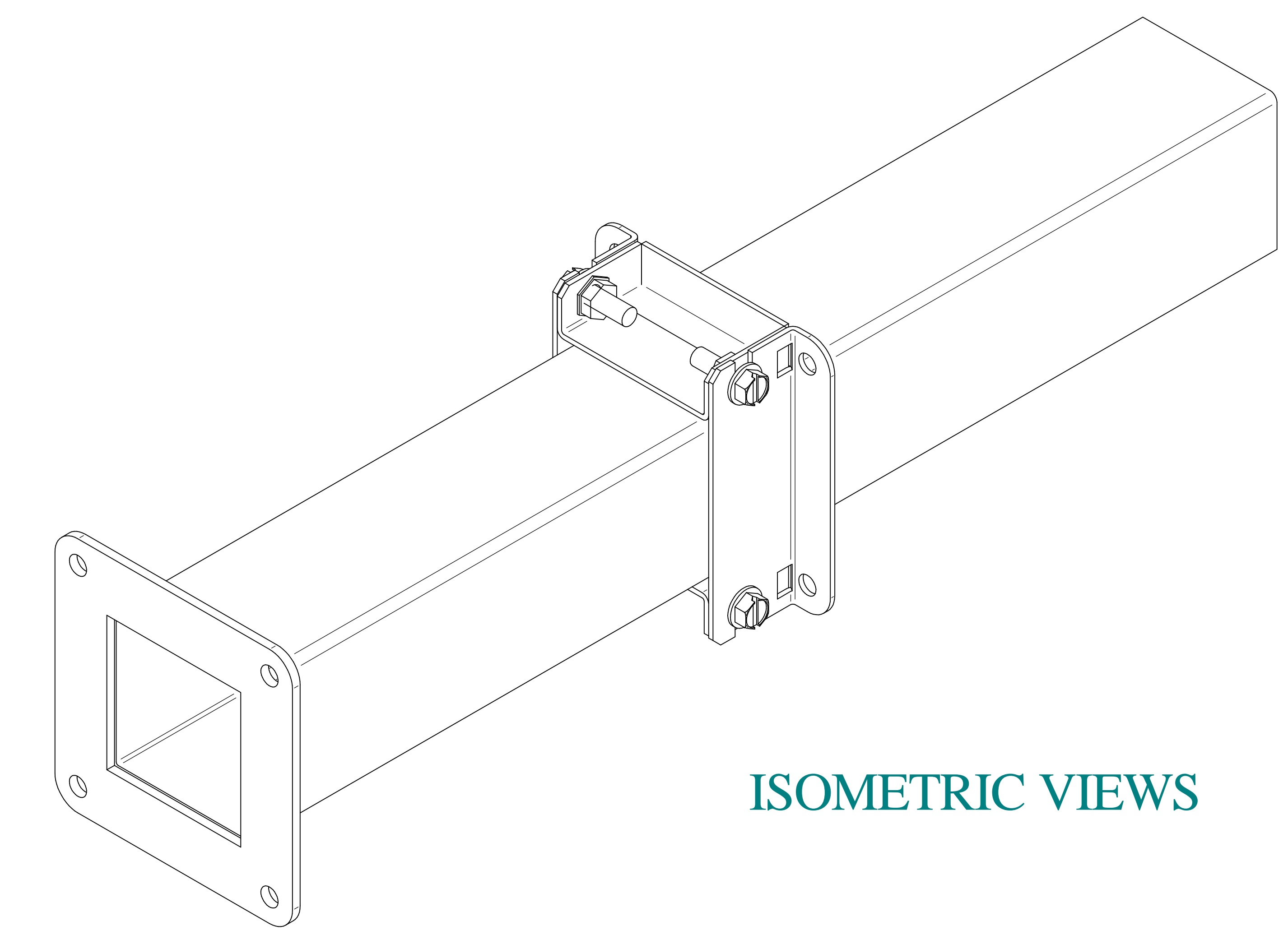


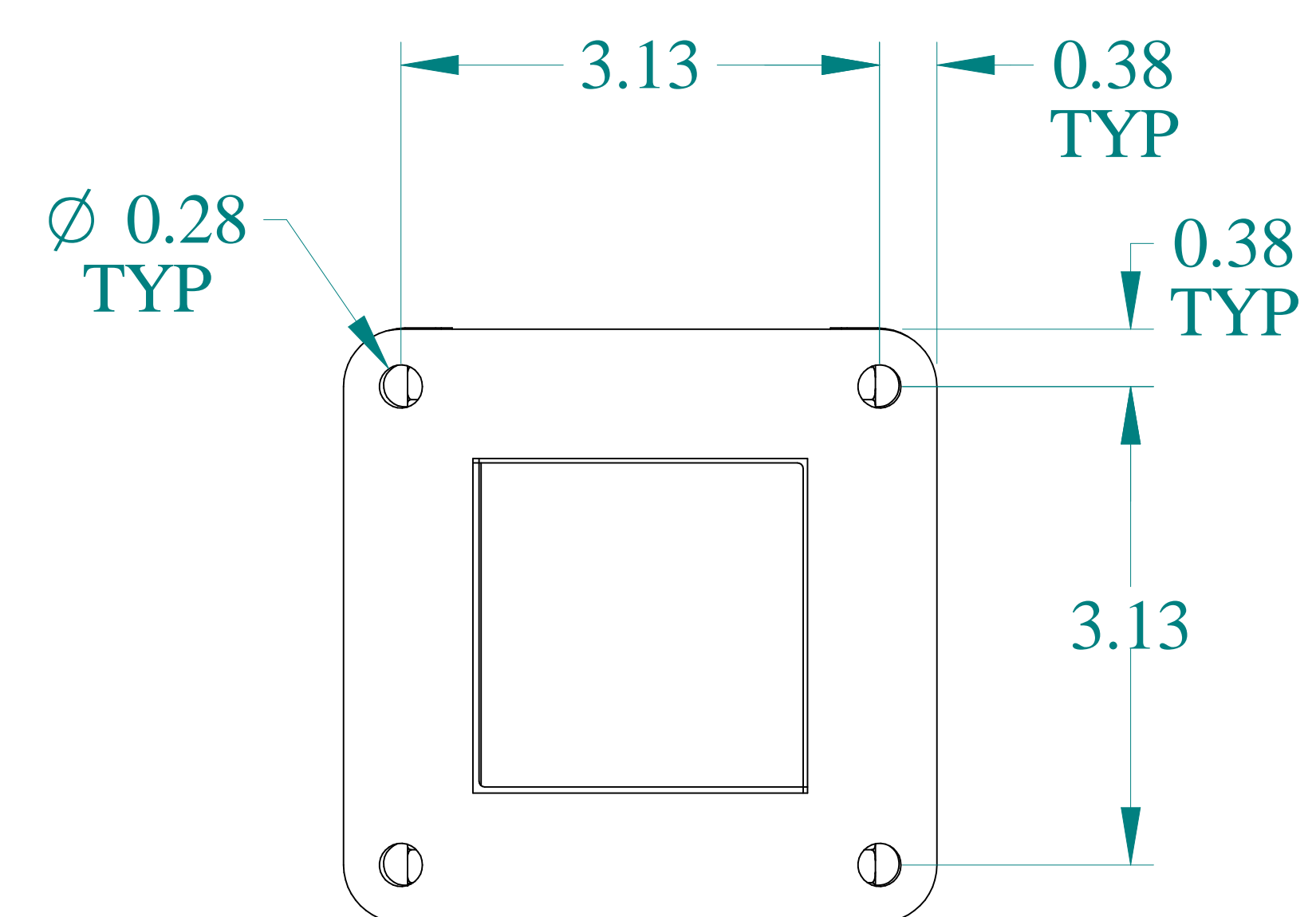
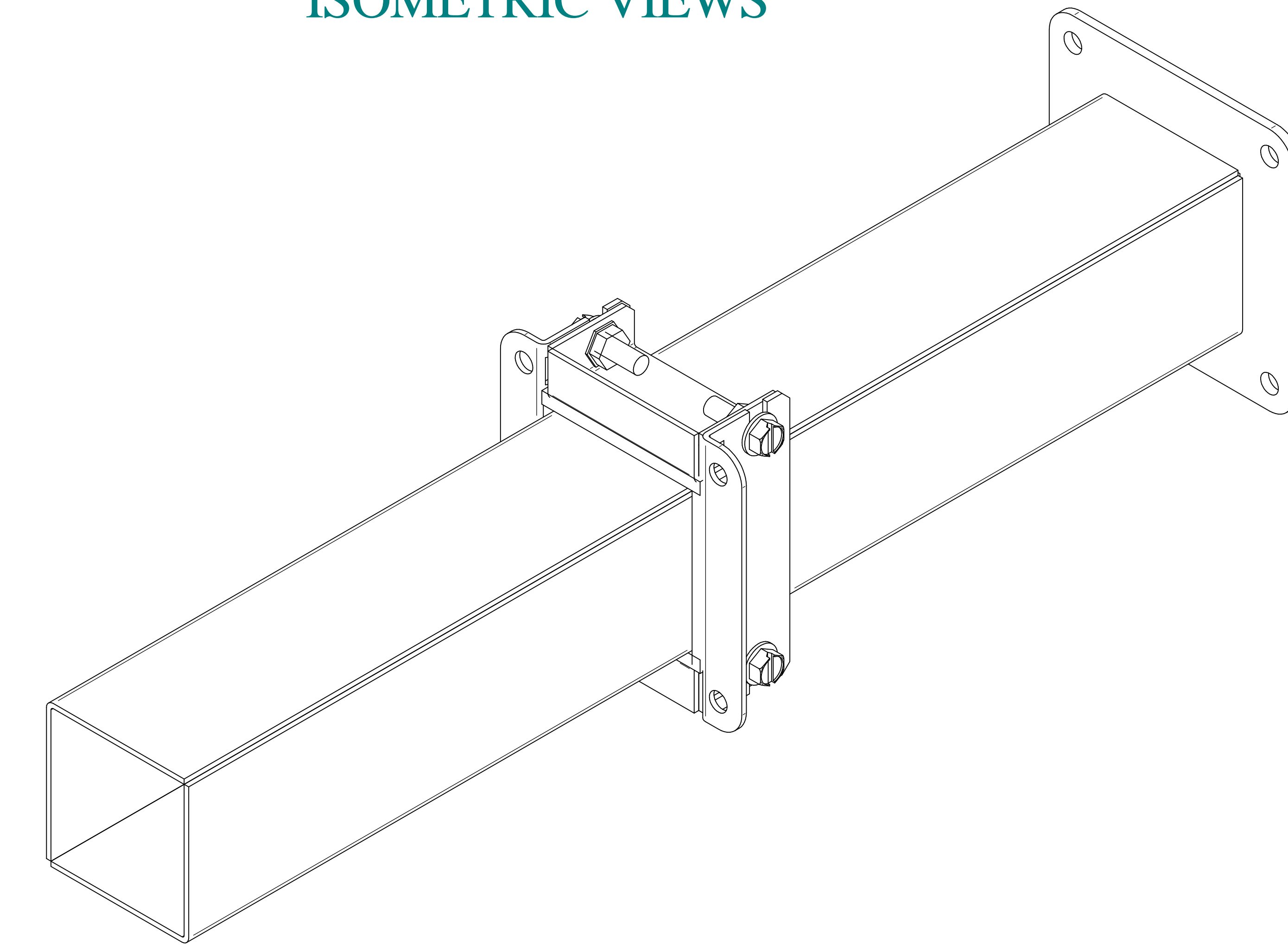
SOLID FLANGE
GASKET &
COMPRESSION
RING

ADJUSTABLE
FITTING

TOP VIEW

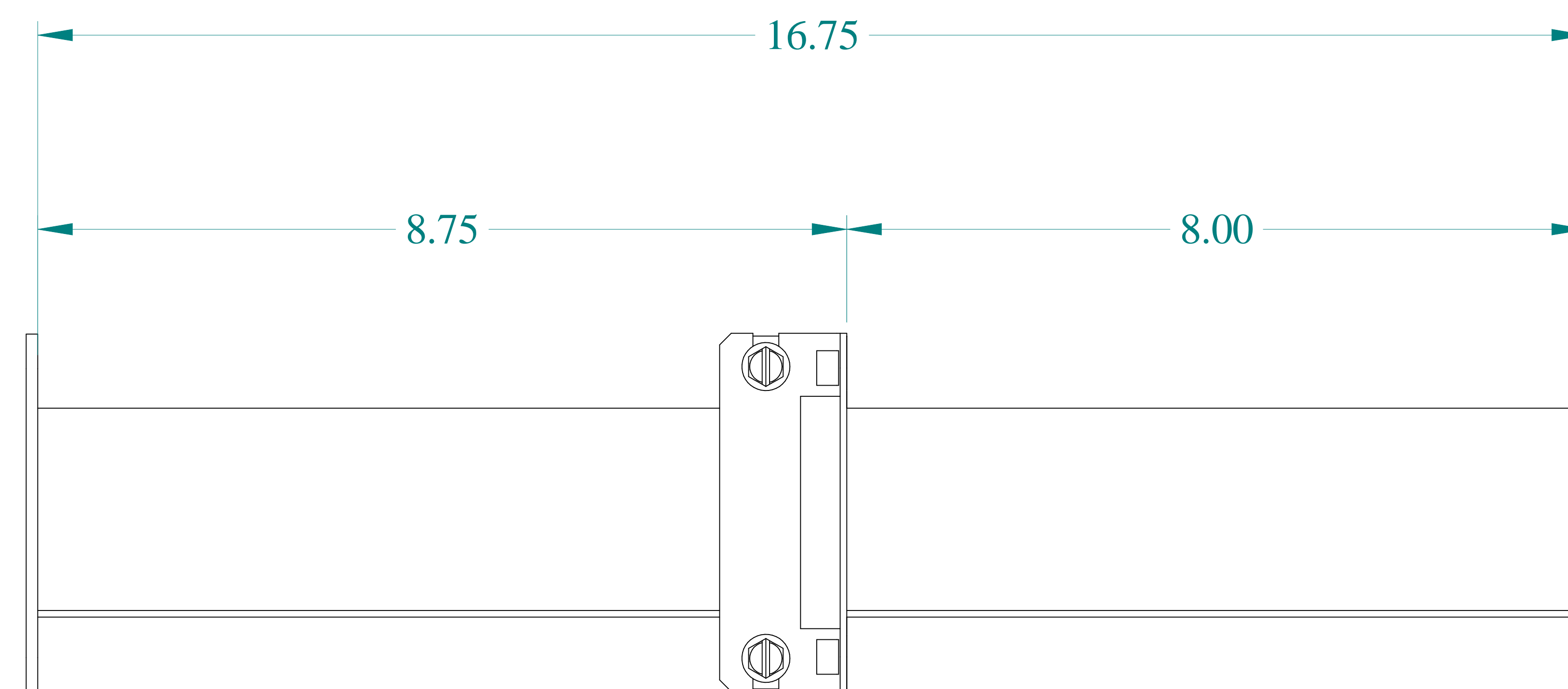


ISOMETRIC VIEWS

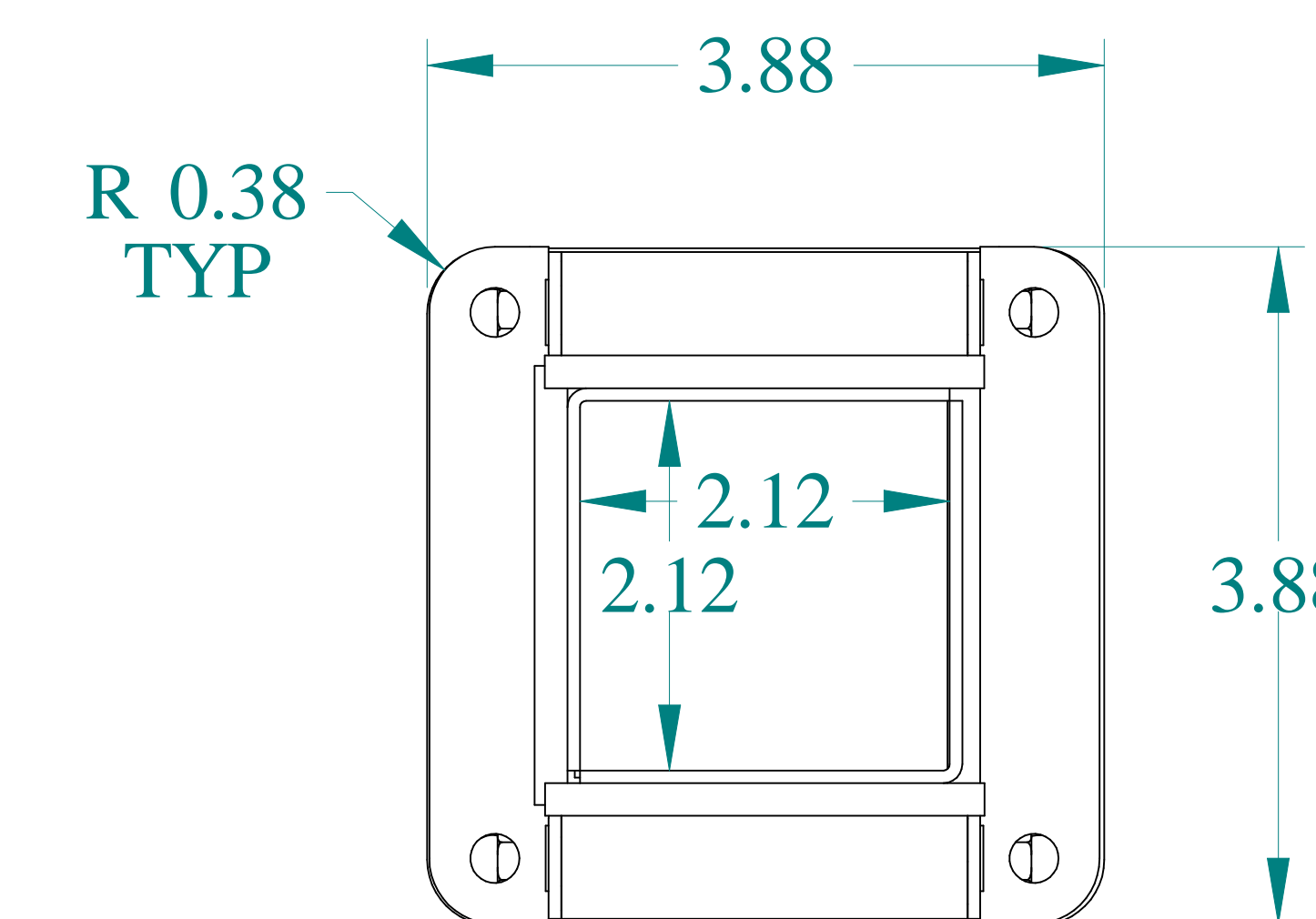


Ø 0.28
TYP

SIDE VIEW

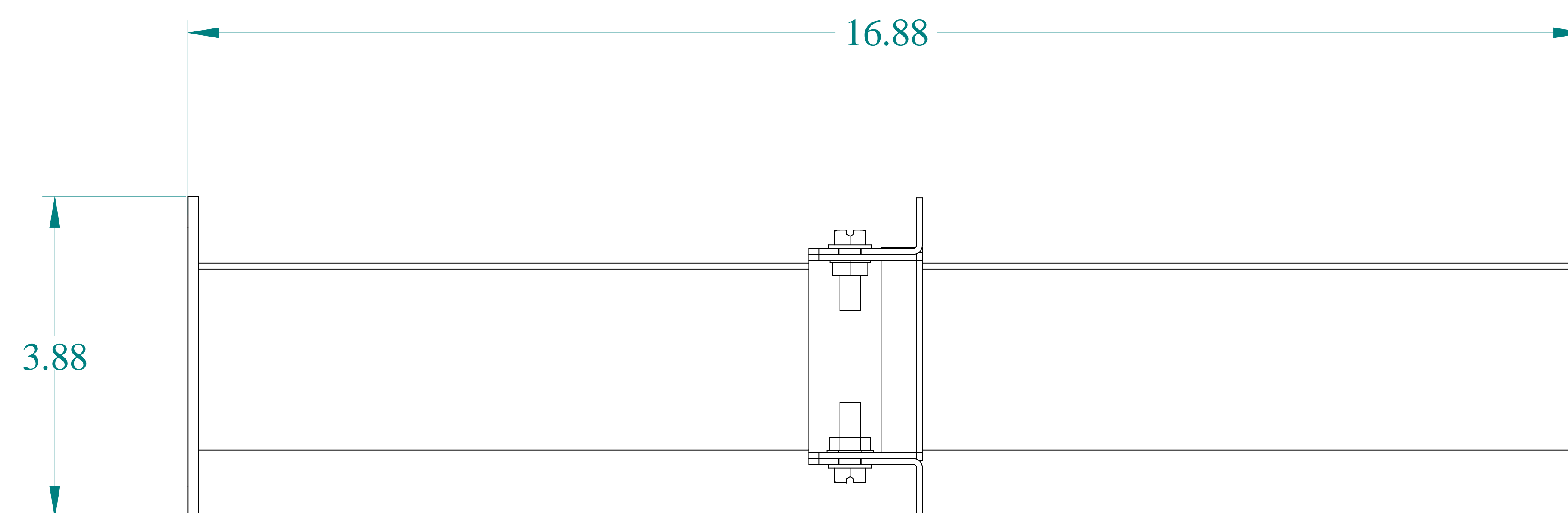


FRONT VIEW



R 0.38
TYP

SIDE VIEW



BOTTOM VIEW

**HAMMOND
MANUFACTURING**[®]

www.hammondmfg.com

Data subject to change without notice.

Part # : 1487BX

Date : Mar. 13, 2023

[Link:www.hammg.com/1487BX](http://www.hammg.com/1487BX)