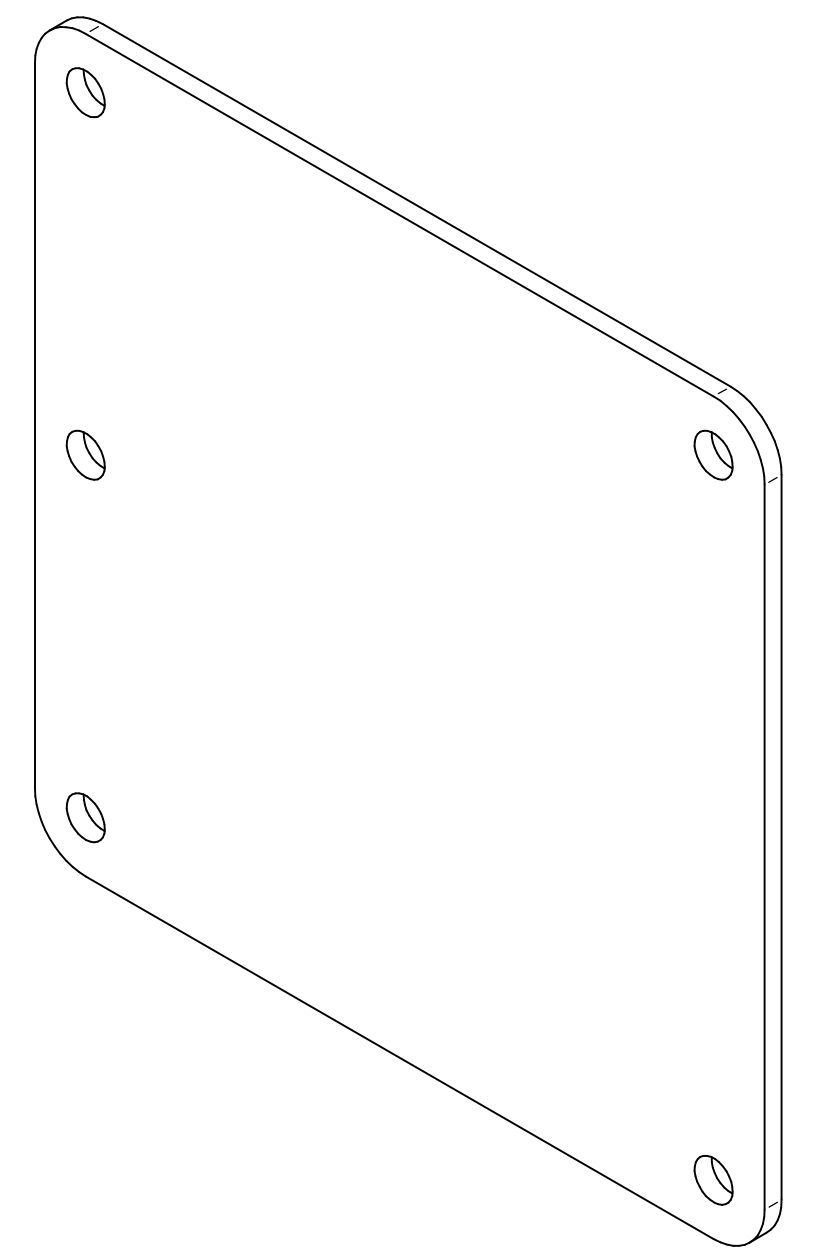


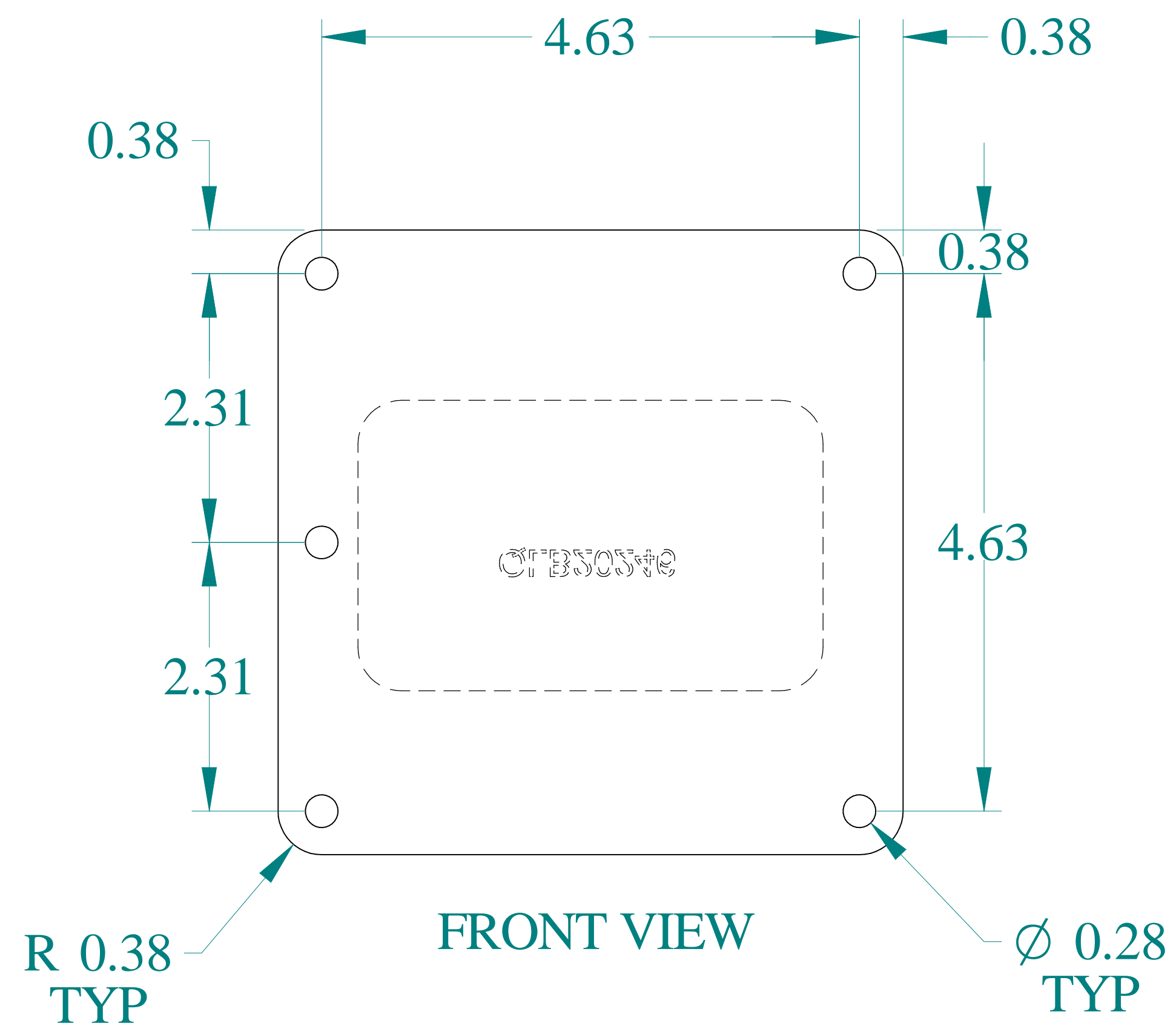
TOP VIEW



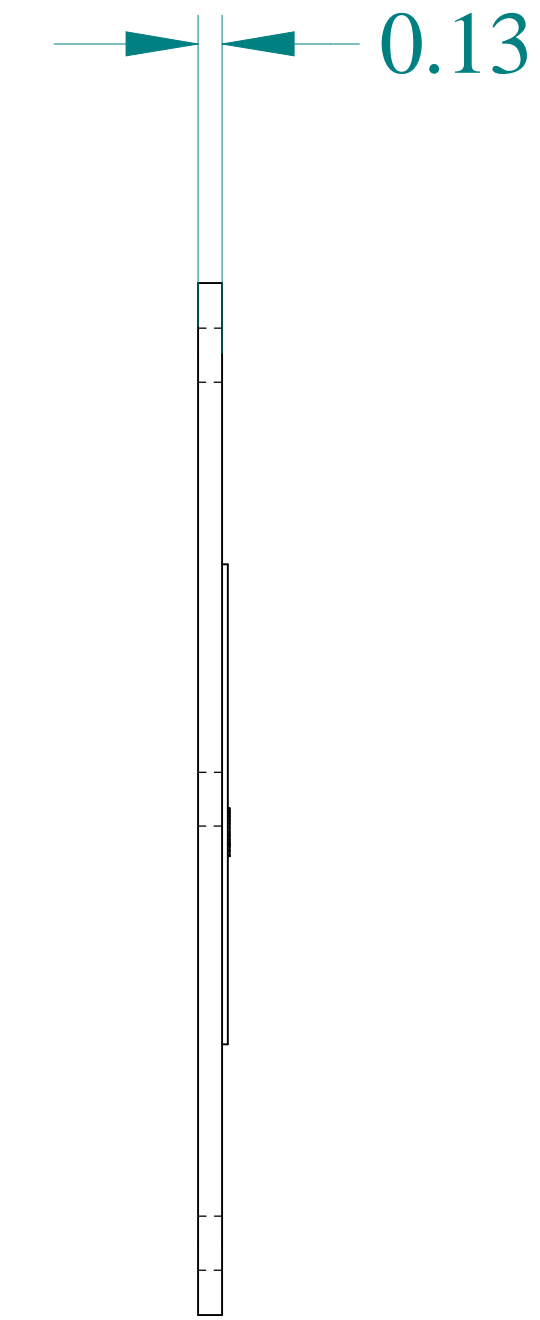
ISOMETRIC VIEWS



SIDE VIEW



FRONT VIEW



SIDE VIEW

