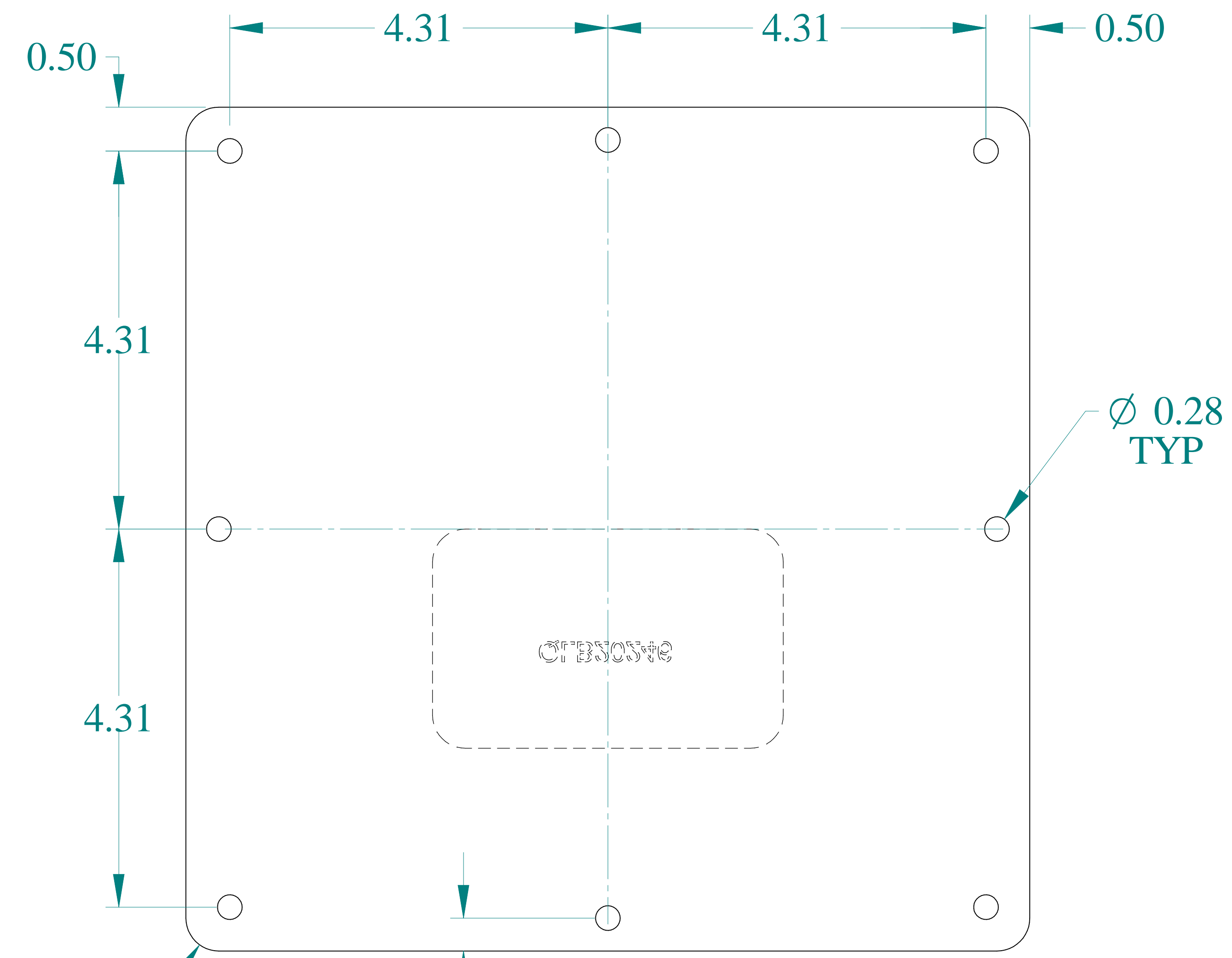
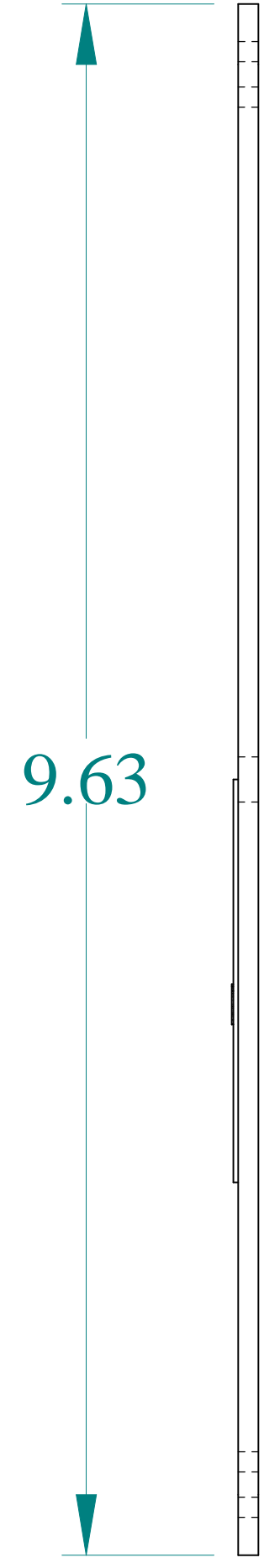


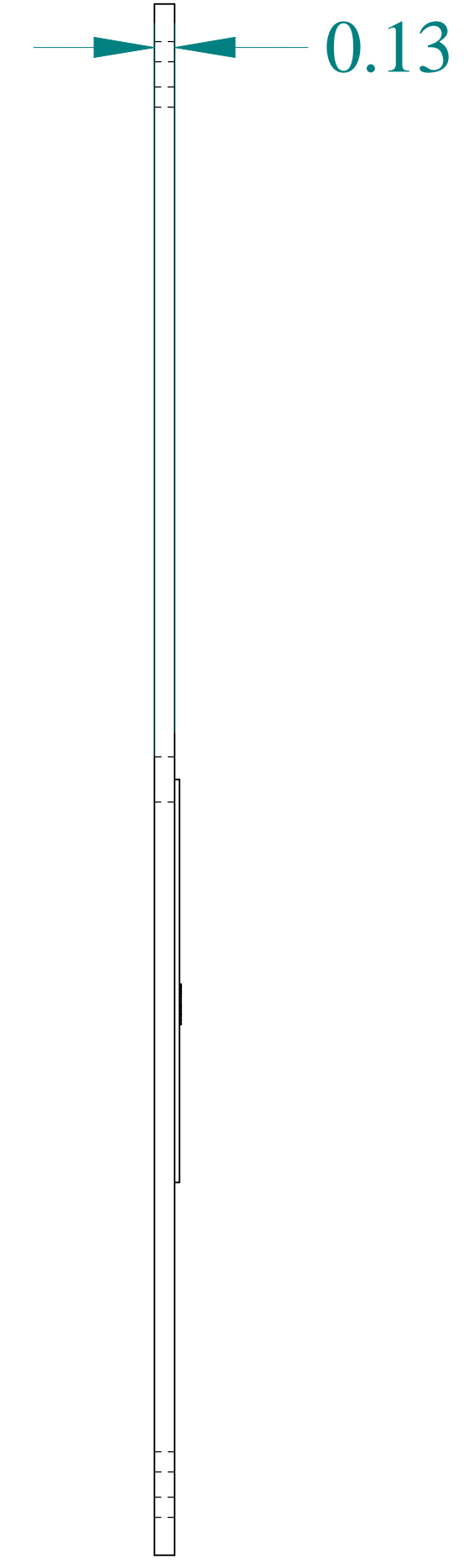
TOP VIEW



FRONT VIEW

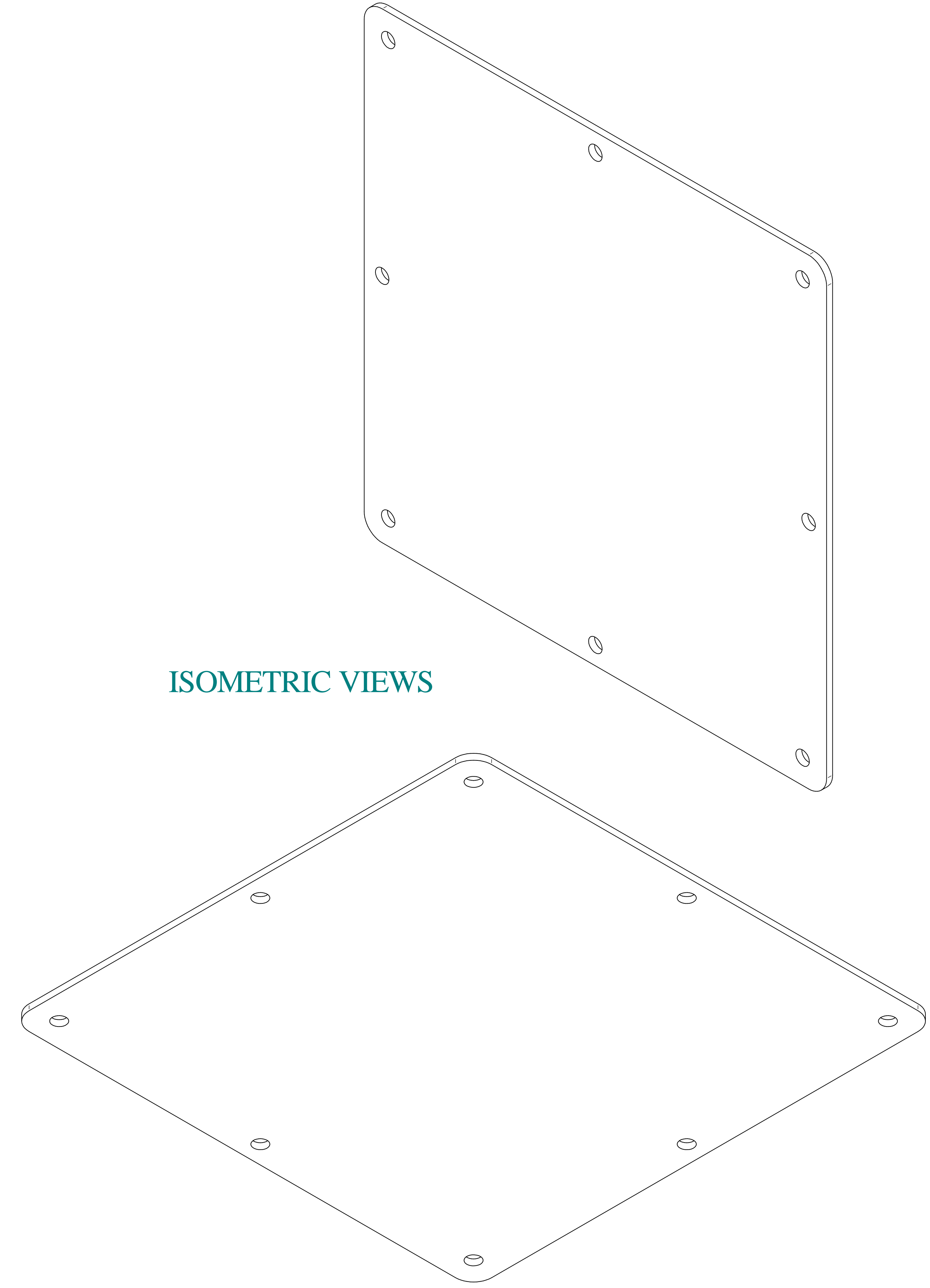


SIDE VIEW



SIDE VIEW

ISOMETRIC VIEWS



R 0.38
TYP

0.38
TYP

Ø 0.28
TYP

HAMMOND
MANUFACTURING®

www.hammondmfg.com

Data subject to change without notice.

Part # : 1487EH Date : Mar. 13, 2023

Link: www.hammg.com/1487EH