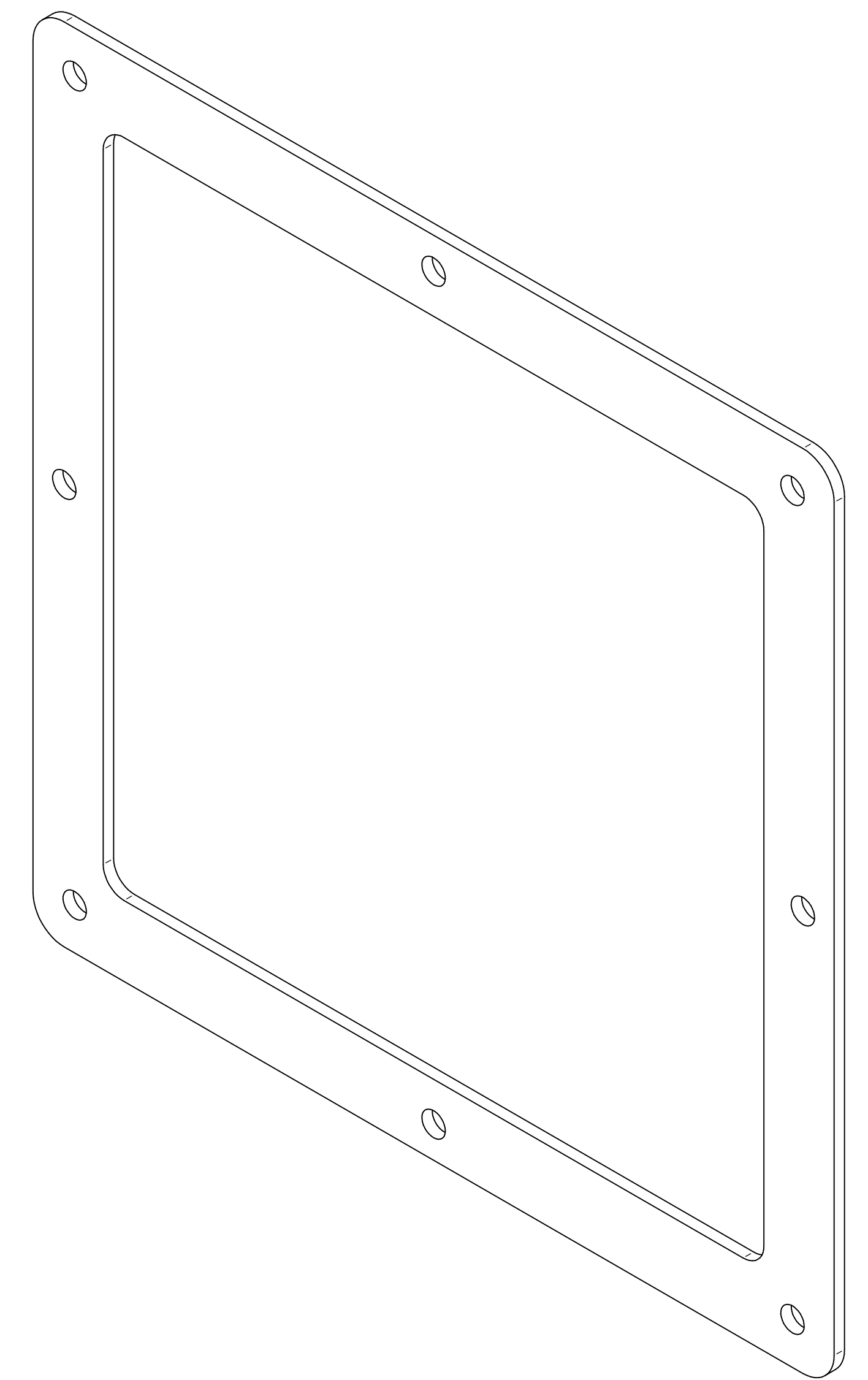
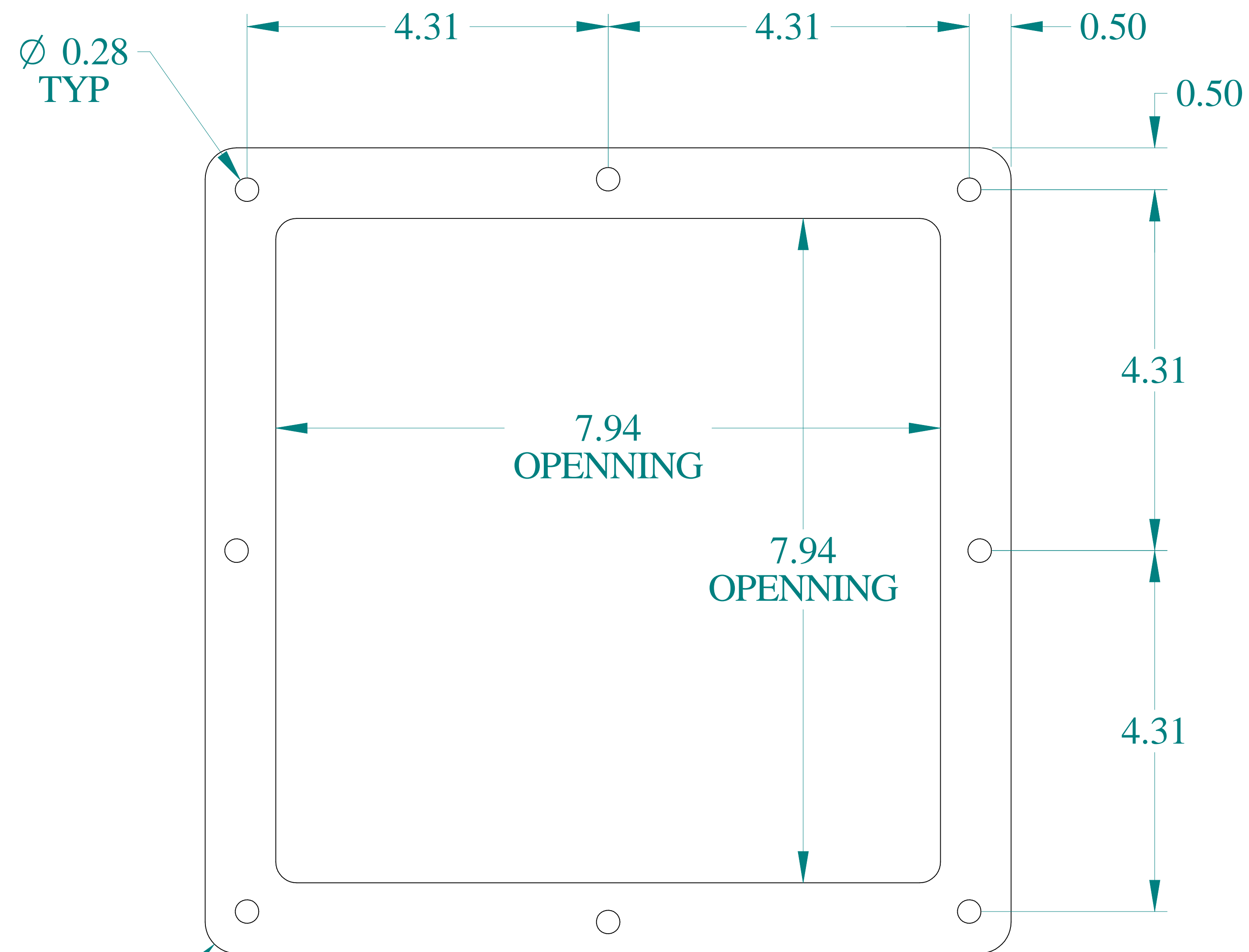




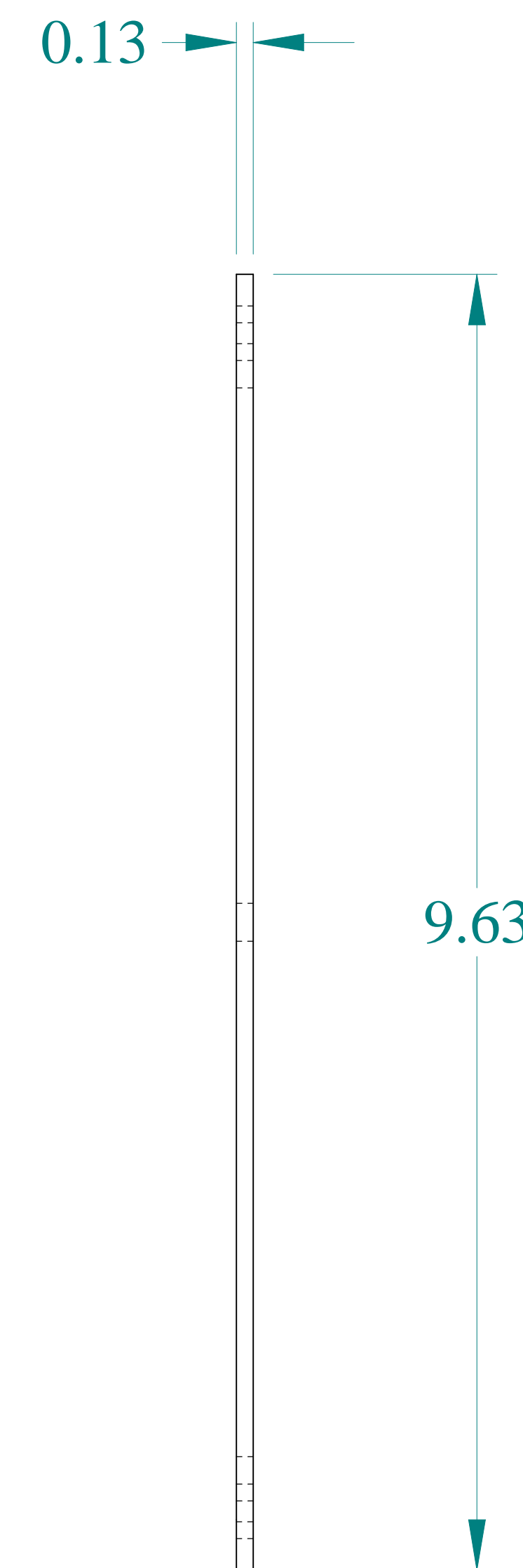
TOP VIEW



ISOMETRIC VIEW



FRONT VIEW



SIDE VIEW

R 0.38
TYP

Ø 0.28
TYP

**HAMMOND
MANUFACTURING®**
www.hammondmfg.com

Data subject to change without notice.

Part # : 1487ESSS

Date : Jul 23, 2020

[Link:www.hammg.com/1487ESSS](http://www.hammg.com/1487ESSS)