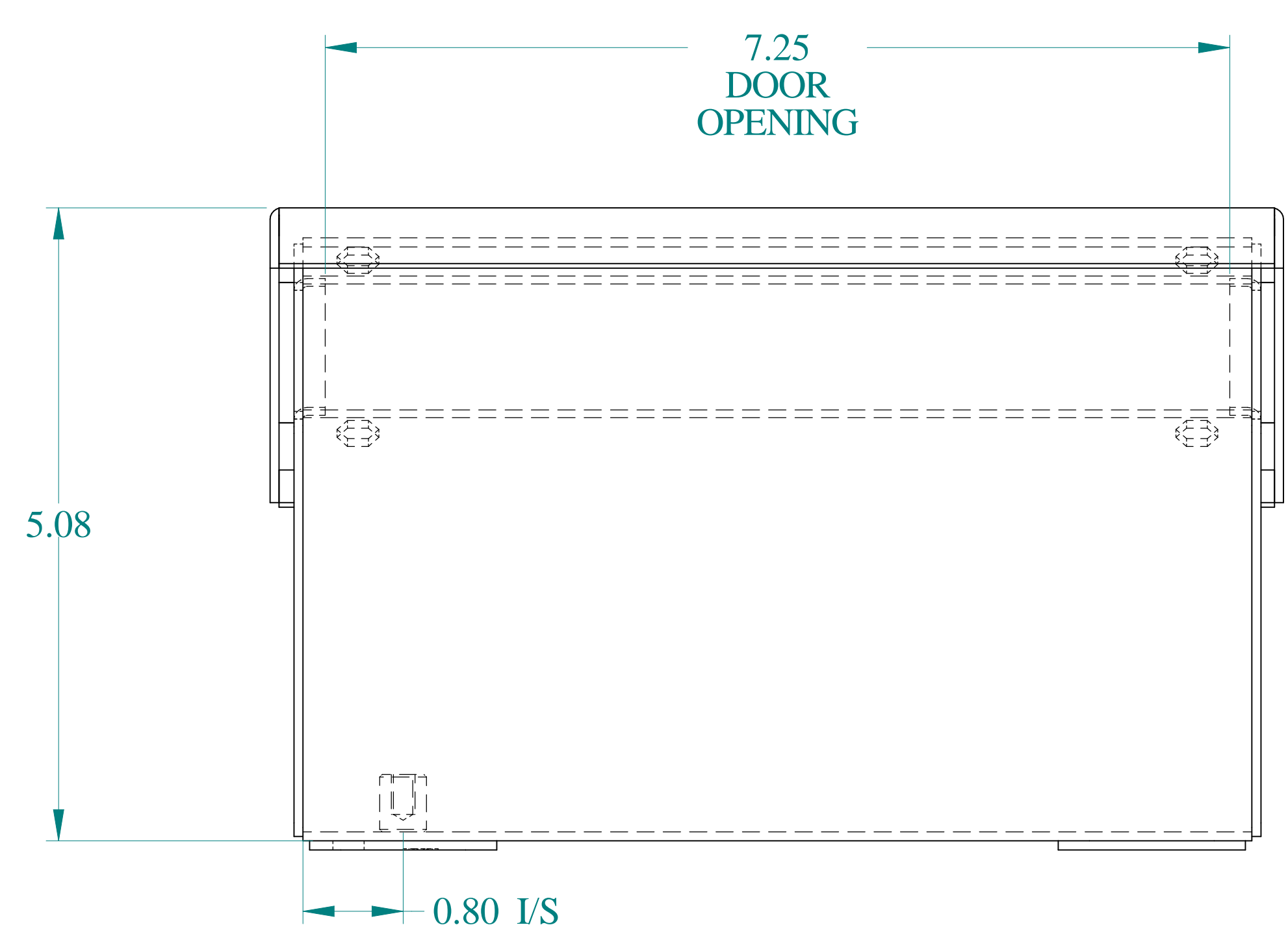
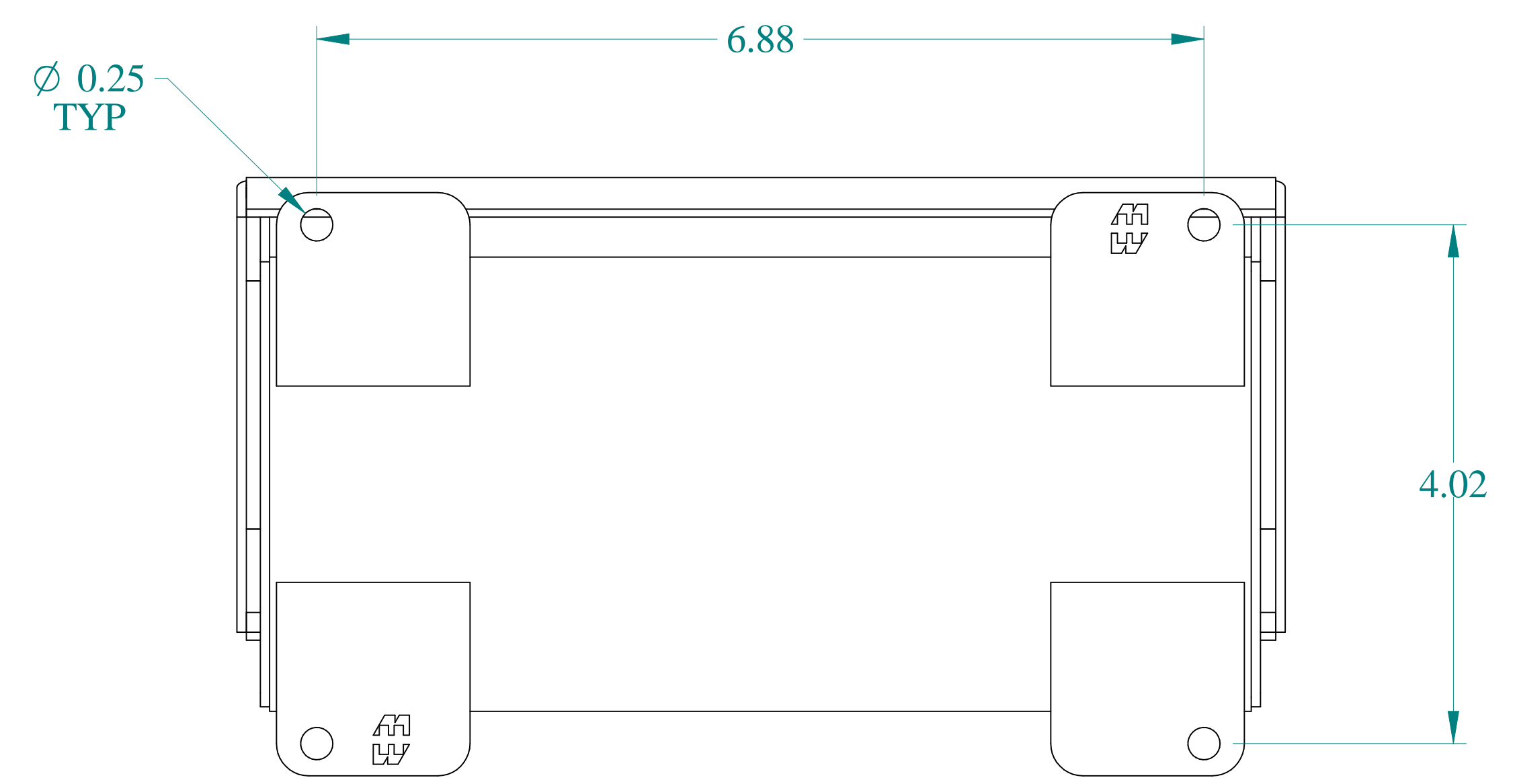
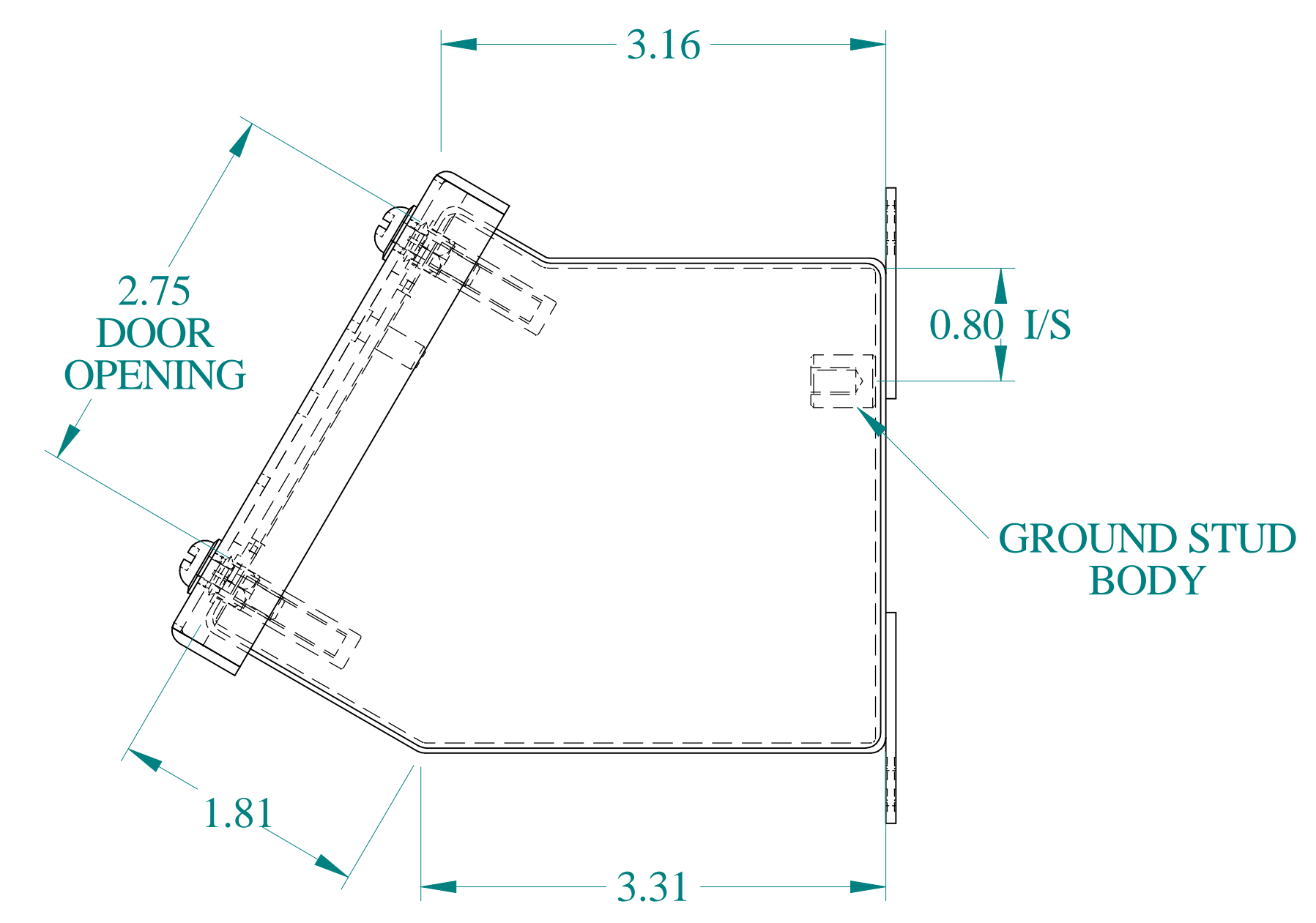
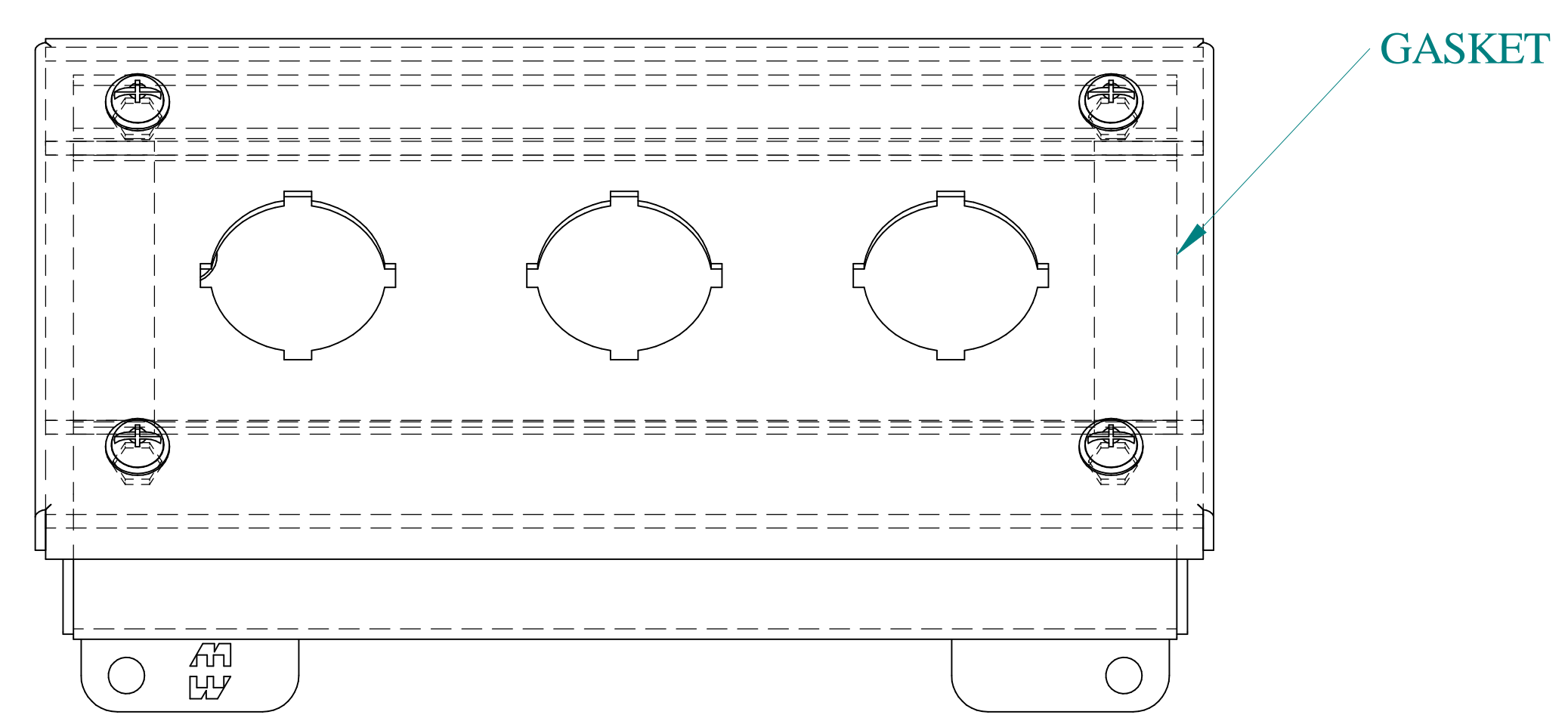
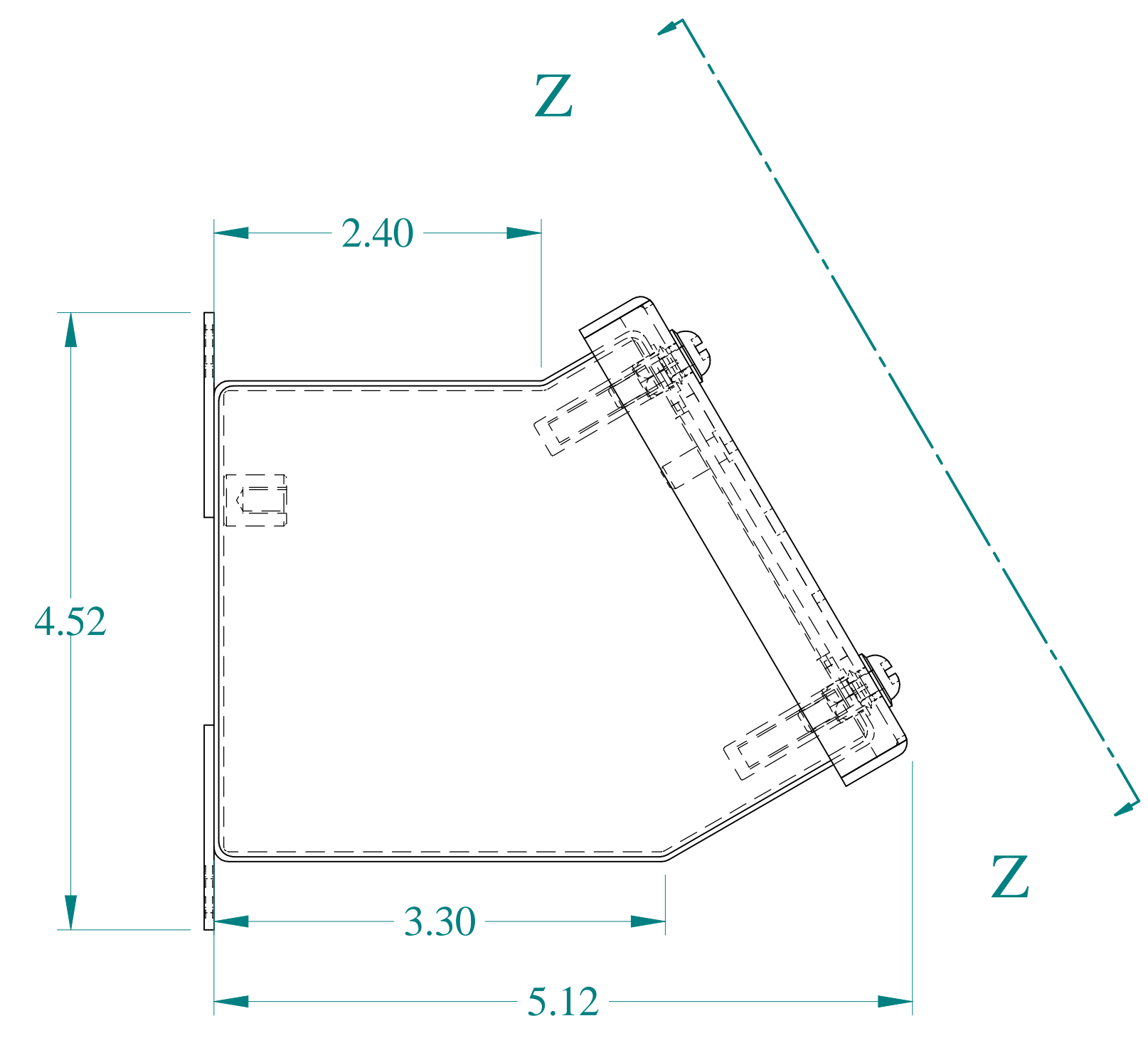
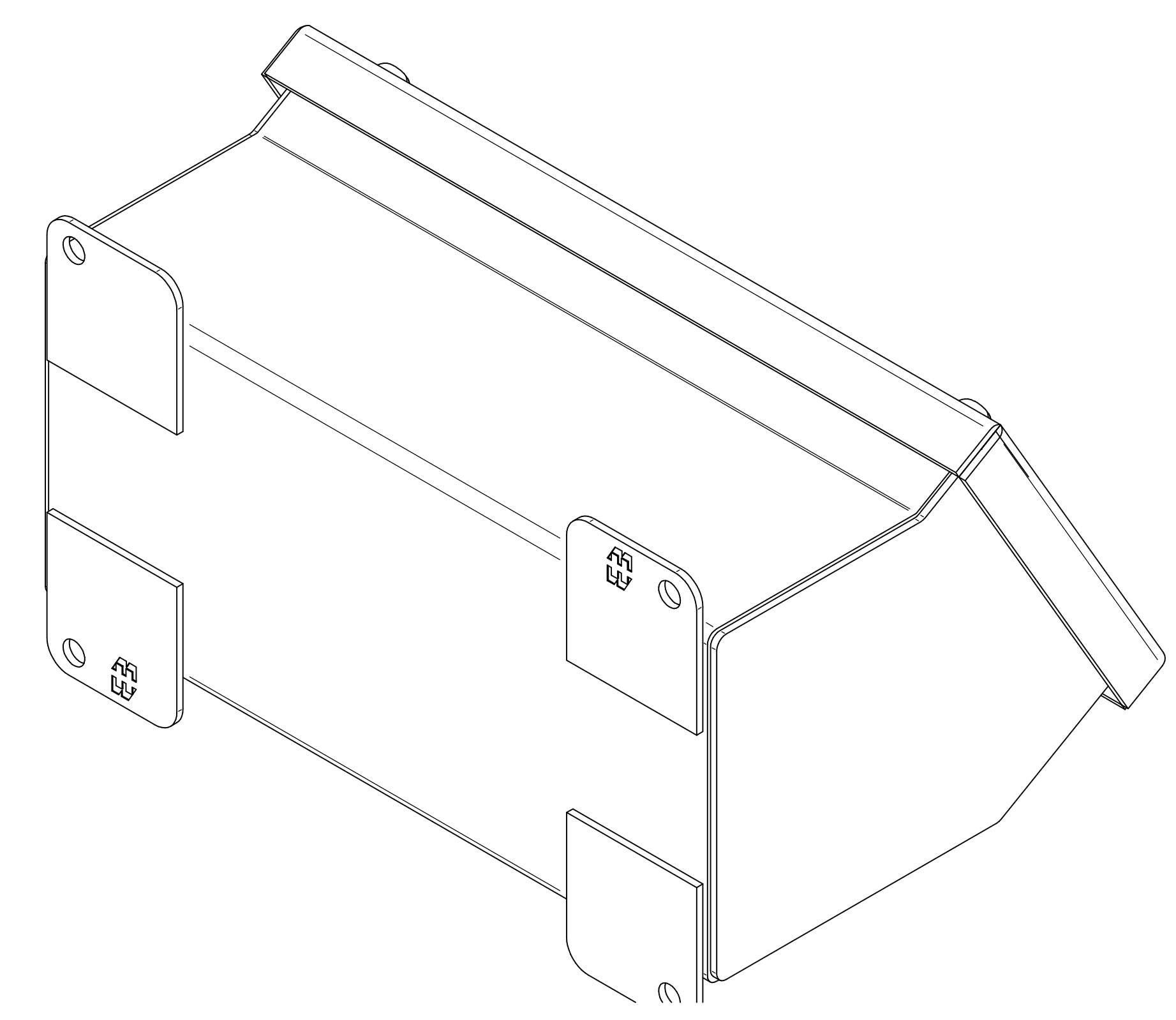


ISOMETRIC VIEWS



HAMMOND MANUFACTURING®
www.hammondmfg.com

Data subject to change without notice.

Part # : 1490D3

Date : Mar. 3, 2023

Link: www.hammg.com/1490D3