

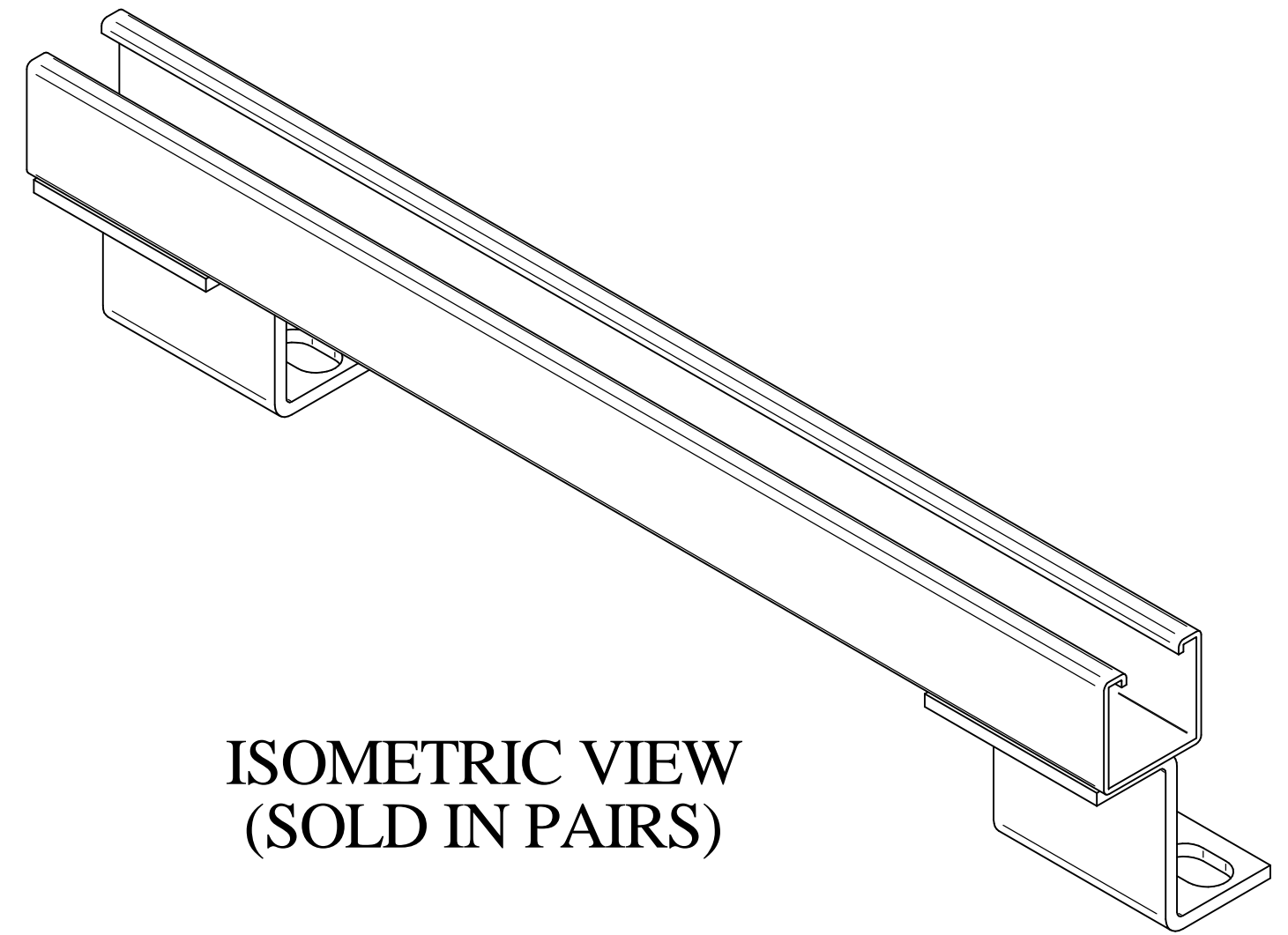
PART No. 14B10

for more information visit

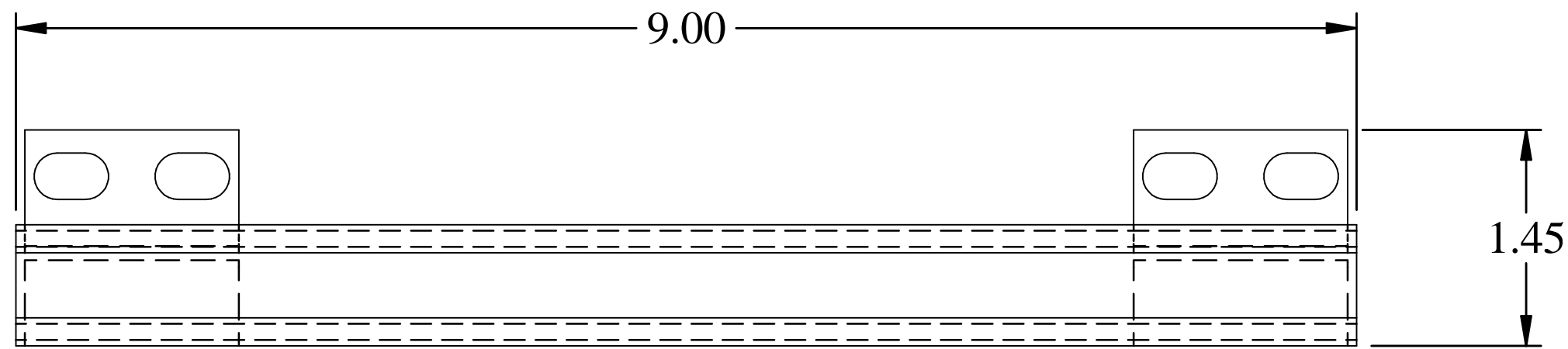
www.hammondmfg.com

Data subject to change without notice

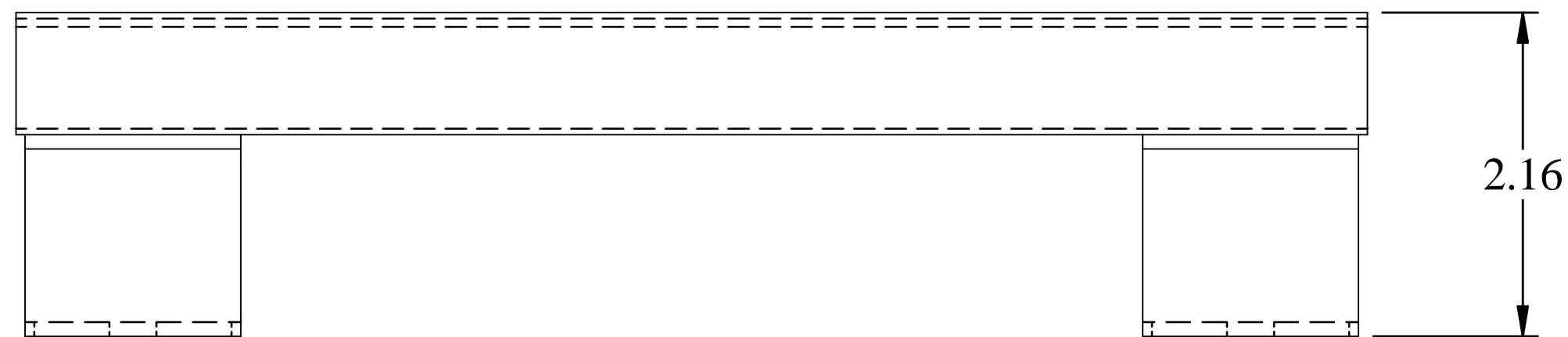
Isometric drawing Not to Scale



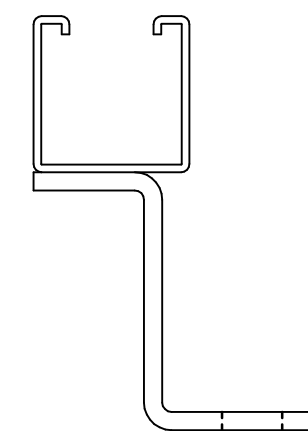
**ISOMETRIC VIEW
(SOLD IN PAIRS)**



TOP VIEW



FRONT VIEW



SIDE VIEW