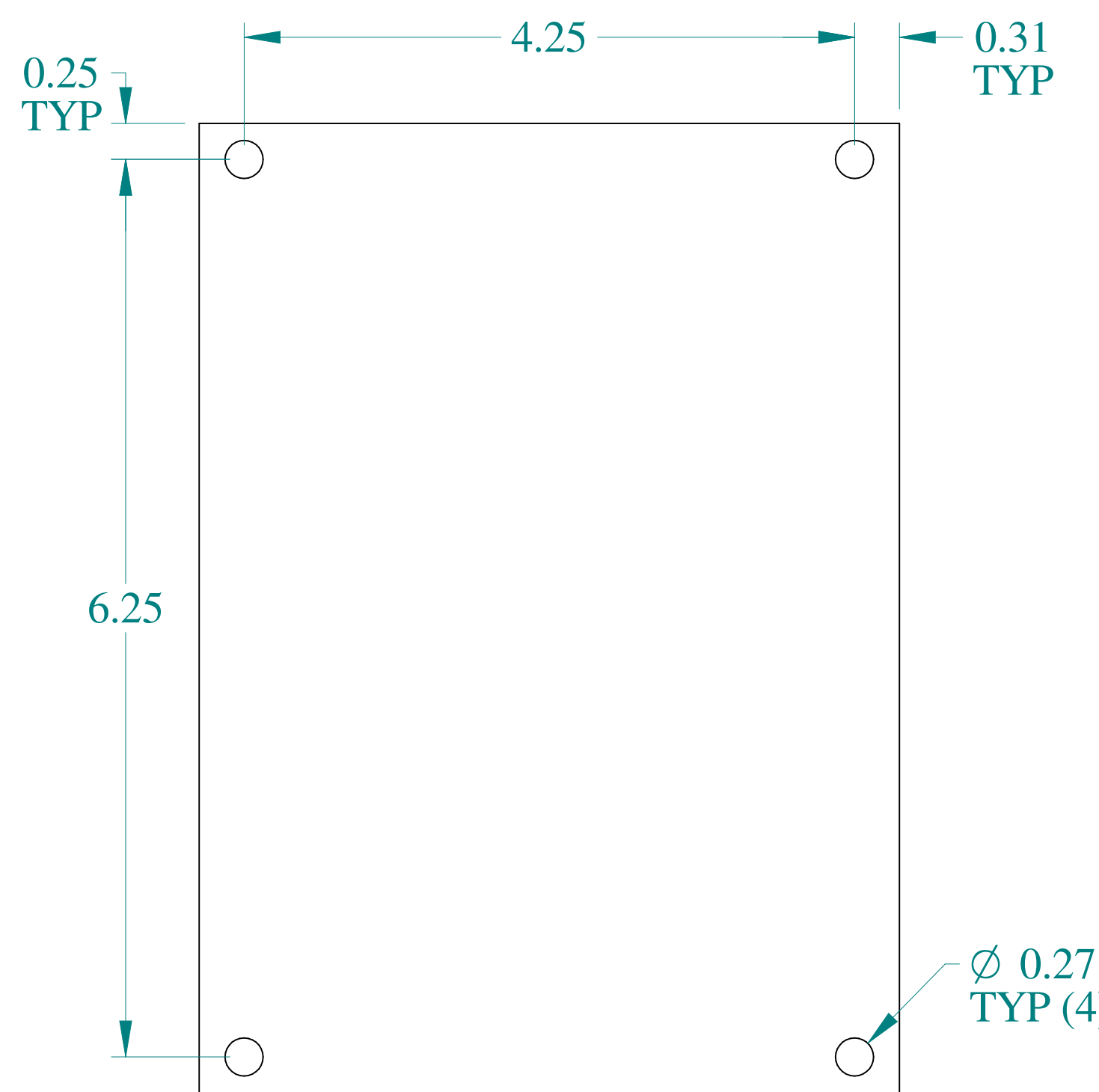


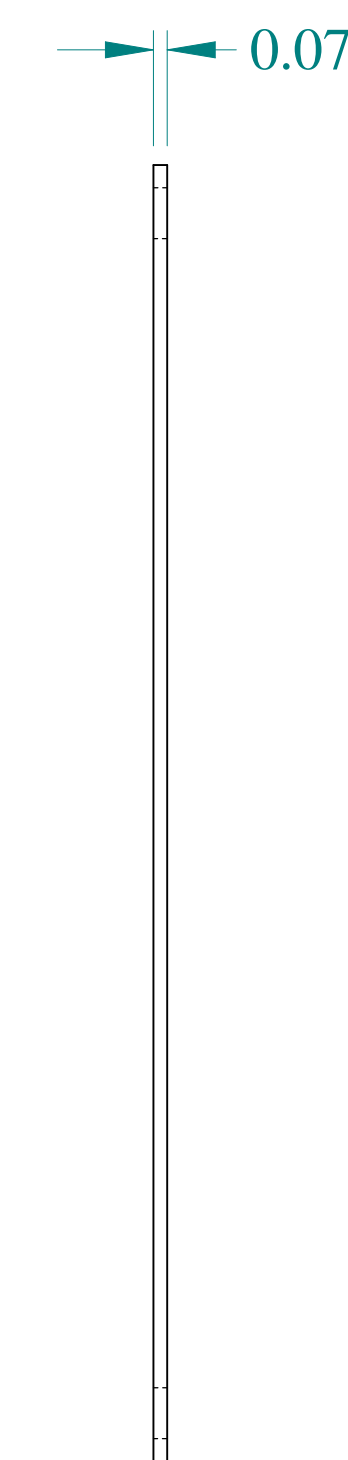
TOP VIEW



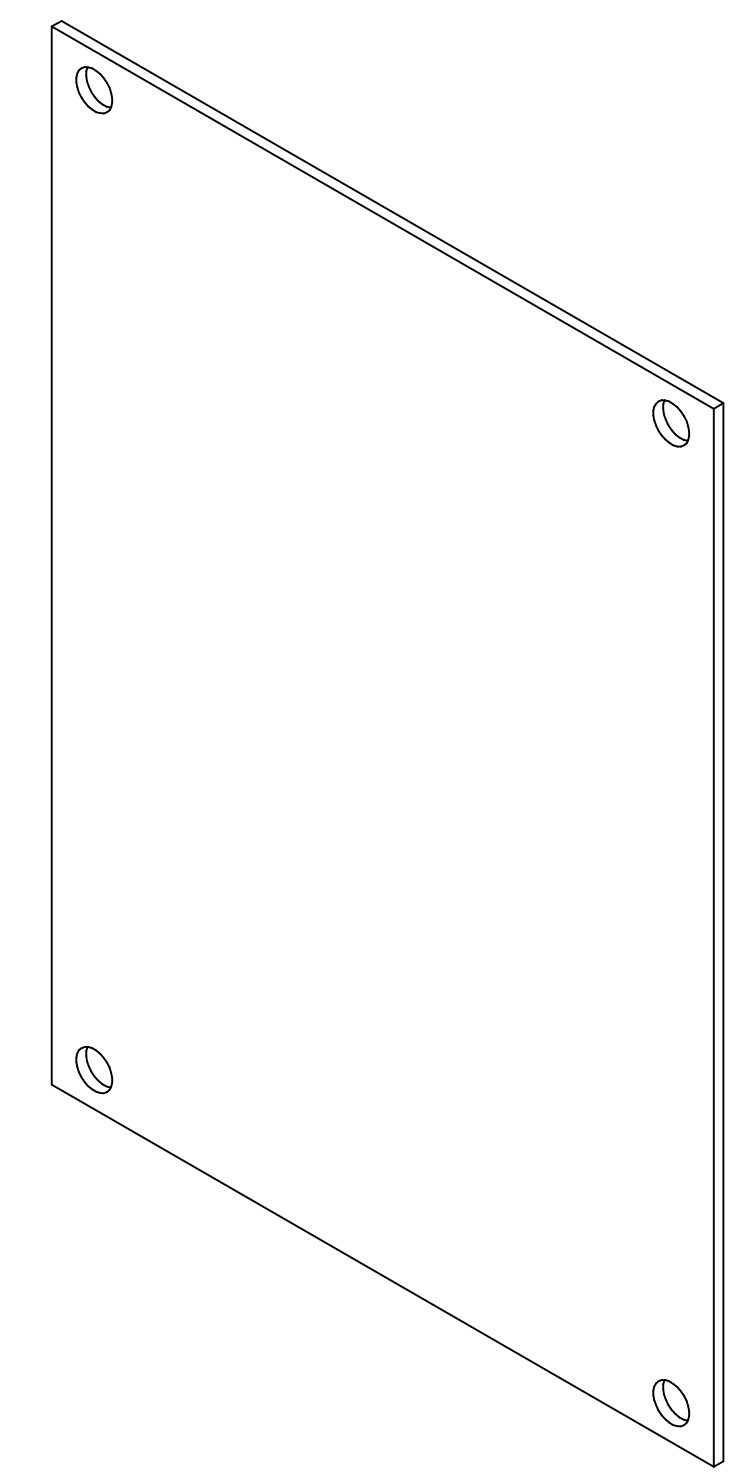
SIDE VIEW



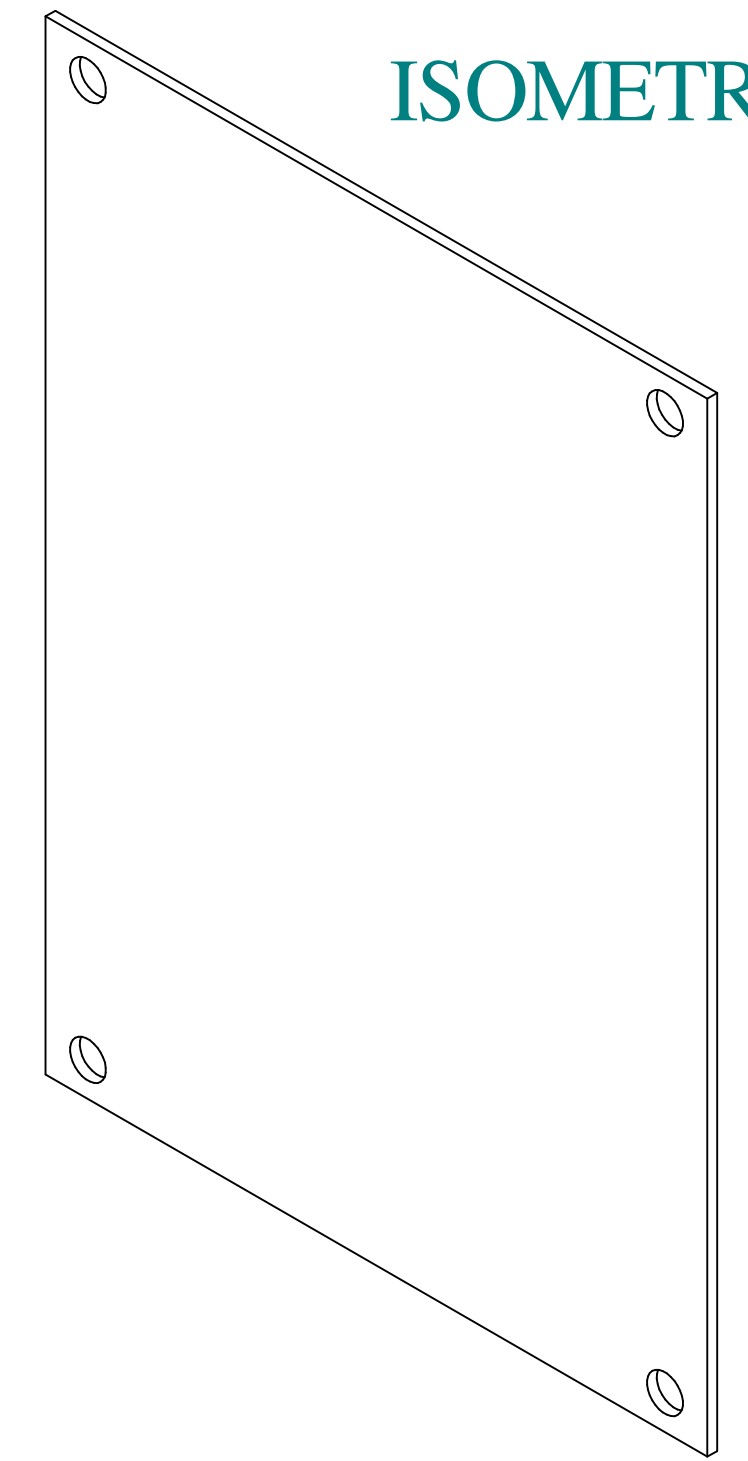
FRONT VIEW



SIDE VIEW



ISOMETRIC VIEWS



M **HAMMOND MANUFACTURING®**

W www.hammondmfg.com

Data subject to change without notice.