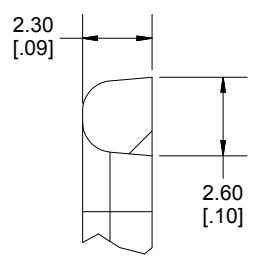
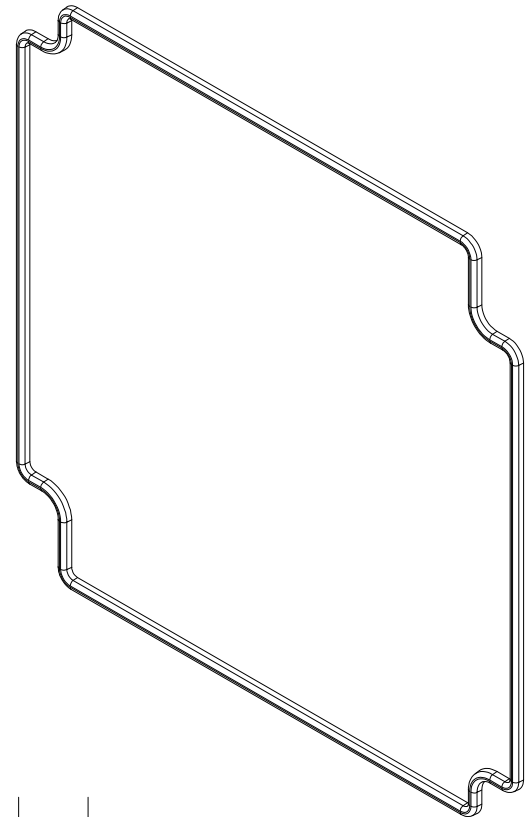


SECTION A-A



DETAIL B
SCALE 4 : 1

Enclosures can be Factory Modified (Milling, Drilling, Printing etc.)
Contact Factory mjm@hammondmg.com for quotes
Solid models of this enclosure available in STEP or IGES.

**HAMMOND
MANUFACTURING**

1550Z139G
www.hammondmg.com

Dimensions:
mm
[inches]